

Vistop 63 to 160 A Isolating switches

Catalogue number(s) : 0 225 12/15/16/18/20/22/25/27/34/39
0 225 44/46/51/53/54/56
0 223 12/15/16/18/20/22/27/34/39/51/53



CONTENTS	Page
1. Use	1
2. Range	1
3. Overall dimensions	1
4. Technical features	2
5. Conformity	2
6. Installation	2
7. Accessories	2-3

1. USE

Safety isolating switches with visible full load break and positive action of the contacts. Double breaking of the phases by self-cleaning contacts with rapid make and break movement.

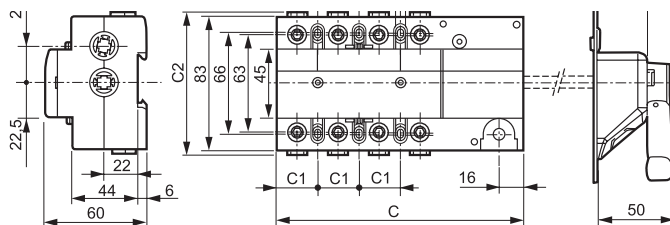
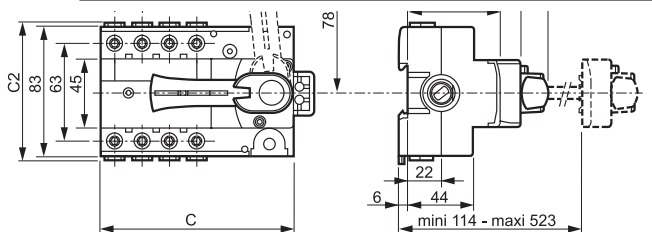
2. RANGE

- 3-pole and 4-pole 63 - 100 - 125 - 160 A
- 2 versions for mounting on faceplate :
 - with left or right side handle.
 - external : supplied complete with a seal to maintain the IP (up to IP 55) protection of the housing, mounting accessories, self-adhesive drilling template, adjustable extension shaft (30 to 170 mm).
 - direct or external front handle with Cat. No. 227 32 to be ordered separately.
 - label holder for identification
 - connection via cage terminals with PZ2 screw clamping (63A) and Allen key (100 to 160A).
 - screw fixing or on rail EN 50022 (only on rail for Vistop 63 A).
 - option of attaching a 2P – 16A auxiliary isolating switch (for 100 and 160 A ratings) and one or two auxiliary NC + NO contacts.

2. RANGE (continued)

	Number of 17.5 mm modules	
	Front handle	External right or left side handle
160 A		
Black handle		
3-pole	7.5	7.5
4-pole	9	9
Red handle/yellow faceplate		
3-pole	7.5	-
4-pole	9	-

3. OVERALL DIMENSIONS



	Number of 17.5 mm modules	
	Front handle	External right or left side handle
63 A		
Black handle		
3-pole	7	7
4-pole	7	7
Red handle/yellow faceplate		
3-pole	7	7
4-pole	7	7
100 A		
Black handle		
3-pole	7.5	7.5
4-pole	9	9
Red handle/yellow faceplate		
3-pole	7.5	-
4-pole	9	9
125 A		
Black handle		
3-pole	7.5	7.5
4-pole	9	9
Red handle/yellow faceplate		
3-pole	7.5	-
4-pole	9	-

	Front handle			External side handle		
	63 A		100 A, 125 A, 160 A	63 A		100 A, 125 A, 160 A
	3-, 4-poles	3P	4 P	3-, 4-poles	3 P	4 P
C	125	133	160	125	133	160
C ₁	17.7	26.7		17.7	26.7	
C ₂	91	91		91	91	

Vistop 63 to 160 A Isolating switches

Catalogue number(s) : 0 225 12/15/16/18/20/22/25/27/34/39
0 225 44/46/51/53/54/56
0 223 12/15/16/18/20/22/27/34/39/51/53

4. TECHNICAL FEATURES

	Vistop				Isolating switch 16 A	
	63 A	100 A	125 A	160 A		
Thermal rating (Ith)	63 A	100 A	125 A	160 A		
Terminals	cage	cage	cage	cage	cage	
con- nection	Cu (flexible)	4 to 35 ²			4 to 50 mm ⁶ 2	
	Cu (rigid)	4 to 50 ²			4 to 70 mm ⁶ 2	
Insulation voltage (Ui)	690 V ac	800 V ac	800 V ac	800 V ac	400 V ac	
Impulse withstand voltage (Uimp)	8 Kv ac	8 Kv ac	8 Kv ac	8 Kv ac	-	
	400 V	63 A (35 kW)	100 A (55 kW)	125 A (70 kW)	160 A (88 kW)	16 A
AC 22 A	500 V	63 A (44 kW)	100 A (69 kW)	125 A (87 kW)	160 A (110 kW)	-
AC 23 A ⁽¹⁾	690 V	40 A (38 kW)	100 A (96 kW)	125 A (120 kW)	125 A (120 kW)	-
DC 22 A/250 V ⁽¹⁾⁽²⁾	*	100	125	125	16 A	
DC 23 A/250 V ⁽¹⁾⁽²⁾	*	100	125	125	10 A	
Breaking capacity (kA peak)	15	15	15	15	2	
1 s resistant current (kA efficacy) (Icw)	2.5	3.5	3.5	3.5	0.3	
Icc with fuses (kA rms)	100	100	100	80	100	
Max rating of fuses	63 A	100 A (gG) 63 A (aM) ⁽³⁾	125 A (gG) 125 A (aM) ⁽³⁾	160 A (gG) 125 A (aM)	-	
Short-circuit capacity (kA prospective peak) (Icm)	7	12	12	12	1	
Mechanical endurance (No. of operations)	> 30 000	> 30 000	> 30 000	> 30 000	> 30 000	
Index of protection	IP 2x B IP 3x C under faceplate) à partir de 6 ²	IP 2x B (IP 3x C under faceplate) from 10 ²				

(1) Test conditions in accordance with IEC 60947-3

AC = alternating current DC = direct current A = use with frequent operations

AC 22 A/DC 22 A: resistive motor breaking

AC 23 A/DC 23 A: inductive motor breaking

(2) Number of breaking contacts: 2

(3) 100 A (aM) in blade-type cartridge fuses

(4) Values correspond to the device mounted on Vistop 100 - 125 - 160 A

Consumption when hot at rated current according to IEC 947.1

Rating	Consumption
63 A	0.8 W
100 A	2.1 W
125 A	3.3 W
160 A	5.3 W

Storage temperature: - 10°C to + 70°C.

Operating temperature: - 5°C to + 70°C.

Materials:

- Casing in polyamide 960°C

- Indicator light in polycarbonate 750°C

5. CONFORMITY

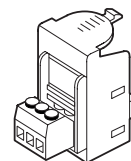
Conform to standards NF C 63-130, NF EN 60943-3, IEC 60947-3, BS EN 60947-3, VDE 0660, NBN EN 60947-3, CNOMO E03 - 15-611 R, Veritas approved

6. INSTALLATION

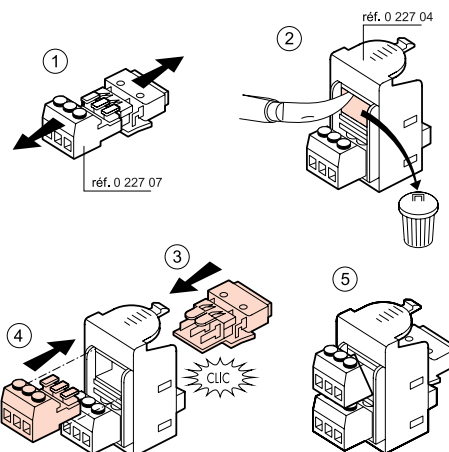
- Fixing
- Vistop 63 A: fixing on rail
- Vistop 100 - 125 - 160 A: Screw-fixing or on rail with bistable claws with locking
- Connection in cage terminals :
 - 63A : PZ2, tightening at 2,8Nm maxi
 - 100 - 125 - 160A : Allen key, tightening at 6Nm maxi

7. ACCESSORIES

0 227 04 Contact 0 + C



0 227 07 Additional NO + NC auxiliary contact, adds to the 227 04 for 2 N/C + 2 N/O mounting



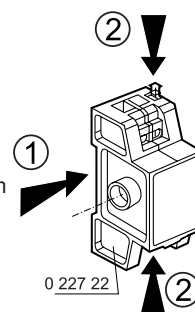
0 227 22 Auxiliary isolating switch 2P 16A 400 V.

Cage terminals

1.5 module

For creating 3 or 4-pole assemblies 100, 125 and 160 A, + 2-pole 16A

Enables simultaneous breaking of 2-pole auxiliary power supply, 16 A maximum
Mounts on the left side of Vistop 100 to 160 A



0 227 98 Set of two divisible, sealable terminal shields

Prevents access to the connection and fixing screws for application of commercial sector tariff (Vistop 100 to 160 A)



7. ACCESSORIES (continued)

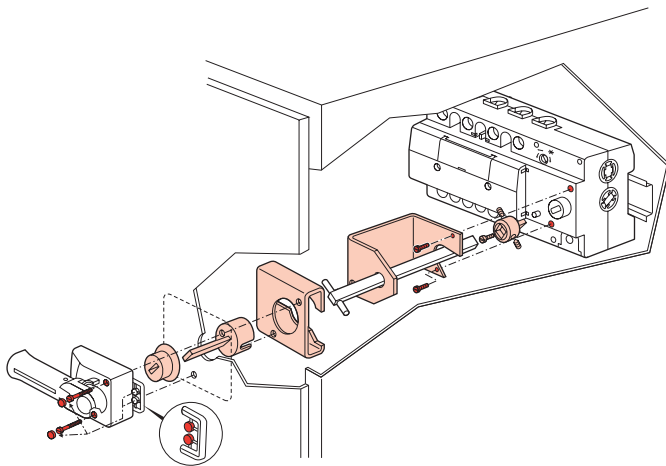
0 048 67 Distribution terminal – 6 outputs, 25 mm² mounts directly in the downstream terminal of the Vistop



0 227 32 External front handle

Kit comprising: connecting rod, bracket, self-adhesive drilling template, mounting accessories including a seal for maintaining IP 55 protection of the housing, and locking mechanism preventing the door being opened when the circuit is closed.

For Vistop 63, 100, 125 and 160 A : door distance 35 to 470 mm.



0 227 97 Security padlock supplied with two keys

(different key combination for each padlock).

Shackle \varnothing 6 mm

