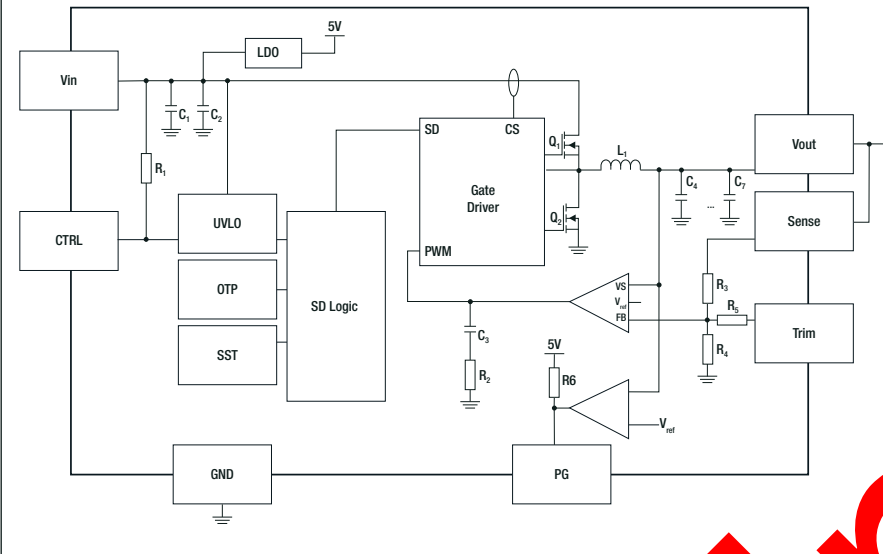


Specifications (@ Ta= 25°C, nom. Vin= 24VDC, full load, with input cap⁽³⁾, after warm-up unless otherwise stated)

BLOCKDIAGRAM



Component List

Vout _{nom}	R3	R4	R5
3.3VDC		43.2kΩ	
5VDC	100kΩ	50kΩ	1kΩ
12VDC		9.09kΩ	
15VDC	90.9kΩ	6.49kΩ	

Vout _{nom}	L1	C2	C4-C7
3.3VDC			
5VDC	3.3μH	1μF, in parallel	10μF, in parallel
12VDC			
15VDC	3.3μH		

PACKAGING INFORMATION

Parameter	Type	Value
Packaging Dimension (LxWxH)	tape and reel	330.2 x 330.2 x 30.4mm
	tape and reel (carton)	365.0 x 365.0 x 55.0mm
	tube ("CT")	530.0 x 30.3 x 19.2mm
Packaging Quantity	tape and reel	500pcs
	tube ("CT")	30pcs
Tape Width		24mm
Storage Temperature Range		-55°C to +125°C
Storage Humidity	non-condensing	95% RH max.

The product information and specifications may be subject to changes even without prior written notice. The product has been designed for various applications; its suitability lies in the responsibility of each customer. The products are not authorized for use in safety-critical applications without RECOM's explicit written consent. A safety-critical application is an application where a failure may reasonably be expected to endanger or cause loss of life, inflict bodily harm or damage property. The applicant shall indemnify and hold harmless RECOM, its affiliated companies and its representatives against any damage claims in connection with the unauthorized use of RECOM products in such safety-critical applications.