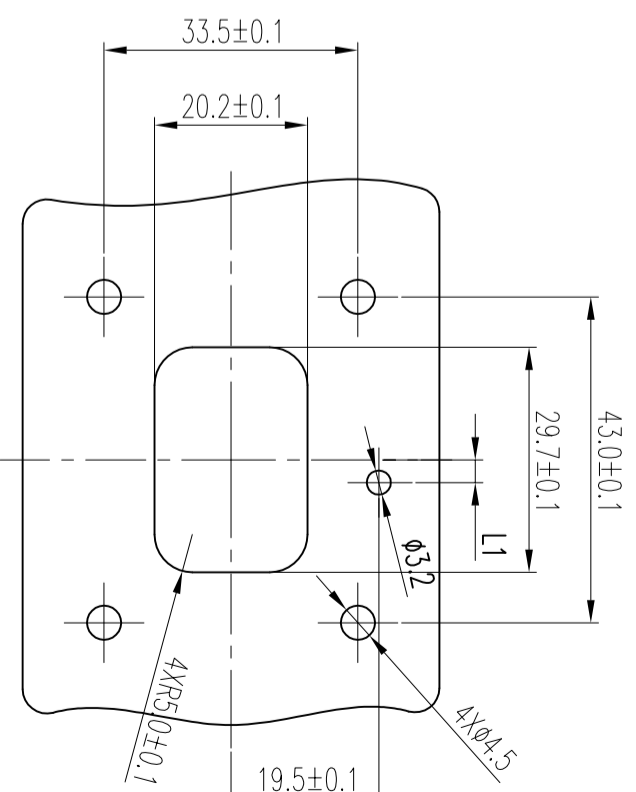
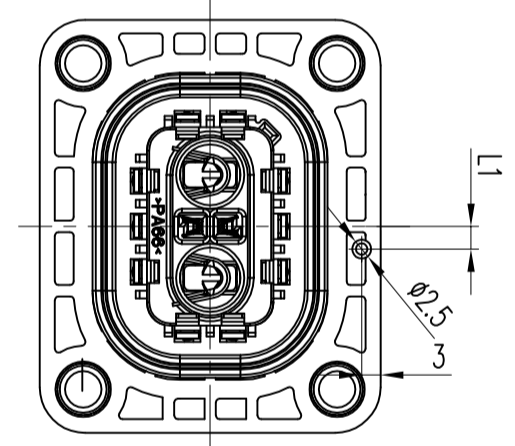
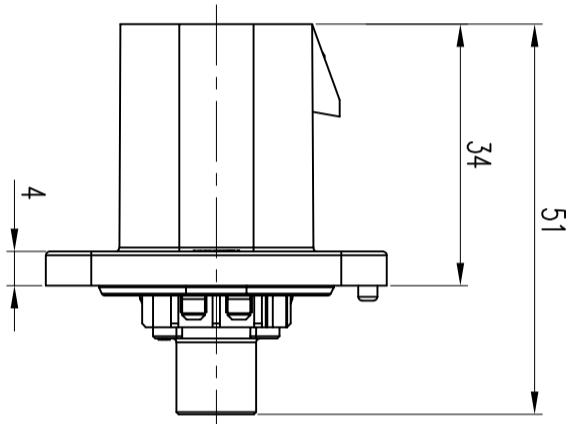
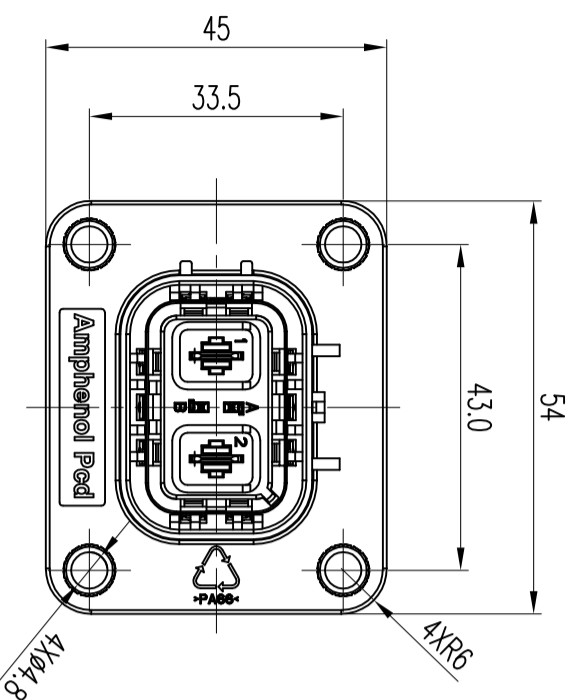


Amphenol PCD SZ
ORIGINAL
PDF Format
02 Dec. 13R&D



KEY	A	B	C	D	E
L1 (Receptacle)	0	3	6	-3	-6
(Mounting panel)	0	-3	-6	3	6

REV	ECN	DESCRIPTION	DATE	MODIFIED
1		PRE-RELEASE	2013.09.16	
2		UPDATE	2013.11.01	G.TANG
3		UPDATE	2013.12.01	G.TANG

C-HVSL 630 02 2 X

C-HVSL 630 02 2 X

C-HVSL 630 02 2 X

***TECHNICAL PARAMETERS**

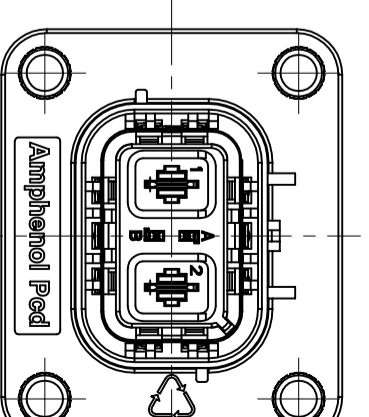
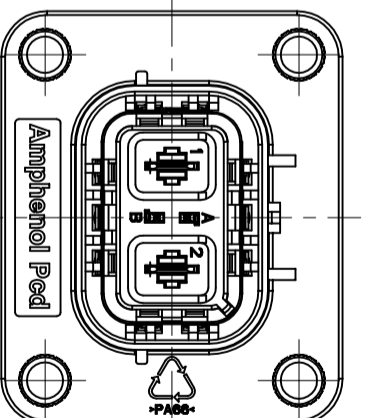
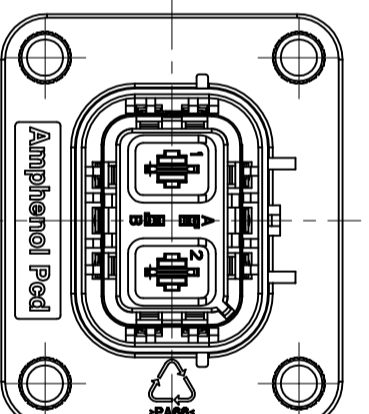
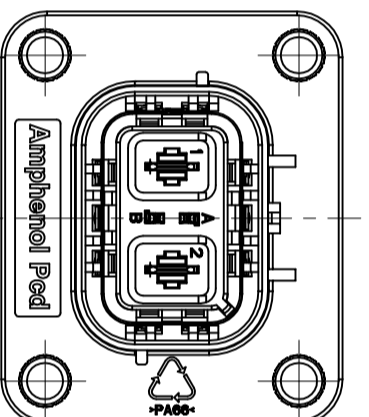
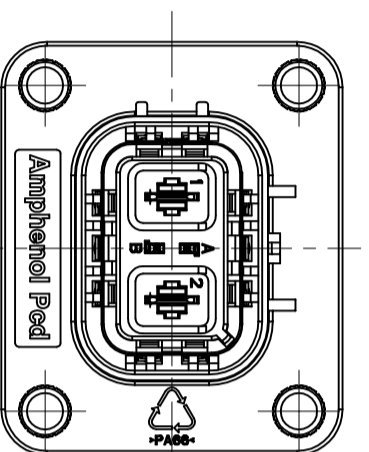
Material
Housing : PA66 UL94-V0
Contacts: Copper alloy, Silver plated
Shield: Copper alloy
Seal: Silicone

Mechanical data
Operating Temperature:-40°C~+125°C
Durability: 30 cycles
Contact Type: Crimping
IP67,JP2XB

Electrical data
Withstand Voltage:3000V AC r.m.s
Rated Current : 23A(4mm² cable)
40A(6mm² cable)
Rated Voltage:630V
Insulation Resistance: >200MΩ
Contact Resistance: < 2mΩ
Suited to fit 4~6mm² cable
Shielded

***NOTES:**
1.Default PACKING ARE NOT INCLUDING CONTACT FOR NOT CONNECTING CABLE, FOR CORRECT SELECTION PLEASE REF. TABLE BELOW.

OPTION FOR CONTACT SELECTION	
MAIN CONTACT	HHL CONTACT
C310003622	C310003613



KEY A
HVSL 630 02 2 A

KEY B
HVSL 630 02 2 B

KEY C
HVSL 630 02 2 C

KEY D
HVSL 630 02 2 D

KEY E
HVSL 630 02 2 E

DIMENSIONS	TOLERANCES	PROJECTION
ANSI Y14.5M UNITS: MM CAD FILE	X ± 0.1 .XX ± 0.02 ANGLES ± 0.5°	

Amphenol Pcd Shenzhen	
ENGR	G.TANG
CHKD	
APPD	

TITLE		
HVSL630		
RECEPTACLE ASSEMBLY		

ORIGINAL NOT FOR CUSTOMER DISTRIBUTION	THIS DOCUMENT CONTAINS PROPRIETARY INFORMATION WHICH IS THE CONFIDENTIAL PROPERTY OF AMPHENOL PCD SHENZHEN
---	---

SIZE	DWG NO.
A3	C-HVSL 630 02 2 X

CODE:	SCALE	SHEET	REV
	1:1	1 OF 1	3