

### Bolt connector



- ▶ For the right-angled connecting of two profiles
- ▶ Suitable for heavy loads, including torsional loads
- ▶ Can be mounted in closed frames
- ▶ Profile finishing: through-hole D11, D17

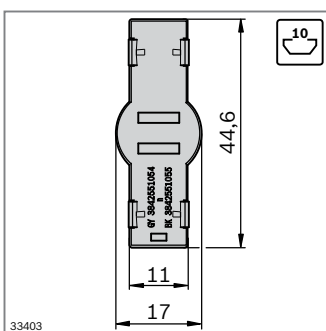
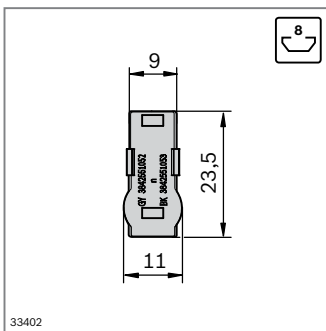
Technical data (p. 19-7)

Accessories:

Drilling jig (p. 14-2)

Optional accessories:

Cover cap, ESD

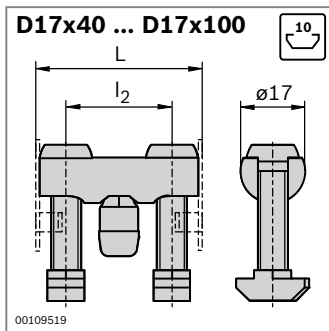
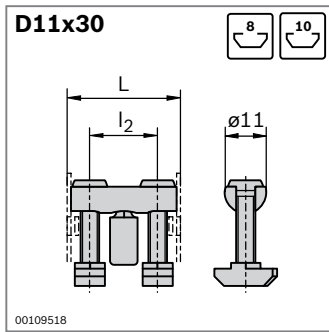


Cover cap	Color	ESD	No.
D11 x 23.5	Signal gray	100	3 842 551 052
D11 x 23.5	Black	100	3 842 551 053

Material: PP

Cover cap	Color	ESD	No.
D17 x 44.6	Signal gray	100	3 842 551 054
D17 x 44.6	Black	100	3 842 551 055

Material: PP



Bolt connector	P1 / P2	L (mm)	l <sub>2</sub> (mm)	ESD	No.
<b>D11x30</b>	8 / 8	30	18	⚡*	10 <b>3 842 554 402</b>
	8 / 10	30	18	⚡*	10 <b>3 842 555 590</b>

Material: Bolt connector: steel; galvanized  
Centering pin, caps: PP, signal gray  
\* Bolt connector creates conductive connection, but the cover caps included in the set are not ESD-compatible.

Scope of delivery:

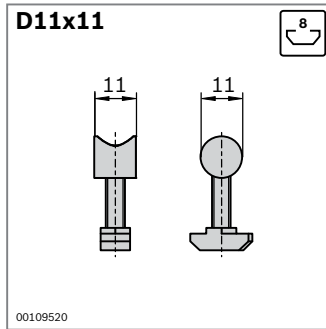
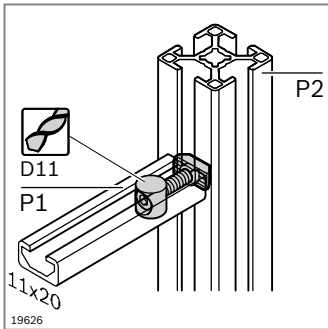
Bolt connector	P1 / P2	L (mm)	l <sub>2</sub> (mm)	ESD	No.
<b>D17x40</b>	10 / 10	40	23	⚡*	10 <b>3 842 555 594</b>
<b>D17x45</b>	10 / 10	45	28	⚡*	10 <b>3 842 555 584</b>
<b>D17x50</b>	10 / 10	50	33	⚡*	10 <b>3 842 555 596</b>
<b>D17x60</b>	10 / 10	60	43	⚡*	10 <b>3 842 555 586</b>
<b>D17x80</b>	10 / 10	80	63	⚡*	10 <b>3 842 555 598</b>
<b>D17x90</b>	10 / 10	90	73	⚡*	10 <b>3 842 555 588</b>
<b>D17x100</b>	10 / 10	100	83	⚡*	10 <b>3 842 555 592</b>

Material: Bolt connector: steel; galvanized  
Centering pin, caps: PP, signal gray  
\* Bolt connector creates conductive connection, but the cover caps included in the set are not ESD-compatible.

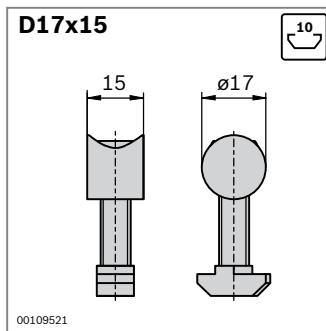
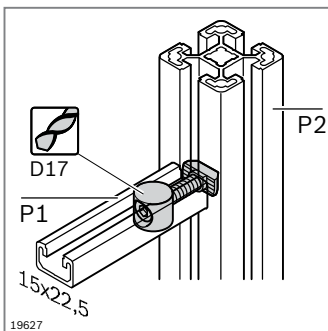
Scope of delivery: incl. 2 x cover caps

Size			
30	2500 N	60 Nm	20 Nm
40	4000 N	180 Nm	40 Nm
45	4000 N	180 Nm	60 Nm
50	4000 N	200 Nm	65 Nm

Size			
60	4000 N	200 Nm	80 Nm
80	5000 N	800 Nm	170 Nm
90	5000 N	800 Nm	200 Nm
100	5000 N	1000 Nm	480 Nm



Bolt connector	P1 / P2	ESD	No.
<b>D11x11</b>	8 / 8		10 <b>3 842 535 617</b>
Material: steel; galvanized			



Bolt connector	P1 / P2	ESD	No.
<b>D17x15</b>	10 / 10		10 <b>3 842 535 619</b>
Material: steel; galvanized			