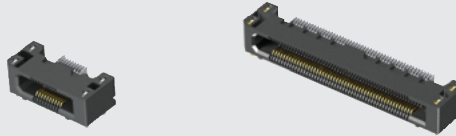




ERF5-050-01-L-D-RA-TR



ERF5-010-01-L-D-RA-TR



ERF5-010-05.0-L-DV-K-TR

(0,50 mm) .0197"

ERF5, ERF5-RA SERIES

RUGGED HIGH SPEED SOCKET

Mates with:
ERM5

SPECIFICATIONS

For complete specifications and recommended PCB layouts see www.samtec.com?ERF5 or www.samtec.com?ERF5-RA

Insulator Material:

Black LCP

Terminal Material:

BeCu

Plating:

Au or Sn over

50µ" (1,27 µm) Ni

Current Rating (-DV to -DV):

1.5 A per pin

(1 pin powered per row)

Current Rating (-DV to -RA):

1.6 A per pin

(1 pin powered per row)

Operating Temp Range:

-55°C to +125°C

Voltage Rating:

194 VAC mated with ERM5

RoHS Compliant:

Yes

Processing:

Lead-Free Solderable:

Yes

SMT Lead Coplanarity:

(0,10 mm) .004" max (010-040)

(0,13 mm) .005" max (050-075)

RECOGNITIONS

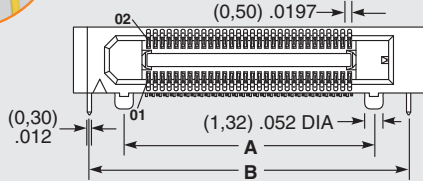
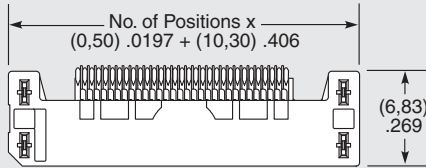
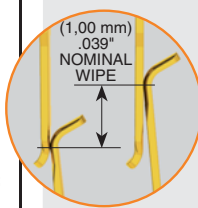
For complete scope of recognitions see www.samtec.com/quality



-010, -020, -030, -040, -050

-L
= 10µ" (0,25 µm)
Gold on contact,
Matte Tin on tail

-TR
= Tape & Reel Packaging



NO. OF POSITIONS	A	B
-010	(8,00) .315	(13,00) .512
-020	(13,00) .512	(18,00) .709
-030	(18,00) .709	(23,00) .906
-040	(23,00) .906	(28,00) 1.102
-050	(28,00) 1.102	(33,00) 1.299

ERM5/ERF5 7 mm Stack Height	Rated @ 3dB Insertion Loss	
	with PCB effects*	w/o PCB effects**
Single-Ended Signaling	10.5 GHz / 21 Gbps	13.5 GHz / 27 Gbps
Differential Pair Signaling	9.5 GHz / 19 Gbps	20 GHz / 40 Gbps

*Performance data includes effects of a non-optimized PCB.
**Test board losses de-embedded from performance data.
Performance data for other stack heights and complete test data available at www.samtec.com?ERF5 or contact sig@samtec.com



-010, -020,
-030, -040, -050,
-060, -070, -075

-05.0
= 5 mm
Body
Height

-07.0
= 7 mm
Body
Height
(Available
up to 50
positions
only)

-L
= 10µ" (0,25 µm)
Gold on contact,
Matte Tin on tail

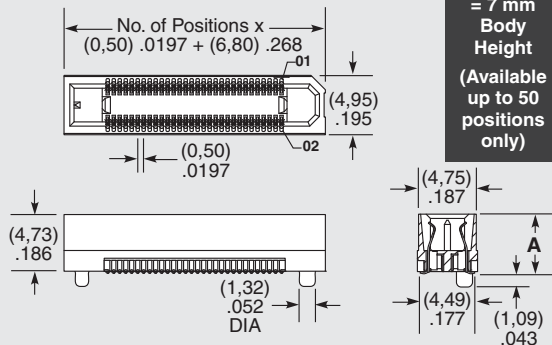
-K
= (6,00 mm) .236" DIA
Polyimide Film
Pick & Place Pad

-TR
= Tape & Reel
Packaging

LEAD STYLE	A
-05.0	(4,91) .193
-07.0	(6,91) .272

ERF5 LEAD STYLE	MATED HEIGHT*		
	ERM5 LEAD STYLE		
-02.0	-02.0	-04.0	-05.0
-05.0	(7,00) .276	(9,00) .354	(10,00) .394
-07.0	(9,00) .354	(11,00) .433	(12,00) .472

*Processing conditions will affect mated height.



ALSO AVAILABLE (MOQ Required)

- Friction Lock (-DV only)
 - Weld Tab (-DV only)
 - Other platings
- Contact Samtec.

Note: Patented

Note: Some lengths, styles and options are non-standard, non-returnable.