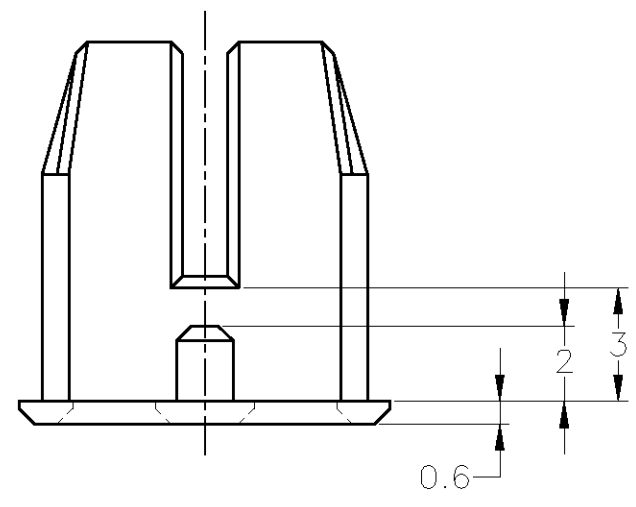
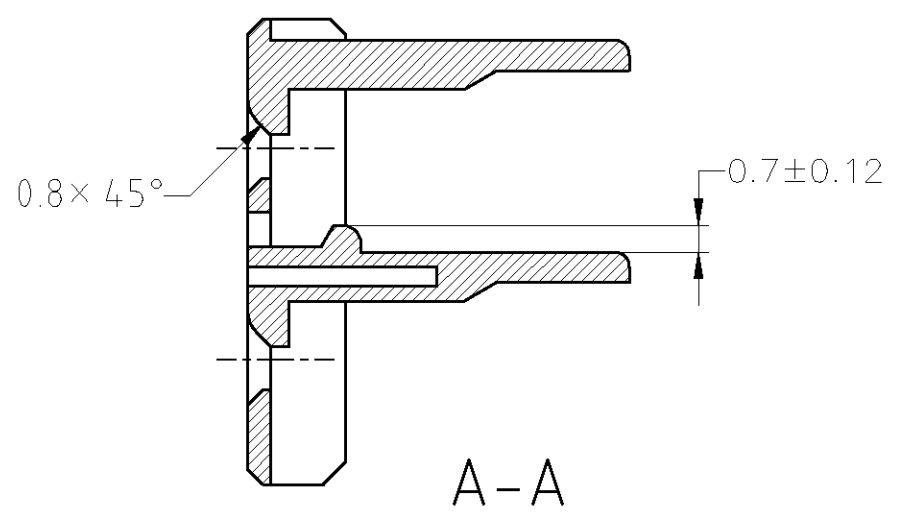
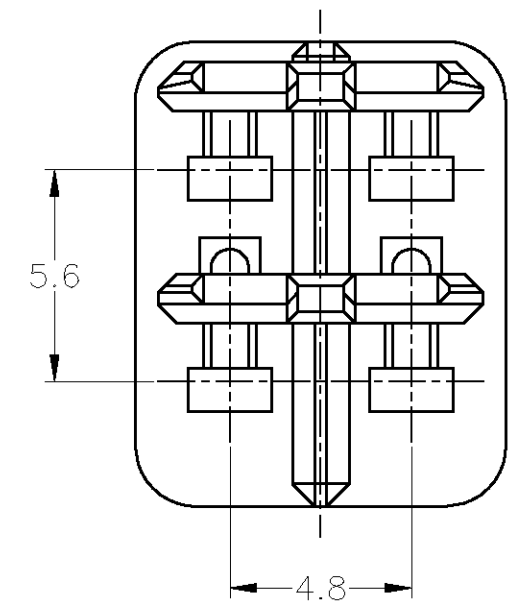
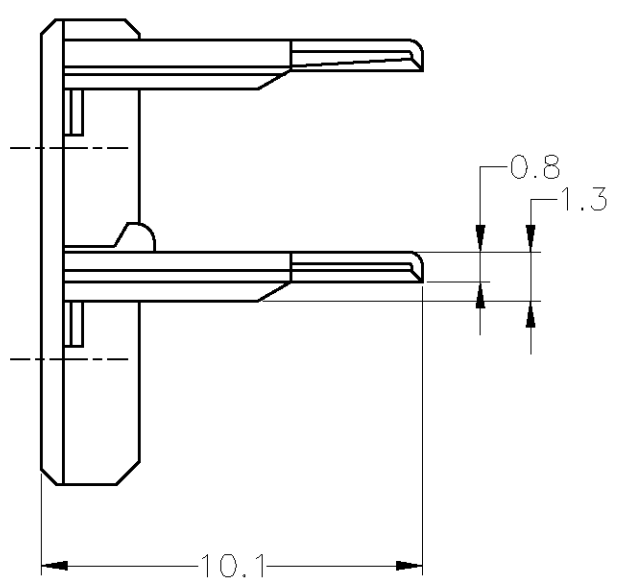
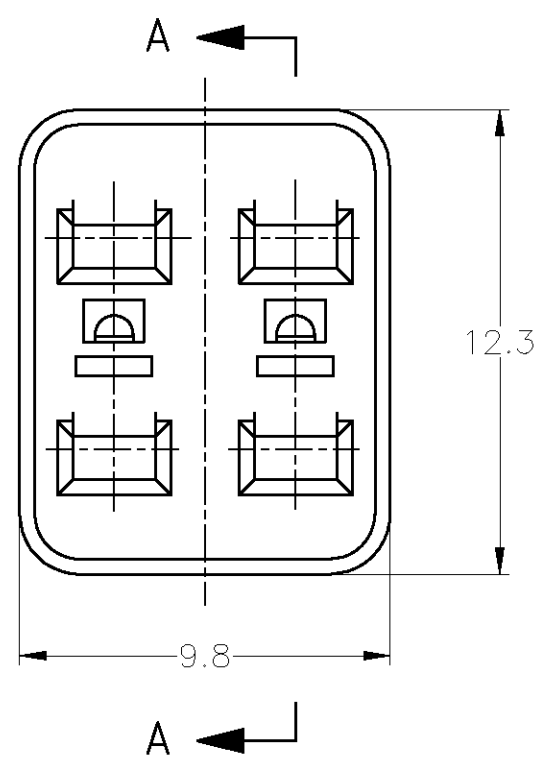


THIS DRAWING IS UNPUBLISHED. RELEASED FOR PUBLICATION
 © COPYRIGHT BY TYCO ELECTRONICS CORPORATION. ALL INTERNATIONAL RIGHTS RESERVED.

LOC	DIST	REVISIONS						
		P	LTR	DESCRIPTION	DATE	DWN	APVD	
J	-	B1		REDRAWN W/CHANGE	ECR-10-018199	01SEP10	TS	KB



1. 本品はプラグハウジング型番 174257 に装着される
 1. TO BE MATES WITH CAP HOUSING PART NUMBER 174257



PBT	NATURAL 自然色	1-174258-1
PBT, 難燃材	YELLOW 黄	174258-7
MATERIAL 材料	HOUSING COLOR ハウジング色	PART NUMBER 型番

THIS DRAWING IS A CONTROLLED DOCUMENT.		DWN T.SHINOHARA 01SEP10	Tyco Electronics Corporation Kawasaki, Japan	
DIMENSIONS: mm		CHK K.BETSUI 01SEP10	NAME	
TOLERANCES UNLESS OTHERWISE SPECIFIED:		APVD K.BETSUI 01SEP10	4POSITION ECONOSEAL J MK-II+ CONNECTOR DOUBLE LOCK PLATE FOR PLUG HOUSING	
0 PLC ± - 1 PLC ± - 2 PLC ± - 3 PLC ± - 4 PLC ± - ANGLES ± -		PRODUCT SPEC 108-5262	SIZE	RESTRICTED TO
MATERIAL SEE TABLE		APPLICATION SPEC	CAGE CODE A300779	DRAWING NO C-174258
FINISH -		WEIGHT -	SCALE 5:1	SHEET 1 OF 1
一般公差 (GENERAL TOLERANCE) 10以下 : ±0.2 10を超え 30以下 : ±0.25 30を超え 100以下 : ±0.3 角 度 : ±3°		CUSTOMER DRAWING		REV B1