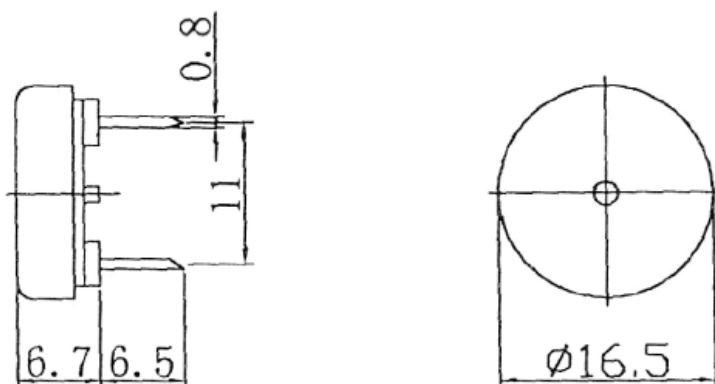


Datasheet Piezo Transducer

RS Stock number [457-065](#)

Dimensions(mm):



Specifications:

Rated Voltage (Vp-p Square Wave)	: 3Vp-p
Operating Voltage	: 1Vp-p to 30Vp-p
Rated Current at rated voltage	: 1mA
Capacitance	: 10,000pF ±30%pF
Sound Output	: ≥75dB (4,000Hz at 10cm at rated voltage)
Resonant Frequency	: 4,000Hz ±500Hz
Operating Temperature	: -20°C to +70°C
Storage Temperature	: -30°C to +80°C
Weight	: 1g
External Depth	: 6.7mm
External Dia	: 16.5mm
External Length / Height	: 6.7mm
Pin Dia	: 0.8mm
Sound Level Distance	: 10cm

Features:

- Colour: Black
- Housing material: Noryl
- Pin material: Beryllium Bronze