

Fortress Interlocks

Product Data Sheet

DM & DMS

Door Module with multiple access locks

Description

The **DM** and **DMS** (full stainless steel version) are robust, modular access interlocks suitable for use on all types of doors. They are sold as a single or multiple door interlock with up to ten locks modules.

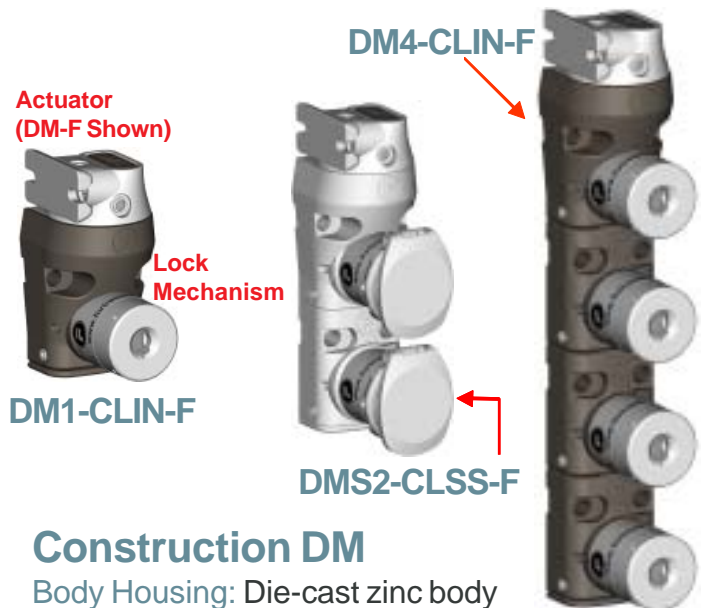
- No product handling issues
- 8 head configurations with +/- 5° of fine adjustment
- Horizontal and vertical mounting
- Tested to over 1,000,000 operations
- Durable plated bodies
- Tamper resistant head mechanism
- Patented sequencing system
- Easy to configure
- Sequential / Non-sequential key operation
- Extend or trim-down units and use surplus modules elsewhere
- Minimal maintenance
- Slim and attractive design

Application

Part of an interlock system, the locks are used to control access to enclosed areas until a safe condition has been achieved.

Operation (Example Sequence on DM1)

The key is inserted into the lock and turned; the actuator is disengaged and the door opened. The key remains trapped until the door is closed and the actuator re-engaged. Other sequences are available.



Construction DM

Body Housing: Die-cast zinc body with pearl bronze finish.

Head: All stainless steel.

Internals: All stainless steel contact components.

Actuators: All stainless steel.

Lock Mechanism: CL or ML lock types are of die-cast zinc body with stainless operating mechanism.

Key: Stainless steel.

Construction DMS

Body Housing: All stainless steel

Head: All stainless steel.

Internals: All stainless steel contact components.

Lock Mechanism: CLS or MLS lock types are of all stainless steel.

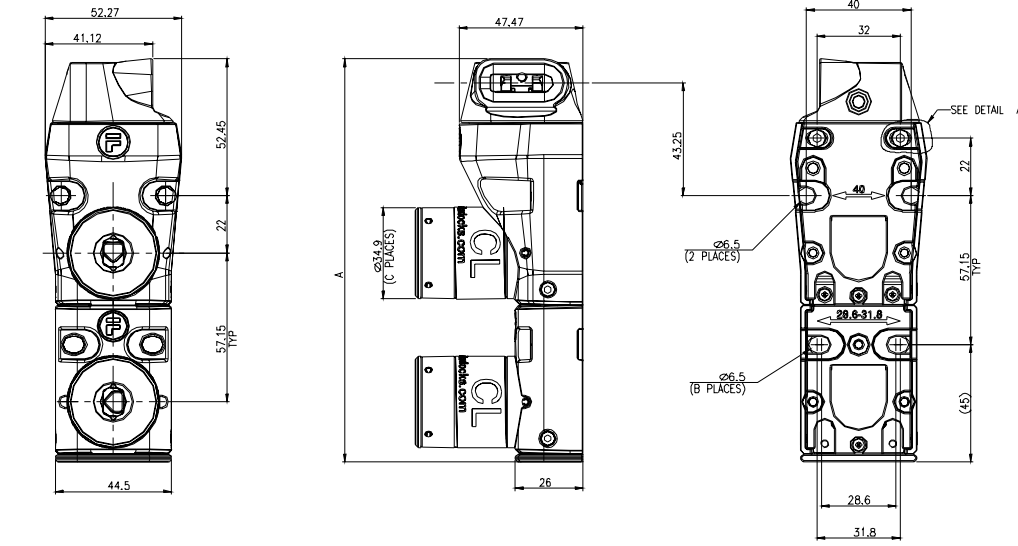
Actuators: All stainless steel.

Key: All stainless steel.



Options DM and DMS

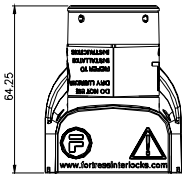
- A choice of 3 actuators: Fixed, Self-aligning or Hand operated (see page 3)
- Surface or panel mounting option (DM only)
- Lock portion may be CL or ML with DM or CLS or MLS with DMS
- Stainless steel spring loaded dustcover (Standard with DMS)
- Low profile CL key



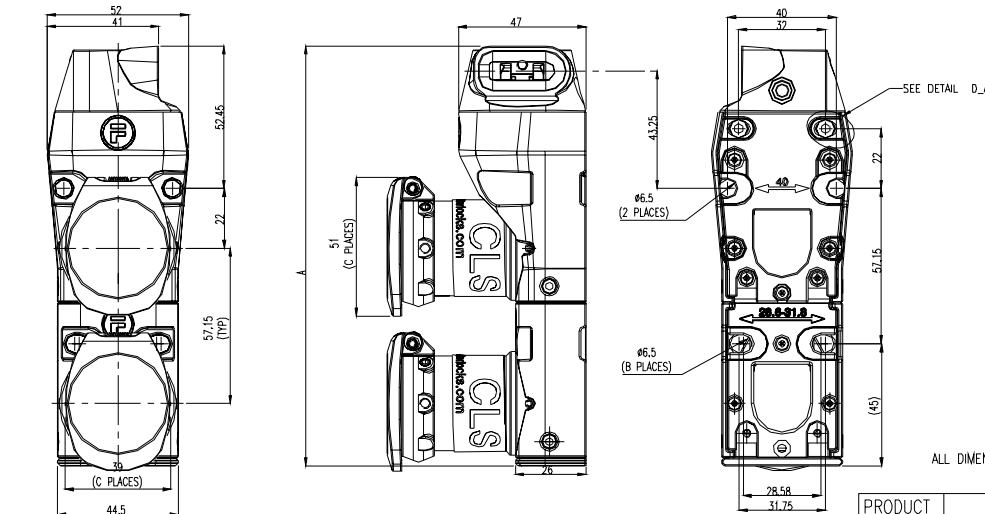
PRODUCT	A OVERALL LENGTH	B NO OF SLOTTED HOLES	C NO OF CL LOCKS
DM1	97.45	0	1
DM2	154.6	2	2
DM3	211.75	4	3
DM4	268.9	6	4
DM5	326.05	8	5
DM6	383.2	10	6
DM7	440.35	12	7
DM8	497.5	14	8
DM9	554.65	16	9
DM10	611.8	18	10

ALL DIMENSIONS ARE NOMINAL AND ARE SUBJECT TO MANUFACTURING TOLERANCES

The DM and DMS drawings are shown mounted vertically with the head in the right entry position. See page 4 for other head positions.



DM Tabulated Drawing



ALL DIMENSIONS ARE NOMINAL AND ARE SUBJECT TO MANUFACTURING TOLERANCES

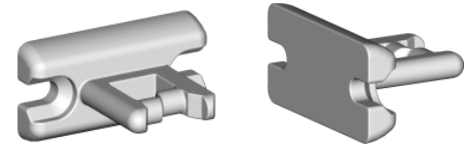
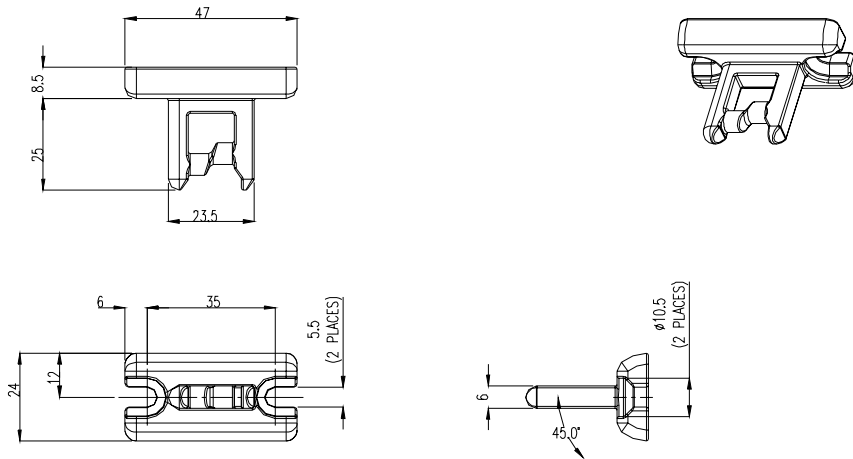
PRODUCT	A OVERALL LENGTH	B NO OF SLOTTED HOLES	C NO OF CLS LOCKS
DMS1	97.45	0	1
DMS2	154.6	2	2
DMS3	211.75	4	3
DMS4	268.9	6	4
DMS5	326.05	8	5

DMS Tabulated Drawing

Choice of Actuators

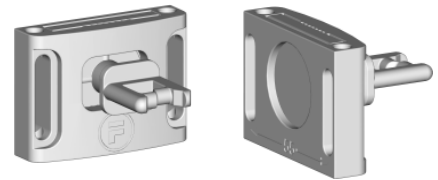
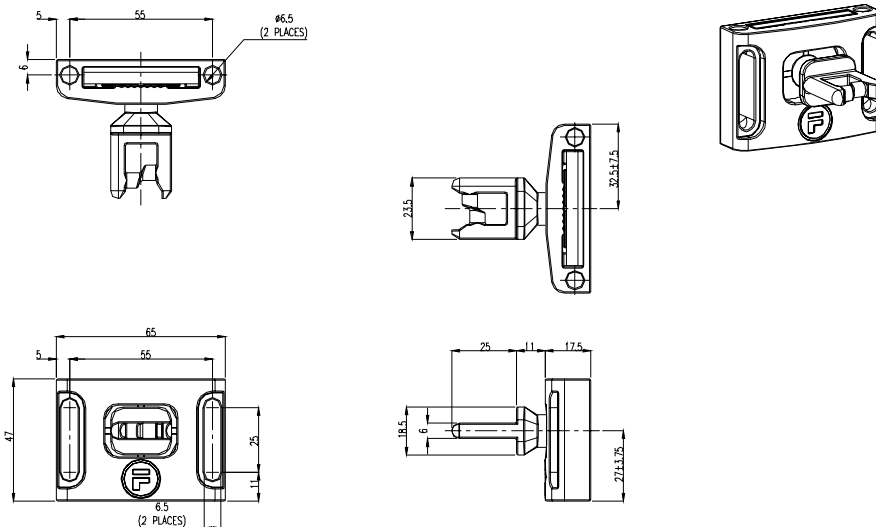
Fortress can provide the **DM** product range with a selection of robust, all stainless steel actuators suitable for both hinged and sliding doors.

Fixed Actuator - DM-F



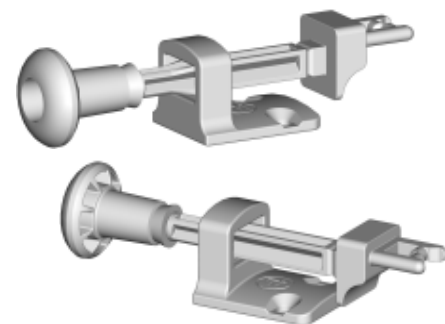
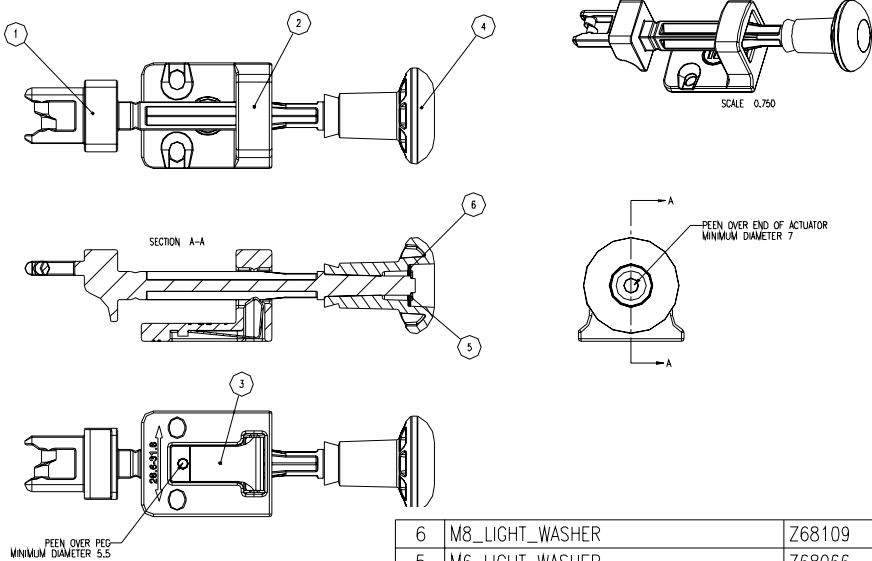
- Supplied as standard
- Ideal for most guard doors
- Compact (fits within **DM** body's space envelope)

Self-Aligning Actuator - DM-S



- Ideal for small radius hinged doors
- Can be bolted through from the front, top or bottom
- Horizontal Adjustment: +/-7.5mm
- Vertical Adjustment: +/-3.75mm
- Rotational Adjustment: Any angle in 360 degrees
- Adjustment ideal for guards subject to misalignment through wear

Hand Operated Actuator - DM-H



- Suitable for use where a secondary action is required to open/close the guard
- Detent holds actuator in place when door is open
- Vertical Adjustment: +/-6mm
- Rotational Adjustment: 360° in 90° increments of actuator/bracket

6	M8_LIGHT_WASHER	Z68109	1
5	M6 LIGHT WASHER	Z68066	1
4	KNOB FOR CAST SLIDE BAR	F50278	1
3	DM LEAF SPRING	F65119	1
2	DM HAND-OPERATED ACTUATOR BRACKET	F46325	1
1	DM HAND-OPERATED ACTUATOR	F46323	1
ITEM	DESCRIPTION	PART NO.	QTY

Rotating Head Product Animations

Head Positions

The **DM** and **DMS** modules benefits from a revolutionary new patented head design. With 3 actuators to choose from, the head features a choice of 4 head rotation angles and 2 actuator entry points.



Front Side Entry



Left Top Entry

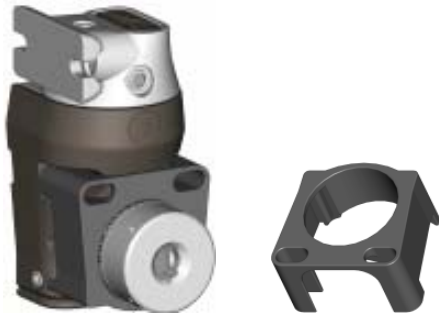


Rear Top Entry



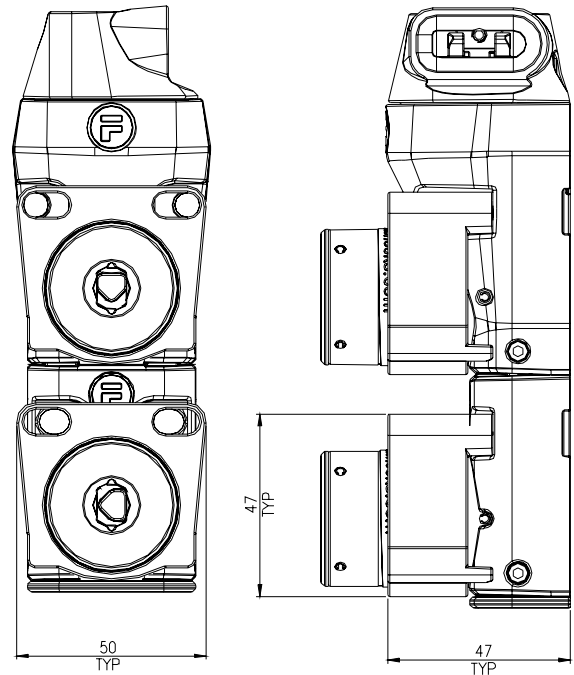
Right Side Entry

Back of Board Mounting



Back of Board Mounting Kit shown in operation on a **DM1** and illustrated on its own.

- 1 Provides a flat mounting surface for back of board panel mounting
- 2 Easy conversion from front of board, surface mounting
- 3 Uses **DM** fixing centres



XMA



Add-On Module(s)

Module(s) can be added to an existing **DM** product for system expansion at any stage.

Part Numbering

Product	No. of Locks	Lock Type	Lock Material	Dustcover	Actuator Type
DM	1 -	CL	Stainless steel Internals	None -	Fixed
	10 -	ML	Stainless steel	Stainless steel -	Self Aligning
					Hand Operated
DMS	1 -	CLS	Stainless steel	Stainless steel -	Fixed
	5 -	MLS			Self Aligning
					Hand Operated

Starting from the left and working across. Select the coloured/high-lighted/bold option for each section heading. This will generate your part number.
Example Part Numbers:
DM3-CLIN,
DMS3-CLSS.