

- > Port size: M5, 1/8" & 1/4", Ø 4 mm
- > Conform to BS EN 837-1:1998
- > Back or bottom connecton
- > Panel mount, stainless steel and Underwriters
- > Laboratories Inc. listed gauges available
- > Wide pressure and temperature and range



Technical features

Medium:

Compressed air, oil and gases or liquids which do not corrode copper alloys

Port connections:

White face scale
M5, R1/8, G1/8A, G1/4A
Ø 6,5 mm (for model 9273... only)
Black face scale
1/8 NPT, 1/4 NPT, Ø 5/32
(for North America)

Accuracy:

2,5% of full scale

Ambient/Media temperature:

-40 ... +65°C (-40 ... +150°F)
For model 9273... only:
-20 ... +52°C (-4 ... +125°F)
Air supply must be dry enough to avoid ice formation at temperatures below +2°C (+35 °F)

Materials:

Body: ABS, steel or stainless steel
Lens: steel or plastic bodies have plastic lens; stainless steel bodies has glass lens
Connectors: steel or plastic bodies have brass connector; stainless steel bodies has stainless steel connector

For model 9273... only:
Body: PA 66
Lens: Polycarbonate
'O' ring: NBR

Center back connection, white face

Symbol	Scale range			Model - Diameter & Connection			
	bar *1)	Mpa	psi	Ø 25 M5	Ø 40 R1/8	Ø 50 R1/8	Ø 63 R1/8
	0 ... 1	—	0 ... 14	—	18-013-887	—	18-013-893
	0 ... 1,6	0 ... 0,16	0 ... 23	—	18-013-991	18-013-010	—
	0 ... 2,5	—	0 ... 36	—	18-013-886	—	18-013-892
	0 ... 4	0 ... 0,4	0 ... 58	—	18-013-990	18-013-011	—
	0 ... 6	0 ... 0,6	0 ... 87	—	18-013-885	18-013-012	18-013-891
	0 ... 10	0 ... 1	0 ... 145	V70534-500 *2)	18-013-989	18-013-013	18-013-890
	0 ... 16	0 ... 1,6	0 ... 232	—	18-013-884	—	18-013-889
	0 ... 25	0 ... 2,5	0 ... 362	—	18-013-908	18-013-014	18-013-888

*1) primary scale

*2) bar and psi scale only

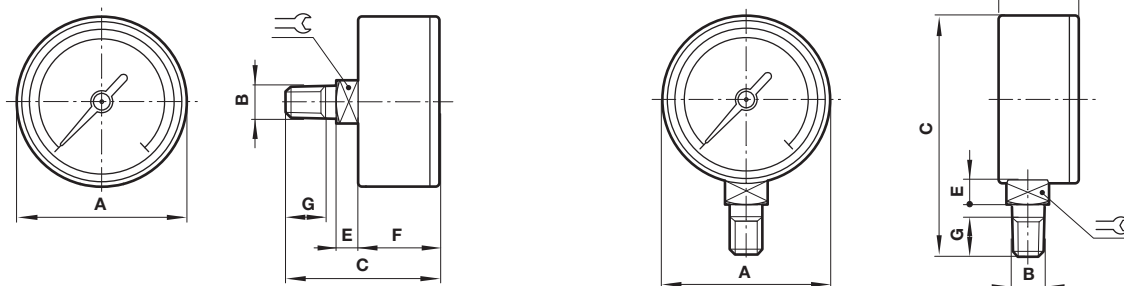
Bottom connection, white face

Symbol	Scale range			Model - Diameter & Connection	
	bar *1)	Mpa	psi	Ø 50 R1/8	Ø 63 G1/4
	0 ... 1,6	0 ... 0,16	0 ... 23	18-013-024	—
	0 ... 4	0 ... 0,4	0 ... 58	18-013-025	—
	0 ... 6	0 ... 0,6	0 ... 87	18-013-026	—
	0 ... 10	0 ... 1	0 ... 145	18-013-027	18-013-854
	0 ... 16	0 ... 1,6	0 ... 232	—	18-013-853
	0 ... 25	0 ... 2,5	0 ... 362	18-013-028	—

*1) primary scale

Dimensions


Dimensions in mm
Projection/First angle



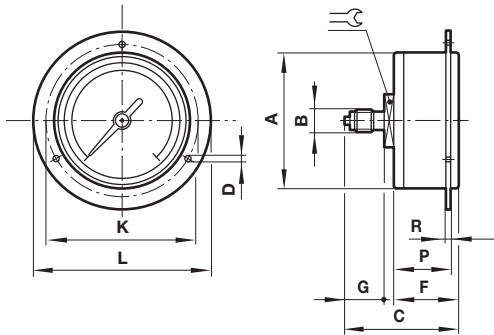
Ø A	B	C	E	F	G	Weight (g)
25	M5	28	3,5	16,5	6	12
40	R1/8	45	9	26	10	14
50	R1/8	50	9	26	14	14
63	R1/8	48	6,5	27,5	10	14

Ø A	B	C	E	F	G	Weight (g)
50	R1/8	69	6	28	12,5	14
63	R1/4	83	6	28	15	14

**Center back connection, panel mount, white face
(secured from front with screws)**

Symbol	Scale range			Model - Diameter & Connection	
	bar *1)	Mpa	psi	Ø 40 G1/8A	Ø 63 G1/4A
	0 ... 1,6	0 ... 0,16	0 ... 23	18-013-879	18-013-883
	0 ... 6	0 ... 0,6	0 ... 87	18-013-878	18-013-882
	0 ... 10	0 ... 1	0 ... 145	18-013-877	18-013-881
	0 ... 16	0 ... 1,6	0 ... 232	—	18-013-880

*1) primary scale




Ø A	B	C	Ø D	F	G	Ø K	Ø L	P	R	Weight (g)
42	G1/8A	42,5	3,6	25	12	53,5	60,5	23	1	81
63	G1/4A	46,5	3,6	29	16	75	85	26	2	79

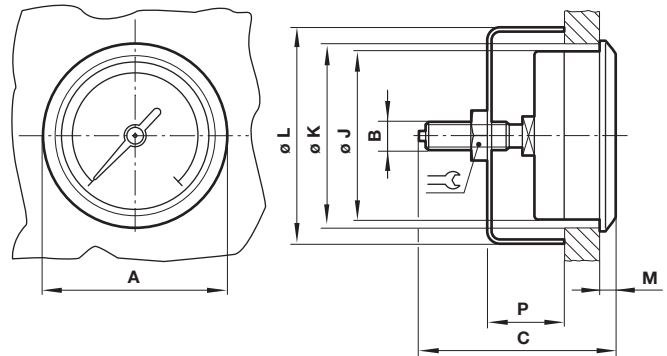
**Center back connection, panel mount, white face
(secured from rear with clamping bar)**

Dimensions in mm
Projection/First angle




Symbol	Scale range			Model - Diameter & Connection	
	bar *1)	Mpa	psi	Ø 50 G1/8A	Ø 63 G1/4A
	0 ... 1,6	0 ... 0,16	0 ... 23	18-013-996	—
	0 ... 4	0 ... 0,4	0 ... 58	18-013-995	—
	0 ... 6	0 ... 0,6	0 ... 87	18-013-994	—
	0 ... 10	0 ... 1	0 ... 145	18-013-993	18-013-852
	0 ... 16	0 ... 1,6	0 ... 232	—	18-013-851
	0 ... 25	0 ... 2,5	0 ... 362	18-013-992	—

*1) primary scale

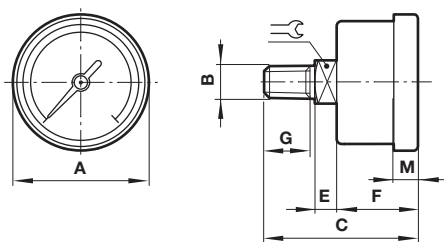


Ø A	B	C	Ø J	Ø K	Ø L	M	P	Weight (g)
50	G1/8A	62	48	52	66	0 ... 4,5	30	110
63	G1/4A	62	62	65	74	0 ... 4,5	37	140

**Stainless steel gauges
Center back connection, white face**


Symbol	Scale range			Model - Diameter & Connection	
	bar *1)	Mpa	lbf/m ²	Ø 40 1/8 PTF	1/4 PTF
	0 ... 6	—	0 ... 87	—	18-013-913
	0 ... 10	—	0 ... 145	18-013-844	18-013-909
	0 ... 25	—	0 ... 362	—	18-013-905

*1) primary scale



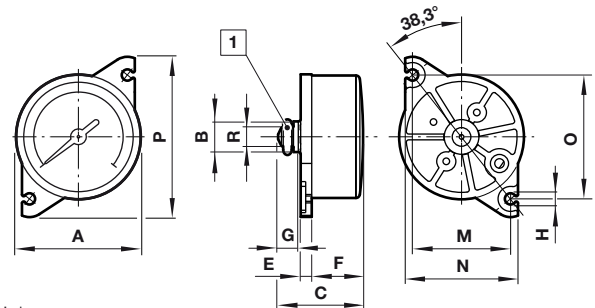
Ø A	B	C	E	F	G	M	Weight (g)
40	1/8 PTF	36	6,5	22	6	9	58
40	1/4 PTF	46,5	7,5	25	11	9	74

**Gauge kit
Center back connection, white face**

Symbol	Scale range			Model - Diameter *2)
	bar	Mpa	psi	Ø 26
	0 ... 12 *1)	—	0 ... 175	9273KIT-01
	0 ... 12	0 ... 1,2 *1)	—	9273KIT-02

*1) primary scale

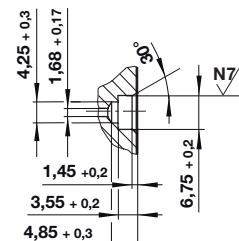
*2) part number = pack of 5 gauges, 'O' rings and screw driver



1 'O' ring

Ø A	B +0,2	C	E	F	G	H +0,2	M	N	O	P	R +0,2	Weight (g)
26	6,3	17,5	2,3	10,5	4,7	2,2	20,4	23,5	25,8	33,4	3,8	7

Interface



**Center back connection, black face
(for North America)**

Symbol	Scale range			Model - Diameter & Connection		
	psig *1)	bar	Mpa	Ø 1.5" (Ø 40 mm) 1/8 NPT	Ø 2" (Ø 50 mm) 1/8 NPT	Ø 2" (Ø 50 mm) 1/4 NPT
	0 ... 30	0 ... 2	0 ... 0.2	18-013-214	18-013-201	18-013-207
	0 ... 60	0 ... 4	0 ... 0.4	18-013-211	18-013-202	18-013-208
	0 ... 100	0 ... 7	0 ... 0.7	—	18-013-203	18-013-235
	0 ... 160	0 ... 11	0 ... 1.1	18-013-212	18-013-204	18-013-209
	0 ... 300	0 ... 20	0 ... 2.1	18-013-275	18-013-205	18-013-210
	0 ... 400	0 ... 28	0 ... 2.8	—	18-013-206	—

*1) primary scale

**Bottom back connection, black face
(for North America)**

Symbol	Scale range			Model - Diameter & Connection	
	psig *1)	bar	Mpa *4)	Ø 1.5" (Ø 40 mm) 1/8 NPT	Ø 2" (Ø 50 mm) 1/4 NPT
	0 ... 15	0 ... 1	—	—	18-013-082
	0 ... 30	0 ... 2	0 ... 0.2	18-013-224	18-013-030 *2)
	0 ... 60	0 ... 4	0 ... 0.4	18-013-225	18-013-083 *2)
	0 ... 100	0 ... 7	0 ... 0.7	18-013-265	18-013-084 *2)
	0 ... 160	0 ... 11	0 ... 1.1	18-013-273	18-013-085 *2)
	0 ... 300	0 ... 20	—	—	18-013-086 *2)
	0 ... 2000	0 ... 135	—	—	18-013-244 *3)
	0 ... 3000	0 ... 205	—	—	18-013-087 *3)

*1) primary scale

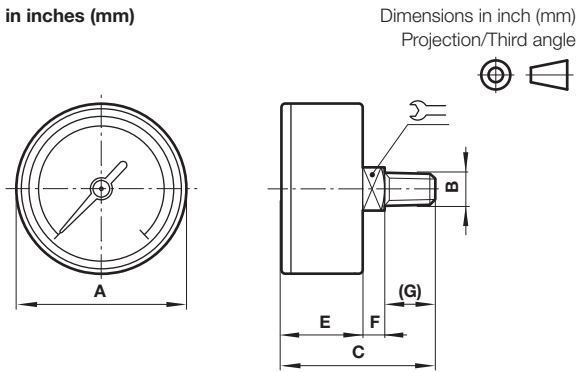
*2) Underwriters Laboratories Inc. listed

*3) Shipped with pulsation dampener installed.

Please add -9D to the end of model number

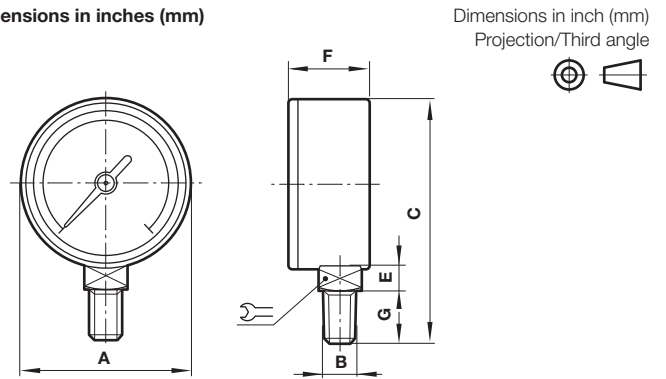
*4) Mpa scale for Ø 1.5" only

Dimensions in inches (mm)




Ø A	B	C	E	F	(G)		Weight (lb)
1.5 (40)	1/8 NPT	1.60 (41)	0.97 (25)	0.23 (6)	0.40 (10)	0.43 (11)	0.12 (54 g)
2 (50)	1/8 NPT	1.73 (44)	1.03 (26)	0.23 (6)	0.47 (12)	0.55 (14)	0.17 (77 g)
2 (50)	1/4 NPT	1.73 (44)	1.03 (26)	0.23 (6)	0.47 (12)	0.55 (14)	0.18 (81 g)

Dimensions in inches (mm)




Ø A	B	C	E	F	G		Weight (lb)
1.5 (40)	1/8 NPT	2.2 (56)	0.31 (8)	0.90 (23)	1.11 (28)	0.43 (11)	0.14 (64 g)
2 (50)	1/4 NPT	2.7 (69)	0.31 (8)	1.06 (27)	1.42 (36)	0.55 (14)	0.22 (100 g)

**Center back connection, panel mounted, black face
(for North America)**

Symbol	Scale range			Model - Diameter & Connection Ø 1.5" (Ø 40 mm) 1/8 NPT außen & 10 ... 32 innen
	psig *1)	bar	Mpa	
	0 ... 30	0 ... 2	0 ... 0.2	5PG-306-000
	0 ... 60	0 ... 4	0 ... 0.4	5PG-312-000
	0 ... 100	0 ... 7	0 ... 0.7	5PG-320-000

*1) primary scale

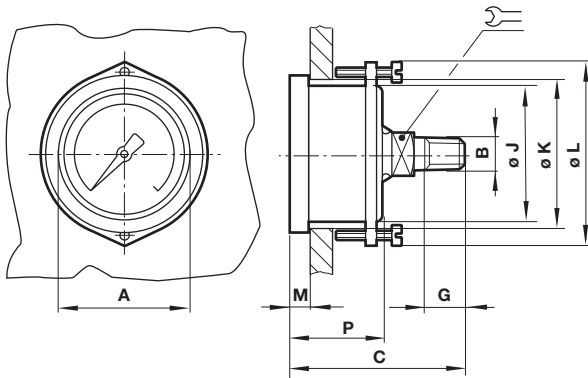
**Center back connection, panel mounted, black face
(for North America)**


Symbol	Scale range			Model Ø 1.5" (Ø 40 mm) Ø 5/32" PIF (Ø 4 mm)
	psig *1)	bar	Mpa	
	0 ... 100	0 ... 7	0 ... 0.7	18-013-538

*1) primary scale

Dimensions in inches (mm)

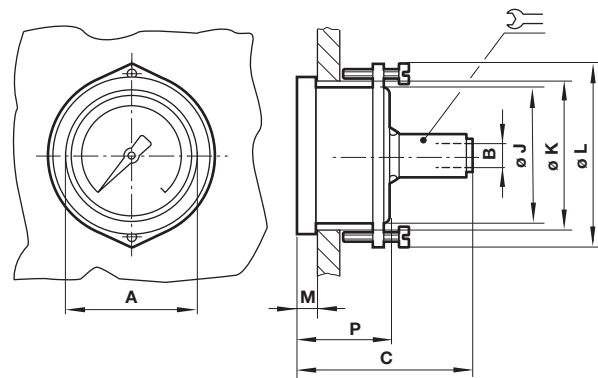
Dimensions in inch (mm)
Projection/Third angle

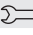


Ø A	B	C	G	Ø J	Ø K
1.5 (40)	1/8 NPT	1.69 (43)	0.60 (15)	1.61 (41)	1.63 (41)
Ø L	M	P		Weight (lb)	
2.1 (53)	0.18 (4,5)	1.04 (27)	0.55 (14)	0.15 (68 g)	

Dimensions in inches (mm)

Dimensions in inch (mm)
Projection/Third angle



Ø A	Ø B	C	Ø J	Ø K
1,5 (40)	0.156 (4)	1.71 (43)	1.61 (41)	1.63 (41)
Ø L	M	P		Weight (lb)
2.1 (53)	0.18 (5)	0.86 (22)	0.55 (14)	0.15 (68 g)

Warning

These products are intended for use in industrial compressed air systems only. Do not use these products where pressures and temperatures can exceed those listed under »Technical features/data«.

Before using these products with fluids other than those specified, for non-industrial applications, life-support systems or other applications not within published specifications, consult IMI NORGREN.

Through misuse, age, or malfunction, components used in fluid power systems can fail in various modes.

The system designer is warned to consider the failure modes of all component parts used in fluid power systems and to provide adequate safeguards to prevent personal injury or damage to equipment in the event of such failure.

System designers must provide a warning to end users in the system instructional manual if protection against a failure mode cannot be adequately provided.

System designers and end users are cautioned to review specific warnings found in instruction sheets packed and shipped with these products.