

E-T-A® Thermal-Magnetic Circuit Breaker 201/-WA

Description

Single pole thermal-magnetic circuit breaker with tease-free, trip-free, snap action mechanism and two button operation (M-type TM CBE to EN 60934). Featuring a narrow profile housing, recessed terminals, standard EN rail mounting, and precision CBE performance.

Typical applications

Process control systems, instrumentation.

Accessories

X 200 409 01 Mounting adapter for asymmetric rail (G-profile).

Ordering information

| Type No. | |
|-------------|-----------------------------------|
| 201 | single pole, rail mounted version |
| 201-WA | low-resistance version |
| | Option |
| 2705 | fitted with adapter X 200 409 01 |
| | Current ratings |
| 0.05...16 A | (type 201) |
| 0.05...10 A | (type 201-WA) |

201-WA - [] - 10 A ordering example

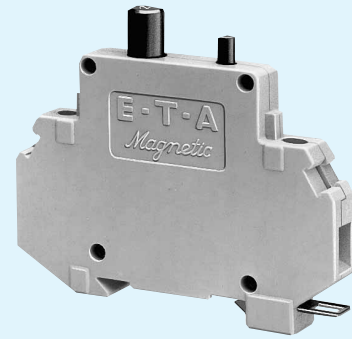
The exact part number required can be built up from the table of choices shown above. Ordering references for optional features should be omitted if not required.

Standard current ratings and typical internal resistance values

| Current rating (A) | Internal resistance (Ω) | | Current rating (A) | Internal resistance (Ω) | |
|--------------------|-------------------------|--------|--------------------|-------------------------|--------|
| | 201 | 201-WA | | 201 | 201-WA |
| 0.05 | 447 | 211 | 3 | 0.19 | 0.054 |
| 0.1 | 131 | 48 | 4 | 0.090 | 0.035 |
| 0.2 | 40 | 12.4 | 5 | 0.061 | 0.025 |
| 0.3 | 19.3 | 5.7 | 6 | 0.041 | < 0.02 |
| 0.4 | 10.4 | 3.1 | 7 | 0.034 | < 0.02 |
| 0.5 | 7.1 | 2.0 | 8 | < 0.02 | < 0.02 |
| 0.6 | 4.3 | 1.32 | 10 | < 0.02 | < 0.02 |
| 0.8 | 2.5 | 0.76 | 12 | < 0.02 | |
| 1 | 1.67 | 0.49 | 14 | < 0.02 | |
| 1.5 | 0.61 | 0.21 | 15 | < 0.02 | |
| 2 | 0.38 | 0.101 | 16 | < 0.02 | |
| 2.5 | 0.24 | 0.078 | | | |

Approvals

| Authority | Voltage ratings | Current ratings |
|---------------|-------------------|-----------------|
| CSA | AC 250 V, DC 65 V | 0,05...15 A |
| VDE, Demko, | AC 250 V, DC 65 V | 0,05...16 A |
| UL | AC 250 V, DC 65 V | 0,05... 8 A |
| | AC 125 V, DC 65 V | 9 ...15 A |
| ABS, BV, LRoS | AC 250 V, DC 65 V | 0,3...16 A |



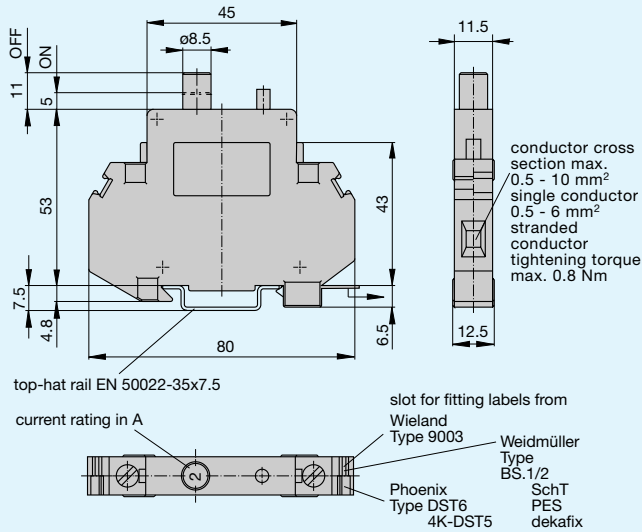
201-... standard type 201-WA-... low-resistance type

Technical data

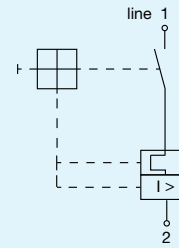
| | | | |
|--|---|---|------------------------------------|
| Max. voltage rating | AC 250 V, 50/60 Hz; DC 65 V | | |
| Current rating range | 201: 0.05 ... 16 A 201-WA: 0.05...10 A | | |
| Protection class (IEC 730-1) | I (II when mounted to the installation drawing) | | |
| Typical life | 5000 operations at 2xI _N | | |
| Temperature range | 0...+55°C | | |
| Creepage resistance | PTI 600 to IEC 112 | | |
| Insulation co-ordination (IEC 664 and 664A) operating area | Rated impulse withstand voltage 4 kV | Pollution degree 3 | |
| Dielectric strength (IEC 664 and 664A) operating area | Test voltage AC 4000 V (double insulation) | | |
| Insulation resistance | > 100 MΩ (DC 500 V) | | |
| Interrupting capacity (VDE 0660, Part 101, P-2) | 201 0.05...0.8 A 1...2 A 2.5...16 A | 201-WA 0.05...0.2 A 0.3...2 A 2.5...10 A | self-limiting 200 A 400 A |
| Interrupting capacity (UL 1077/EN 60934 PC1) | I _N 0.05...4.5 A 5...8 A 9...15 A 0.05...15 A | U _N AC 250 V AC 250 V AC 125 V DC 65 V | 200 A 1000 A 1000 A 200 A |
| Environmental protection (IEC 529/DIN 40050) | operating area IP 40 terminal area IP 20 | | |
| Vibration | 5 g (57-500 Hz), ±0.38 mm (10-57 Hz) to IEC 68-2-6, Test Fc 10 frequency cycles/axis | | |
| Shock | 25 g (11 ms) to IEC 68-2-27, Test Ea | | |
| Corrosion | 96 hours at 5 % saltspray to IEC 68-2-11, Test Ka | | |
| Humidity | 240 hours at 95 % RH to IEC 68-2-3, Test Ca | | |
| Mass | approx. 60 g | | |

ETA® Thermal-Magnetic Circuit Breaker 201/-WA

Dimensions

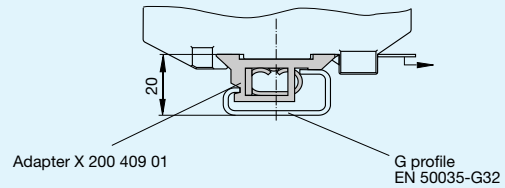


Internal wiring diagram

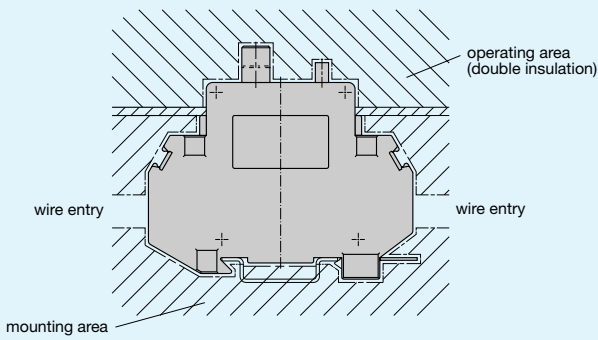


Accessories

Adapter for EN rail 50035-G32 specified as a separate item **X 200 409 01**



Installation drawing for protection class II (IEC 730-1)

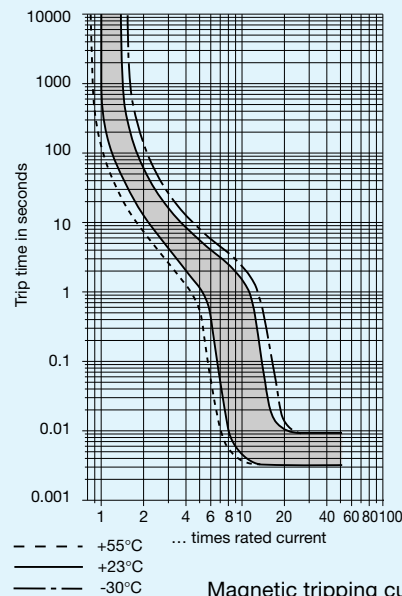


The time/current characteristic curve depends on the ambient temperature prevailing. In order to eliminate nuisance tripping, please multiply the circuit breaker current ratings by the derating factor shown below.

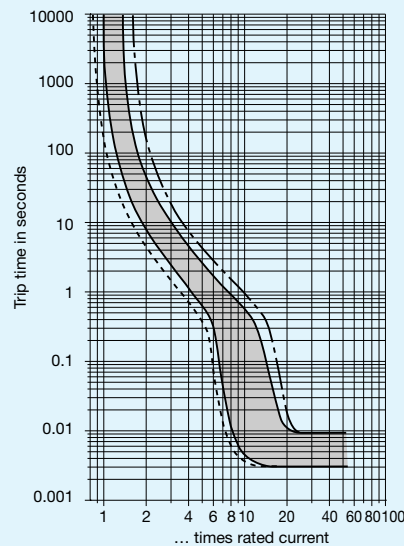
| Ambient temperature °C | -10 | 0 | +10 | +20 | +30 | +40 | +50 | +60 |
|------------------------|------|------|-----|-----|-----|------|------|------|
| Multiplication factor | 0.84 | 0.92 | 1 | 1 | 1 | 1.08 | 1.16 | 1.23 |

Typical time/current characteristics

Type 201 0.05...7 A AC



Type 201 8...16 A AC



Type 201-WA 0.05...10 A DC

