

magnetic ballasts for Fluorescent lamps

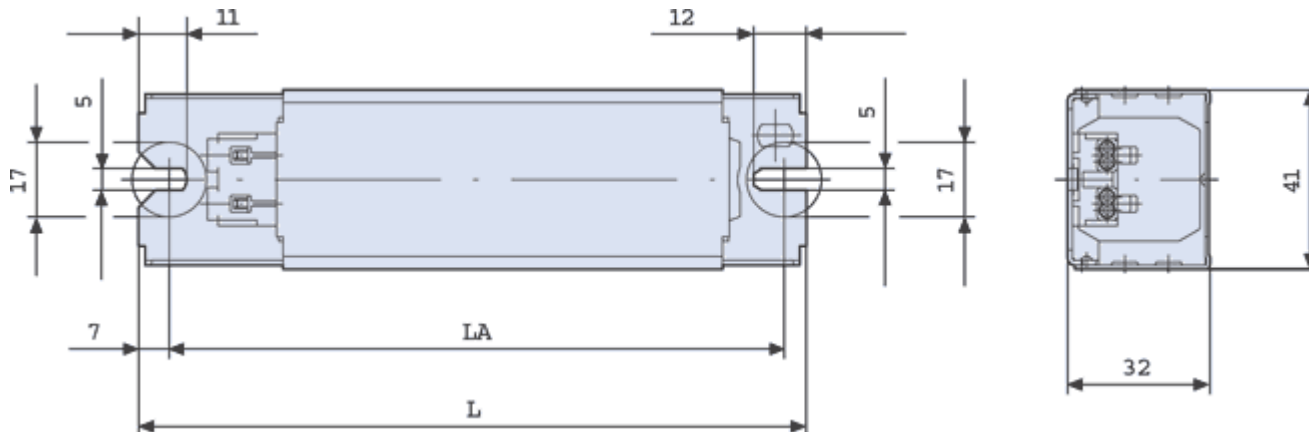
(close window)
(print)

15-70 W

**Magnetic ballasts (KVG*) for
fluorescent lamps**
Dimension 41 x 32 mm

1022 series

Push wire connections
tw 130 °C
Class I
Acc. EN 60920 and EN 60921
Approvals appropriate to table



Type	D 58-22.3-3
Article number	1022-0740-001
Voltage	230 V
Frequency	50 Hz
Lamp type/EEI	T 58 W / C
Lamp type/EEI	T 65 W / C
Lamp type/EEI	T-U 65 W
Weight	0,830 kg
Size (L)	192 mm
Size (LA)	180 mm
Wiring diagram (see register 9)	1-3
Approval	ENEC-VDE
$\mu\text{F} \pm 10\%$ (250 V)	7,0
$\mu\text{F} \pm 4\%$ (450 V)	5,3
▲t/▲t abnormal	60, 70c/165 K