

Fitting for Magnetic Paddle Flow Sensor/Switch

S010

PLASTIC, INLINE Quarter-Turn



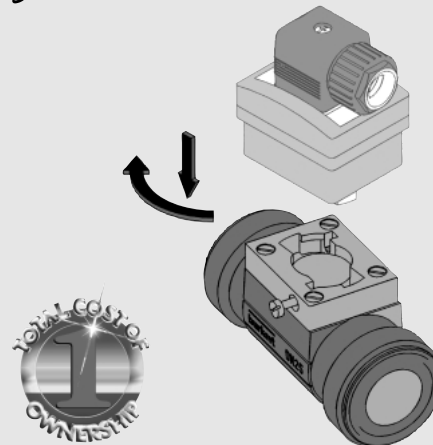
- ✓ **ON/OFF Control System for Monitoring and Switching in Combination with SE10 unit**
- ✓ **No Leakage due to Single Paddle inside the fitting (INLINE Quarter-Turn Technology)**
- ✓ **Contact Free Switching of Reed Contact by Magnetic Transmission**

The fitting S010 has the single paddle to detect the flow built in. This leads to a very leak proof construction, which we call the INLINE Quarter-Turn Technology. The switching point is transmitted contact free by a magnetic field. The detecting unit SE10 can be snapped-on or removed without opening the pipe of the process. The switching point can be set on the unit SE10.

Process Specifications

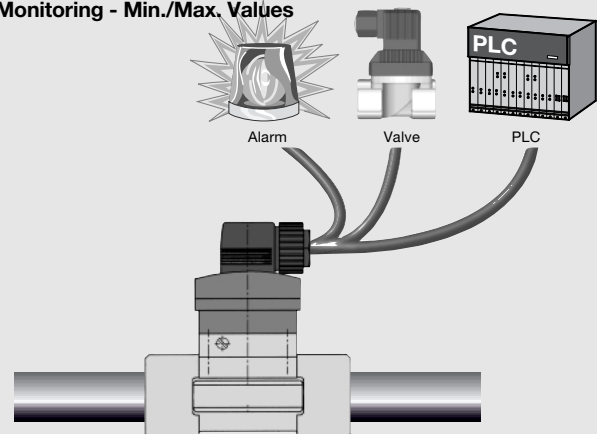
Pipe diameter	DN 15 up to DN 50
Temperatures	
Ambient	0 up to +55°C
Storage	0 up to +55°C
Fluid	0 up to +55°C
Materials	
Seal	FPM (standard) EPDM (on request)
Fitting	PVC, PP or PVDF
Screws	Stainless Steel (316L - 1.4404)
Pressure class	PN10
Measuring range	(see diagram)
Paddle (range 1)	DN15 0.65 up to 0.90 m/s DN20 0.35 up to 0.55 m/s DN25 0.40 up to 0.60 m/s DN32 0.65 up to 0.90 m/s DN40 0.75 up to 1.00 m/s
Paddle (range 2)	DN32 0.20 up to 0.30 m/s DN40 0.25 up to 0.45 m/s DN50 0.50 up to 0.60 m/s

Easy to install



Burkert Quarter Turn

**Application: (together with SE10)
Monitoring - Min./Max. Values**



Flow - On/Off Control

Fitting for Magnetic Paddle Flow Sensor/Switch

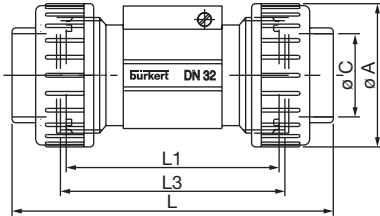
Specifications - Ordering Chart (Other Versions on Request)

Description	Orifice DN [mm]	Process Connection	Switching Range	Item No.
PVC Fitting World Wide				
• with union nuts and threaded ports				
Fitting with flowing-through single paddle (PVDF) & gasket (FPM)	15.0	true union	1	438 091 Q
Fitting with flowing-through single paddle (PVDF) & gasket (FPM)	20.0	true union	1	438 092 R
Fitting with flowing-through single paddle (PVDF) & gasket (FPM)	25.0	true union	1	438 093 J
Fitting with flowing-through single paddle (PVDF) & gasket (FPM)	32.0	true union	1	438 094 K
Fitting with flowing-through single paddle (PVDF) & gasket (FPM)	40.0	true union	1	438 095 L
Fitting with flowing-through single paddle (PVDF) & gasket (FPM)	32.0	true union	2	438 097 N
Fitting with flowing-through single paddle (PVDF) & gasket (FPM)	40.0	true union	2	438 098 X
Fitting with flowing-through single paddle (PVDF) & gasket (FPM)	50.0	true union	2	438 099 Y
• with solvent spigots				
Fitting with flowing-through single paddle (PVDF) & gasket (FPM)	15.0	solvent spigots	1	438 100 A
Fitting with flowing-through single paddle (PVDF) & gasket (FPM)	20.0	solvent spigots	1	438 101 X
Fitting with flowing-through single paddle (PVDF) & gasket (FPM)	25.0	solvent spigots	1	438 102 Y
Fitting with flowing-through single paddle (PVDF) & gasket (FPM)	32.0	solvent spigots	1	438 103 Z
Fitting with flowing-through single paddle (PVDF) & gasket (FPM)	40.0	solvent spigots	1	438 104 S
Fitting with flowing-through single paddle (PVDF) & gasket (FPM)	32.0	solvent spigots	2	438 106 U
Fitting with flowing-through single paddle (PVDF) & gasket (FPM)	40.0	solvent spigots	2	438 107 V
Fitting with flowing-through single paddle (PVDF) & gasket (FPM)	50.0	solvent spigots	2	438 108 E
PP Fitting World Wide				
• with union nuts and threaded ports				
Fitting with flowing-through single paddle (PVDF) & gasket (FPM)	15.0	fusion spigots	1	438 127 Q
Fitting with flowing-through single paddle (PVDF) & gasket (FPM)	20.0	fusion spigots	1	438 128 Z
Fitting with flowing-through single paddle (PVDF) & gasket (FPM)	25.0	fusion spigots	1	438 129 S
Fitting with flowing-through single paddle (PVDF) & gasket (FPM)	32.0	fusion spigots	1	438 130 X
Fitting with flowing-through single paddle (PVDF) & gasket (FPM)	40.0	fusion spigots	1	438 131 L
Fitting with flowing-through single paddle (PVDF) & gasket (FPM)	32.0	fusion spigots	2	438 133 N
Fitting with flowing-through single paddle (PVDF) & gasket (FPM)	40.0	fusion spigots	2	438 134 P
Fitting with flowing-through single paddle (PVDF) & gasket (FPM)	50.0	fusion spigots	2	438 135 Q
• with weld ends				
Fitting with flowing-through single paddle (PVDF) & gasket (FPM)	15.0	weld ends	1	438 136 R
Fitting with flowing-through single paddle (PVDF) & gasket (FPM)	20.0	weld ends	1	438 137 J
Fitting with flowing-through single paddle (PVDF) & gasket (FPM)	25.0	weld ends	1	438 138 T
Fitting with flowing-through single paddle (PVDF) & gasket (FPM)	32.0	weld ends	1	438 139 U
Fitting with flowing-through single paddle (PVDF) & gasket (FPM)	40.0	weld ends	1	438 140 H
Fitting with flowing-through single paddle (PVDF) & gasket (FPM)	32.0	weld ends	2	438 142 X
Fitting with flowing-through single paddle (PVDF) & gasket (FPM)	40.0	weld ends	2	438 143 Y
Fitting with flowing-through single paddle (PVDF) & gasket (FPM)	50.0	weld ends	2	438 144 Z
PVDF Fitting World Wide				
• with union nuts and threaded ports				
Fitting with flowing-through single paddle (PVDF) & gasket (FPM)	15.0	fusion spigots	1	438 145 S
Fitting with flowing-through single paddle (PVDF) & gasket (FPM)	20.0	fusion spigots	1	438 146 T
Fitting with flowing-through single paddle (PVDF) & gasket (FPM)	25.0	fusion spigots	1	438 147 U
Fitting with flowing-through single paddle (PVDF) & gasket (FPM)	32.0	fusion spigots	1	438 148 D
Fitting with flowing-through single paddle (PVDF) & gasket (FPM)	40.0	fusion spigots	1	438 149 E
Fitting with flowing-through single paddle (PVDF) & gasket (FPM)	32.0	fusion spigots	2	438 151 Y
Fitting with flowing-through single paddle (PVDF) & gasket (FPM)	40.0	fusion spigots	2	438 152 Z
Fitting with flowing-through single paddle (PVDF) & gasket (FPM)	50.0	fusion spigots	2	438 153 S
• with weld ends				
Fitting with flowing-through single paddle (PVDF) & gasket (FPM)	15.0	weld ends	1	438 154 T
Fitting with flowing-through single paddle (PVDF) & gasket (FPM)	20.0	weld ends	1	438 155 U
Fitting with flowing-through single paddle (PVDF) & gasket (FPM)	25.0	weld ends	1	438 156 V
Fitting with flowing-through single paddle (PVDF) & gasket (FPM)	32.0	weld ends	1	438 157 W
Fitting with flowing-through single paddle (PVDF) & gasket (FPM)	40.0	weld ends	1	438 158 F
Fitting with flowing-through single paddle (PVDF) & gasket (FPM)	32.0	weld ends	2	438 160 D
Fitting with flowing-through single paddle (PVDF) & gasket (FPM)	40.0	weld ends	2	438 161 S
Fitting with flowing-through single paddle (PVDF) & gasket (FPM)	50.0	weld ends	2	438 162 T
PVC Fitting ASEAN				
• with union nuts and threaded ports				
Fitting with flowing-through single paddle (PVDF) & gasket (FPM)	15.0	true union	1	438 118 X
Fitting with flowing-through single paddle (PVDF) & gasket (FPM)	20.0	true union	1	438 119 Y
Fitting with flowing-through single paddle (PVDF) & gasket (FPM)	25.0	true union	1	438 120 V
Fitting with flowing-through single paddle (PVDF) & gasket (FPM)	32.0	true union	1	438 121 J
Fitting with flowing-through single paddle (PVDF) & gasket (FPM)	40.0	true union	1	438 122 K
Fitting with flowing-through single paddle (PVDF) & gasket (FPM)	32.0	true union	2	438 124 M
Fitting with flowing-through single paddle (PVDF) & gasket (FPM)	40.0	true union	2	438 125 N
Fitting with flowing-through single paddle (PVDF) & gasket (FPM)	50.0	true union	2	438 126 P
PVC Fitting NAFTA				
• with union nuts and threaded ports				
Fitting with flowing-through single paddle (PVDF) & gasket (FPM)	15.0	true union	1	438 109 F
Fitting with flowing-through single paddle (PVDF) & gasket (FPM)	20.0	true union	1	438 110 T
Fitting with flowing-through single paddle (PVDF) & gasket (FPM)	25.0	true union	1	438 111 Q
Fitting with flowing-through single paddle (PVDF) & gasket (FPM)	32.0	true union	1	438 112 R
Fitting with flowing-through single paddle (PVDF) & gasket (FPM)	40.0	true union	1	438 113 J
Fitting with flowing-through single paddle (PVDF) & gasket (FPM)	32.0	true union	2	438 115 L
Fitting with flowing-through single paddle (PVDF) & gasket (FPM)	40.0	true union	2	438 116 M
Fitting with flowing-through single paddle (PVDF) & gasket (FPM)	50.0	true union	2	438 117 N

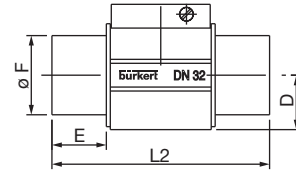
Fitting for Magnetic Paddle Flow Sensor/Switch

Dimensions [mm] for Fittings - Plastic

Fitting with union nuts and threaded ports
PVC, PP or PVDF



Fitting with solvent spigots or weld ends
PVC, PP or PVDF



Example of type 8010 with union nuts and threaded ports
(S010 + SE10)



Orifice DN	Union Nut and Threaded Port									Solvent Spigots and Weld Ends (Tube)						
	ø A		ø C			L			L3	L1	ø F	D	L2		E	
	[mm]	[mm]	DIN	ANSI (*)	JIS (*)	DIN	ANSI	JIS	[mm]	[mm]	[mm]	[mm]	PVC	PP / PVDF	PVC	PP / PVDF
15	43.0	20.0	21.3	18.40	128.0	130.0	129.0	96.0	90.0	20.0	17.5	90.0	85.0	16.5	14.0	
20	53.0	25.0	26.7	26.45	144.0	145.6	145.0	106.0	100.0	25.0	17.5	100.0	92.0	20.0	16.0	
25	60.0	32.0	33.4	32.55	160.0	161.4	161.0	116.0	110.0	32.0	21.5	110.0	95.0	23.0	18.0	
32	44.0	40.0	42.2	38.60	168.0	170.0	169.0	116.0	110.0	40.0	27.5	110.0	100.0	27.5	20.0	
40	83.0	50.0	48.3	48.70	188.0	190.2	190.0	127.0	120.0	50.0	31.5	120.0	106.0	30.0	23.0	
50	103.0	63.0	60.3	60.80	212.0	213.6	213.0	136.0	130.0	63.0	39.5	130.0	110.0	37.0	27.0	

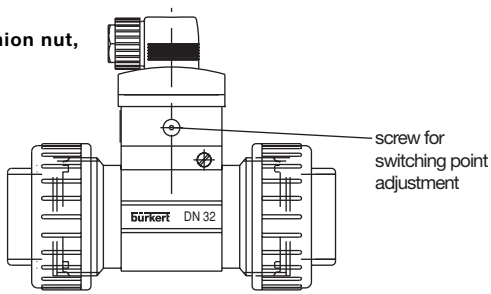
(*) only for PVC

Fitting for Magnetic Paddle Flow Sensor/Switch

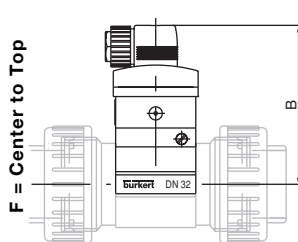
Dimensions [mm] for Fittings with Magnetic Sensor Paddle - Plastic

Example:

Fitting with union nut, threaded port and SE10

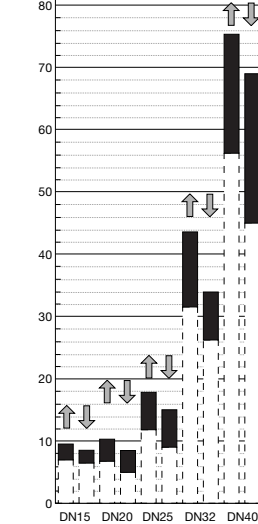


Orifice DN [mm]	Dimensions B [mm]
15	100.0
20	97.0
25	97.0
32	101.0
40	105.0
50	111.0

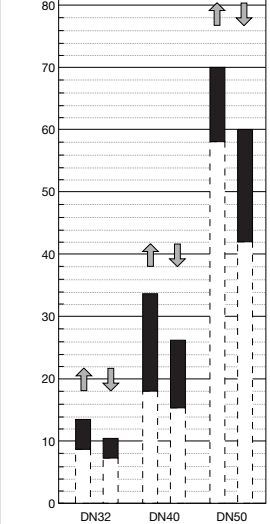


Switching Range Table for Fitting Plastic

Switching Range 1
Q (l/min)



Switching Range 2
Q (l/min)



Inner Materials of all Plastic Fittings

Fitting with internal threaded port connection		
1.	Body	PVC, PP or PVDF
2.	Paddle	PVDF
3.	Shaft	Stainless Steel (316L - 1.4404)
4.	Flat Seal	FPM (EPDM on request)
5.	O-Ring	FPM (EPDM on request)

