



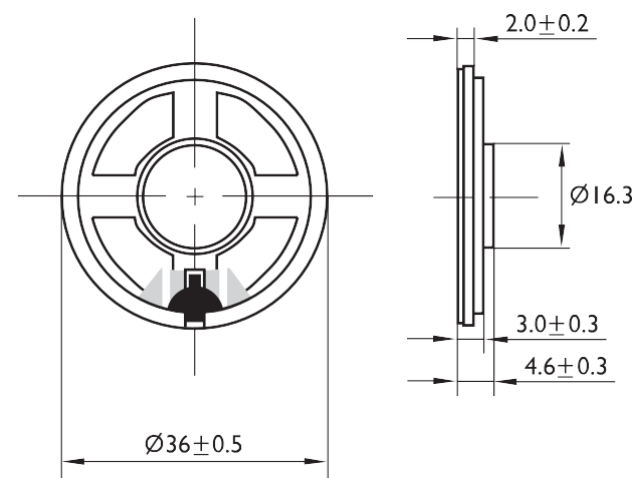
Datasheet

RS Pro 8Ω 1W Miniature Speaker 36mm Dia. 36 x 4.6mm (LxWxD)

RS Stock No: 756-4611

Specifications**ABS-222-RC**

Rated impedance	8±15%Ω
Nominal power	1W
Maximum power	1.2W
Resonant frequency	550±20%Hz
Frequency range	F 0-11,000Hz
Sound pressure level at 1W/1m	85±3dB
Operating temperature	-20°C~+60°C
Storage temperature	-30°C~+60°C
Weight	8.25g
Magnet material	Nd-Fe-B
Magnet size	ø12.5x1.5mm

**Dimensions** Unit: mm**Features**

- ROHS compliant
- Cone material: Black mylar
- Housing material: Metal

All data at 25°C unless otherwise specified



SPEAKER - Frequency Curve

