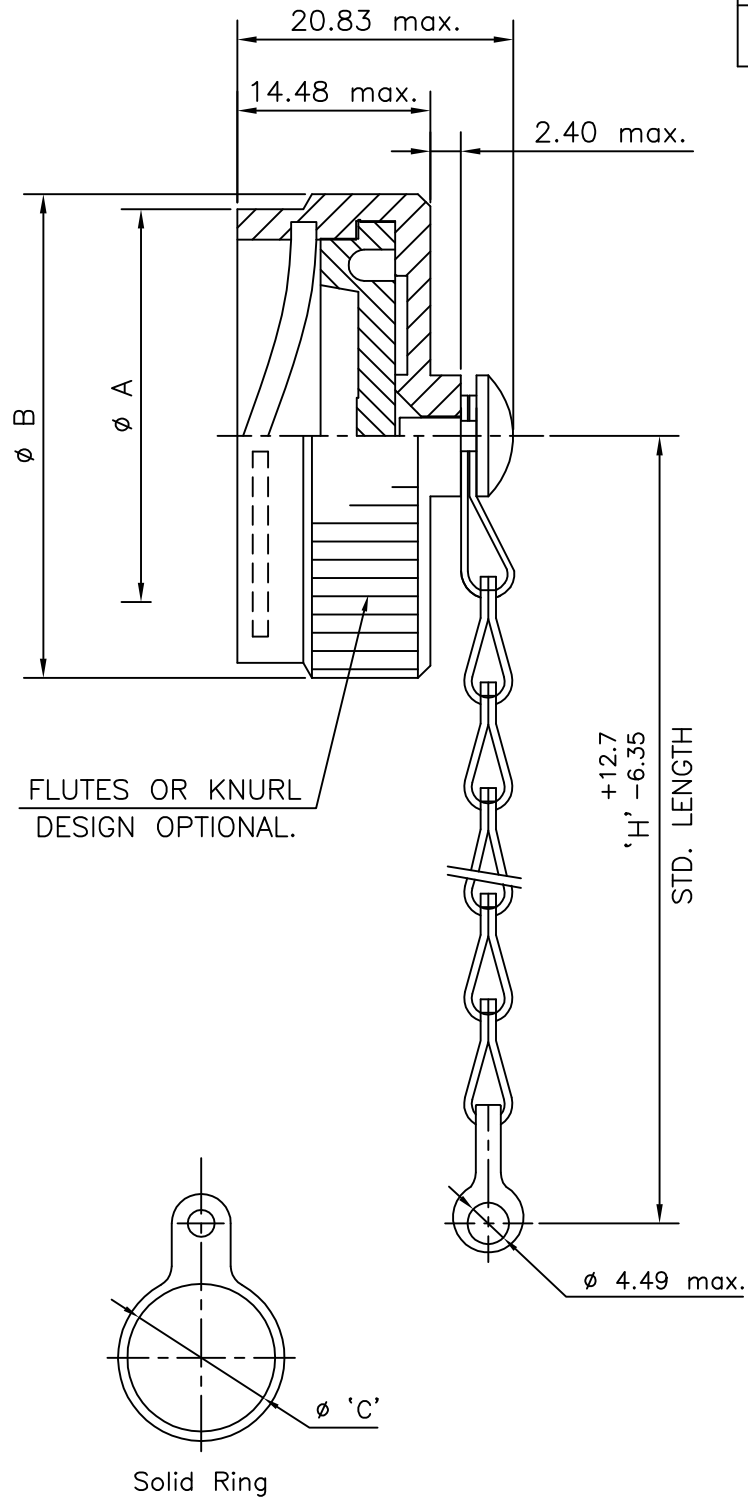


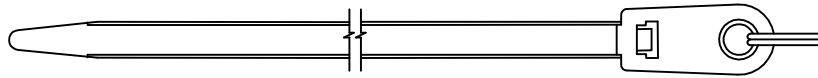
ISSUE NO.	ENG. REF. NO.	DATE	APP. BY
4	-	07/03/17	<i>asmurke</i>

STYLE 'C'

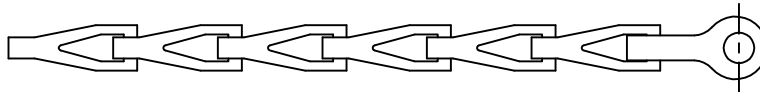


(JT)

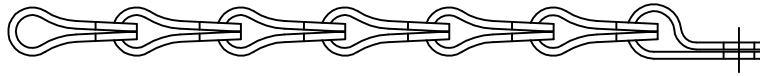
QF-DEV-03 REV-NO. 03	AMPHENOL Amphenol Interconnect India Pvt. Ltd. Pune 411026			TITLE METAL DUST CAP ASSY. FOR D38999 SER-II RECEPT. CONN. (08 OT 24 SIZE)		
	2012	Name	Date	Dwg. Size	Dwg. No.	
	Drawn by	<i>Kulkarni</i>	25/5/12	A4	PSTD-10293	
	Checked by	<i>Ra.Kumar</i>	26/5/12			Sheet 1 of 5
	App. by	<i>asmurke</i>	26/5/12			



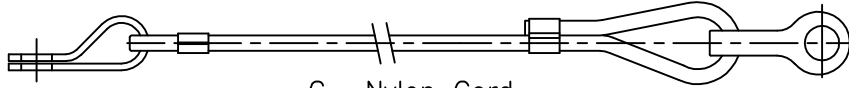
T- Tie Wrap



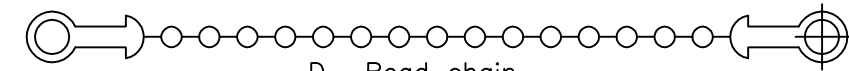
S- Sash Chain



G- Nylon Cord



D- Bead chain



T- (SS) Wire Rope with Teflon Jacket.

All Dimensions are in MM.

SHELL SIZE	Ø A	Ø B	Ø C	H
	MAX	MAX	MIN.	+12.70 -6.35
8	16.00	19.05	22.61	76.20
10	19.33	21.82	25.65	
12	23.77	26.19	28.96	
14	27.28	29.36	32.0	88.90
16	29.77	32.54	35.31	
18	33.12	35.71	38.35	
20	36.45	38.89	41.66	101.60
22	39.62	41.68	44.70	
24	42.88	44.86	48.0	

All Dimensions for reference only.

QF-DEV-03 REV-NO. 03 AUTO-CAD 2008	AMPHENOL Amphenol Interconnect India Pvt. Ltd. Pune 411026		TITLE METAL DUST CAP ASSY. FOR D38999 SER-II RECEPT. CONN. (08 OT 24 SIZE)		
	2012	Name	Date	Dwg. No.	
	Drawn by	<i>Kulkarni</i>	25/5/12	PSTD-10293	All Dimensions are in MM/INCHES-
	Checked by	<i>RaKumar</i>	26/5/12		
App. by	<i>csmurke</i>	26/5/12	A4		STANDARD
			Sheet 2 of 5		

REQUIREMENTS:

MATERIAL :-

Cover : Machined Aluminium alloy

Gasket : Silicone elastomer.

Ring : Stainless steel, passivated.

Rope : 7 strand stainless steel passivated with teflon coating.

Fastener : Stainless steel, passivated. Option: Aluminium Integral to cover.

MATING CONNECTOR :- MIL-DTL-38999 series II.

Gasket shall be mechanically retained.

Rope shall rotate freely on fastener.

(MILITARY PART NUMBER.)

ORDERING INFORMATION:

JANMS27511 A 10 C L

Designates:- Plug Dust Cover

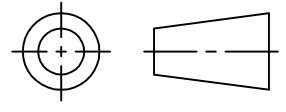
Class:-
 B - Cadmium plate olive drab finish.
 C - Hard Anodize black finish.
 F - Electroless nickel finish.
 Z - Black Zinc Nickel finish.

Shell Size : 08,10,12,14,16,18,20,22 & 24

Style:-
 A - Without Chain or rope
 C - With Chain
 N - With Chain & ring
 R - S.S. Rope hole ϕ 3.28 max. (08 to 22 size)
 ϕ 3.68 max. (24 size)

Length
 L- 127.0 +12.7/-6.35 chain/Rope in lieu of std length.
 Leave blank for std. length. 'H'

NOTE:- FOR NON STANDARD LONG 'L' CONTACT FACTORY.

OF-DEV-03 REV-NO. 03	AMPHENOL Amphenol Interconnect India Pvt. Ltd. Pune 411026			TITLE METAL DUST CAP ASSY. FOR D38999 SER-II RECEPT. CONN. (08 OT 24 SIZE)		
	2012	Name	Date	Dwg. Size	Dwg. No.	
	Drawn by Checked by App. by	<i>Kulkarni</i> <i>Ra.Kumar</i> <i>asmurke</i>	25/5/12 26/5/12 26/5/12	A4	PSTD-10293	STANDARD
Sheet 3 of 5						

(PROPRIETARY PART NUMBER.)

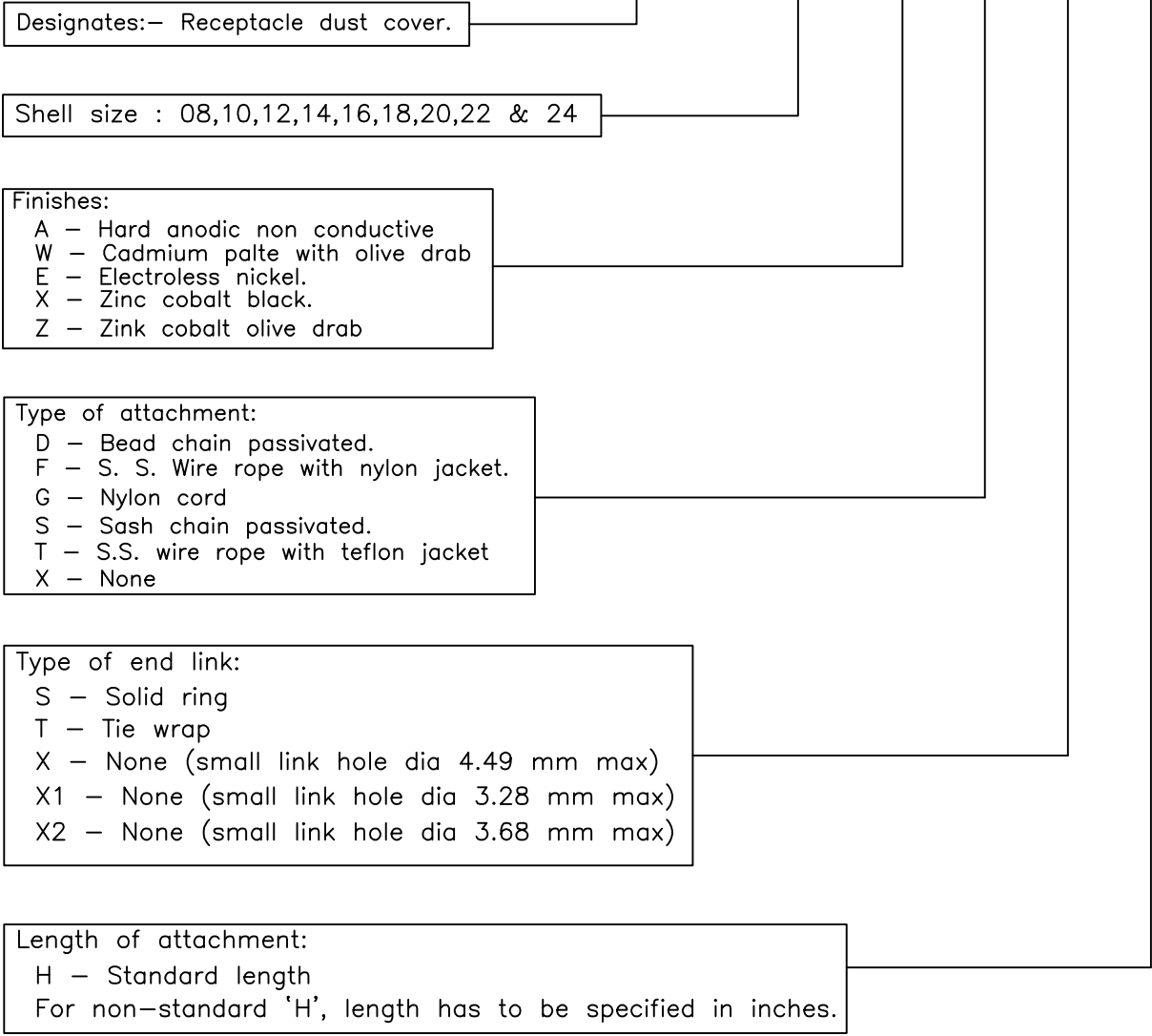
REQUIREMENTS:

MATERIAL :

Cover : Machined Aluminium alloy
 Gasket : Silicone elastomer.
 Fastener : Stainless steel, passivated.

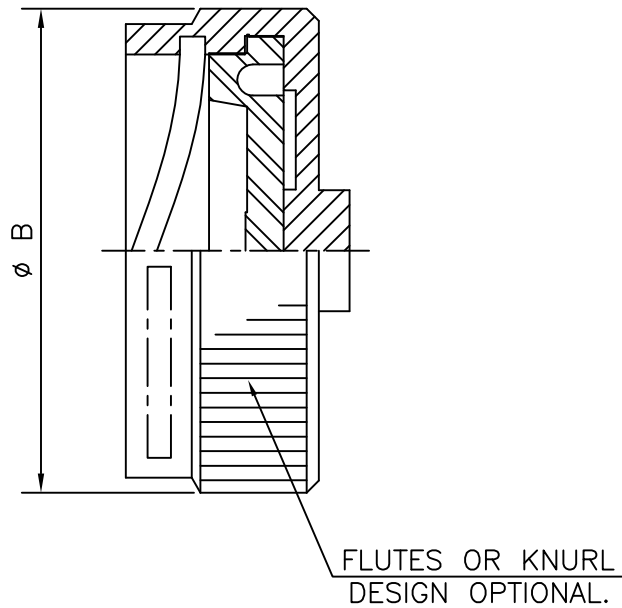
IJT27511 - 08 - A - D - S - H

ORDERING INFORMATION:



QF-DEV-03 REV-NO. 03	AMPHENOL Amphenol Interconnect India Pvt. Ltd. Pune 411026	TITLE METAL DUST CAP ASSY. FOR D38999 SER-II RECEPT. CONN. (08 OT 24 SIZE)		
	2012 Name Date Drawn by <i>Kulkarni</i> 25/5/12 Checked by <i>Ra.Kumar</i> 26/5/12 App. by <i>asmurke</i> 26/5/12	Dwg. Size A4	Dwg. No. PSTD-10293	
	Sheet 4 of 5			STANDARD

STYLE 'A'



REQUIREMENTS:

MATERIAL :

Cover : Machined Aluminium alloy

Gasket : Silicone elastomer.

MATING CONNECTOR: MIL-C-38999 Series II.

Gasket shall be mechanically retained.

ORDERING INFORMATION:

IJT27511 - 08 - A - V1

Designates : Recept. dust cover

Shell size : 08,10,12,14,16,18,20,22 & 24

Class

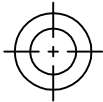
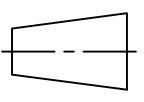
A - Hard anodic

W - Aluminium, 500 Hrs cadmium olive drab.

F - Aluminium, 48 Hrs. electroless nickel.

T - Nickel PTFE finish.

VARIANT

QF-DEV-03 REV-NO. 03	AUTO-CAD 2008	AMPHENOL		TITLE		 	
		Amphenol Interconnect India Pvt. Ltd. Pune 411026		METAL DUST CAP ASSY. FOR D38999 SER-II RECEPT. CONN. (08 OT 24 SIZE)			All Dimensions are in MM/INCHES-
		2012	Name	Date	Dwg. Size		
Drawn by	<i>Kulkarni</i>	25/5/12	A4	PSTD-10293		STANDARD	
Checked by	<i>RaKumar</i>	26/5/12					
App. by	<i>csmurke</i>	26/5/12					Sheet 5 of 5