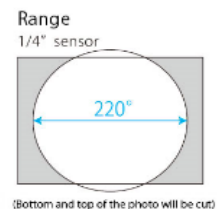


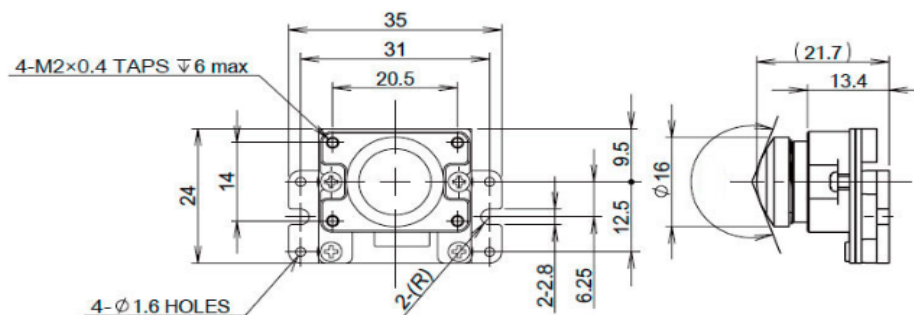
Product Name	VR 220 Camera	VR 220 MOD KIT
		
Camera Body	Spresense camera board(CXD5502PWBCAMI)	-
Number of effective pixels	2608 (H) x 1960 (V) = approx. 5.11 M pixels	-
Size	24.0 mm x 25.0 mm	-
Sensor	ISX012(1/4")	-
Weight	14g	-
Lens	Assembled (SS-L220)	Included (SS-L220)
Banded	Enclosed Cable	-
Model Type	SS-VC1	SS-MK1
Note	Lens is included. (SS-L220)	Lens is included. (SS-L220) SPRESENSE Camera Board is not included.

### Lens SS-L220

<b>Field of View</b>	220° (V:200° H:220°)
<b>F Number</b>	2.1



- SPRESENSE Camera Board is not included in this kit. Please purchase separately.
- SS-VC1 is Pre-Assembled module.
- This product is a kit made by modifying SPRESENSE Camera board.
- SS-VC1 is able to exchange lenses as interchangeable lens camera. Therefore, dust may adhere to the sensor. Please blow off the dust with a blower.



This frame uses aluminum material with superb heat dissipation quality