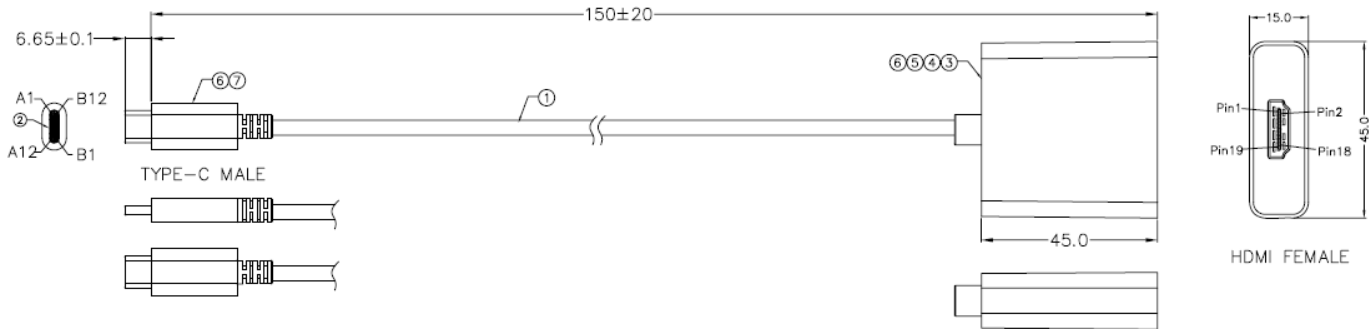


# Datasheet

## HDMI Female to Type C Male Supports 4K2K

RS Stock number 895-0546

Unit: mm



7	INNER MOLD	LD-PE	
6	OVER MOLD	TPE COLOR: WHITE	
5	ABS SHELL	HDMI WITHE ABS HOOD	
4	PCBA	USB C TYPE TO HDMI PCBA	
3	CONNECTOR 2	HDMI FEMALE PIN G/F,SHELL PLATED NICKEL	
2	CONNECTOR 1	USB3.1 C TYPE MALE PIN G/F,SHELL PLATED NICKEL	
1	CABLE	USB3.1 CABLE (32AWG*1P+DW+AL+HM)*4C+(32AWG*1P+2D+AL)*1C +32AWG*4C+26AWG*1C+F+AB+JACKET OD:4.5±0.15mm TPE WHITE	
NO.	PART NAME	SPEC DESCRIPTION	REMAKE

**PIN ASSIGNMENT:**

