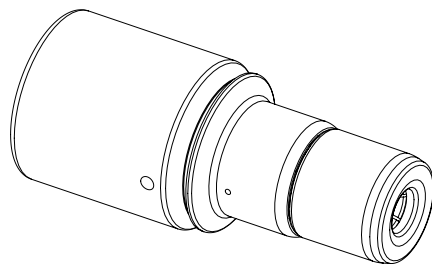



assembly notes see catalog
 crimp zone acc. to VDE 0295 class 5 / IEC 60228 class 5
 wire gauge: 150mm²
 stripping length: 22mm



	All rights reserved Department EL PD	All Dimensions in mm Original Size DIN A4		Scale 2:1	Free size tol.		Ref. Sub.		
		Created by griepenstroh	Inspected by griepenstroh	Standardisation	Date 07-Nov-2024	State 40 - Released		Doc-Key / ECM-Nr. DS00238490	
HARTING D-32339 Espelkamp		Title Han TC400_CT_SMC_M_CRT_150mm ² _Ag			Type TB	Design Number DS00238490	SAP Mat. Number 09110006577	Rev. C	Page 1/1