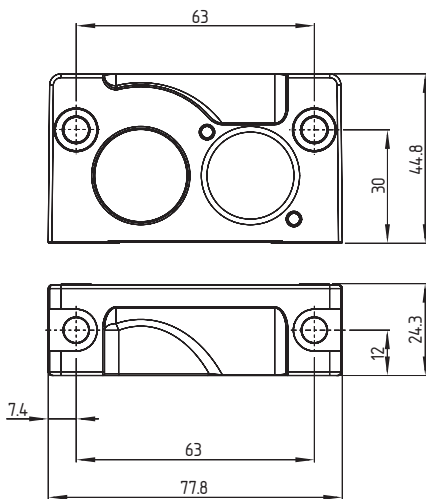




EN Operating instructions. page 1
Original

Dimensions

All measurements in mm.



General mounting instructions



Please observe the remarks of the standards ISO 12100, ISO 14119 und ISO 14120.

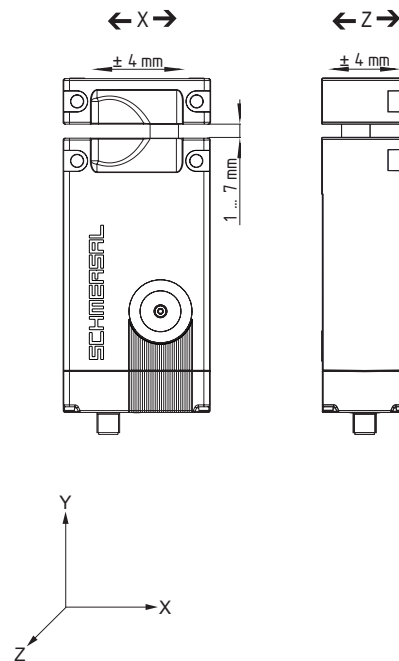
For the correct fixing of the solenoid interlock, the device is provided with two mounting holes for M6-screws.



The M6 screws should have at least the strength class 10.9. The max. tightening torque of the M6 screws is 8 Nm.

Any mounting position. Operating the system is only allowed with a distance between the solenoid interlock and the actuator of > 1 mm and < 7 mm at a tilt angle of less than 2 degrees. Also a parallel alignment of the solenoid interlock and the actuator is recommended.

Offset:



The approach direction must only be from the X or Z directions.



A distance of at the most 7 mm must be achieved between the actuator and interlock in order for the specified holding force and safe interlocking function to be reached according to SIL 3. The construction of the safety door must be designed so that it is not possible to move the protection equipment with the actuator in the Y-axis so far that the distance between interlock and actuator is larger than 7 mm.



The actuator must be permanently fitted to the safety guards and protected against displacement by suitable measures (tamperproof screws, gluing, drilling, pinning).

K. A. Schmersal GmbH & Co. KG
Mödinghofe 30, D - 42279 Wuppertal
Postfach 24 02 63, D - 42232 Wuppertal

Phone: +49 - (0)2 02 - 64 74 - 0
Telefax: +49 - (0)2 02 - 64 74 - 1 00
E-Mail: info@schmersal.com
Internet: <http://www.schmersal.com>

