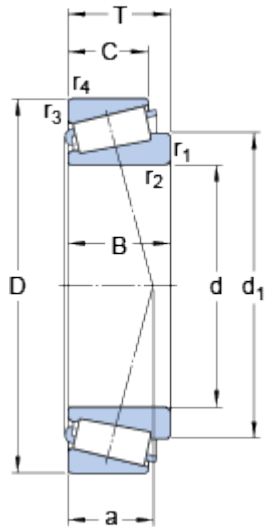


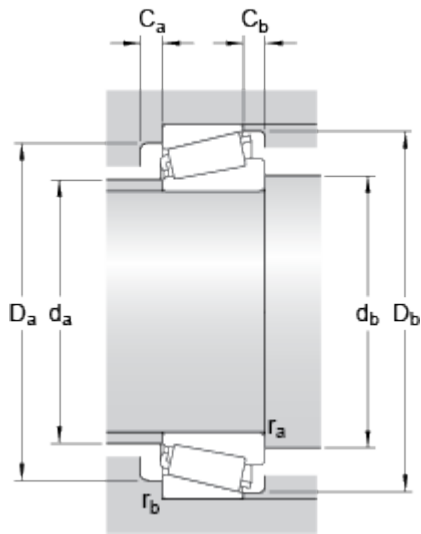
# 30210 J2/Q

## Dimensions



d		50	mm
D		90	mm
T		21.75	mm
d <sub>1</sub>	≈	68	mm
B		20	mm
C		17	mm
r <sub>1,2</sub>	min.	1.5	mm
r <sub>3,4</sub>	min.	1.5	mm
a		19	mm

## Abutment dimensions



d <sub>a</sub>	max.	59	mm
d <sub>b</sub>	min.	59	mm
D <sub>a</sub>	min.	79	mm
D <sub>a</sub>	max.	82	mm
D <sub>b</sub>	min.	85	mm
C <sub>a</sub>	min.	3	mm
C <sub>b</sub>	min.	4.5	mm
r <sub>a</sub>	max.	1.5	mm
r <sub>b</sub>	max.	1.5	mm

## Calculation data

Basic dynamic load rating	C	76.5	kN
Basic static load rating	C <sub>0</sub>	91.5	kN
Fatigue load limit	P <sub>u</sub>	10.4	kN
Reference speed		5600	r/min
Limiting speed		7500	r/min
Calculation factor	e	0.43	
Calculation factor	Y	1.4	

Calculation factor

$Y_0$

0.8

**Mass**

---

Mass bearing

0.541

kg