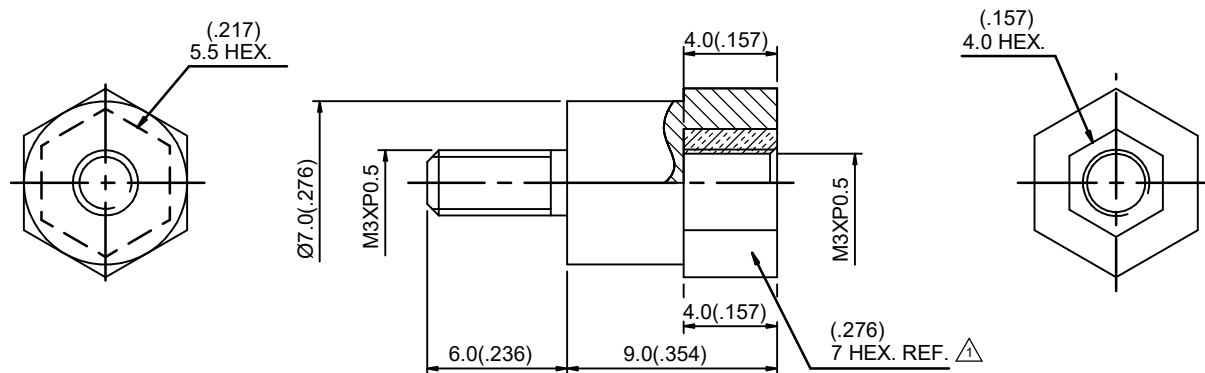
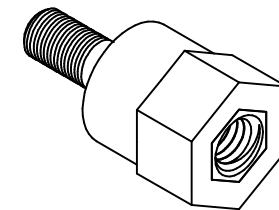



NO.	DESCRIPTION	DATE
△	7.0 HEX. → 7 HEX. REF.	12.27.23'



P/N: 6539504

APPROVED by _____ DATE: _____

RS Stock No: 653-9504

DESCRIPTION		SPACER		品名		DATE		REV.	
製圖	Jenny	TOLERANCE	.X ±0.2	TITLE	40950000000025	日期	02.25.20'	版次	A-1
檢圖	Jenny	.XX	±0.1	單位	\ROHS COMPLIANT	DWG.NO. 95-0086			
認定	Jenny	.XXX	±0.05	比例					
		ANGLE	± 5°	SCALE	4:1				



NO	DESCRIPTION	MATERIAL	Q'TY	FINISH
3	NUT	BRASS	1	NICKEL
2	INSULATION	N140-3C22	1	NONE
1	SCREW	BRASS	1	NICKEL