



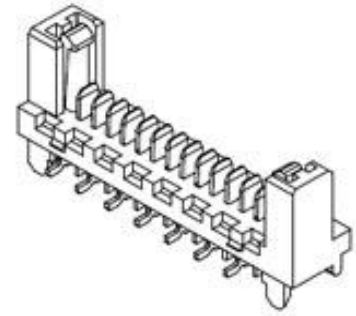
**Part Number :** [908160206](#)

**Product Description :** Picoflex Surface Mount Latched Vertical Header with PCB Pegs, 6 Circuits, Tin (Sn) Plating, Black

**Series Number :** 90816

**Status :** Active

**Product Category :** PCB Headers and Receptacles



---

## Documents & Resources

### Drawings

[908160206\\_sd.pdf](#)

[PK-90816-006-001.pdf](#)

### 3D Models and Design Files

[STEP AP242](#)

[SOLIDWORKS](#)

[Creo](#)

[Symbol and Footprint \(Multi-Format\)](#)

### Specifications

[908140000-AS-000.pdf](#)

[PK-90816-001-001.pdf](#)


[PS-99020-0011-001.pdf](#)

[TS-90816-001-001.pdf](#)

---

## Product Environment Compliance

### Compliance

GADSL/IMDS	Not Relevant
China RoHS	 per SJ/T 11365-2006
EU ELV	Not Relevant
Low-Halogen Status	Not Low-Halogen per IEC 61249-2-21
REACH SVHC	Not Contained per D(2025)4165-DC (25 June 2025)

EU RoHS	Compliant per EU 2015/863
---------	---------------------------

### Compliance Statements

- EU RoHS
- REACH SVHC
- Low-Halogen

### Industry Documents

- IPC 1752A Class C
- IPC 1752A Class D
- Molex Product Compliance Declaration
- IEC-62474
- chemSHERPA (xml)

### Substances of Interest

- PFAS

### EU RoHS Certificate of Compliance

### Additional Product Compliance Information

## Part Details

### General

Status	Active
Category	PCB Headers and Receptacles
Series	90816
Description	Picoflex Surface Mount Latched Vertical Header with PCB Pegs, 6 Circuits, Tin (Sn) Plating, Black
Application	Signal, Wire-to-Board
Component Type	PCB Header
Product Name	Picoflex
UPC	883906498924

### Electrical

Current - Maximum per Contact	1.2A
Voltage - Maximum	250V

### Physical

Breakaway	No
Circuits (Loaded)	6

Circuits (maximum)	6
Color - Resin	Black
Durability (mating cycles max)	5
First Mate / Last Break	No
Glow-Wire Capable	No
Guide to Mating Part	No
Keying to Mating Part	N/A
Lock to Mating Part	Yes
Material - Metal	Brass
Material - Plating Mating	Tin
Material - Plating Termination	Nickel
Material - Resin	Nylon
Net Weight	0.449/g
Number of Rows	1
Orientation	Vertical
Packaging Type	Embossed Tape on Reel
PCB Locator	Yes
PCB Retention	None
PCB Thickness - Recommended	1.60mm
PC Tail Length	1.05mm
Pitch - Mating Interface	1.27mm
Pitch - Termination Interface	1.27mm
Plating min - Mating	0.076µm
Plating min - Termination	3.000µm
Polarized to Mating Part	Yes
Polarized to PCB	Yes
Shrouded	Partial
Stackable	No
Temperature Range - Operating	-40° to +105°C
Termination Interface Style	Surface Mount

---

## Mates With / Use With

### Mates with Part(s)

Description	Part Number

Picoflex PF-50 Low Profile IDT Receptacles	<u>90327</u>
---	--------------

---

This document was generated on Sep 23, 2025