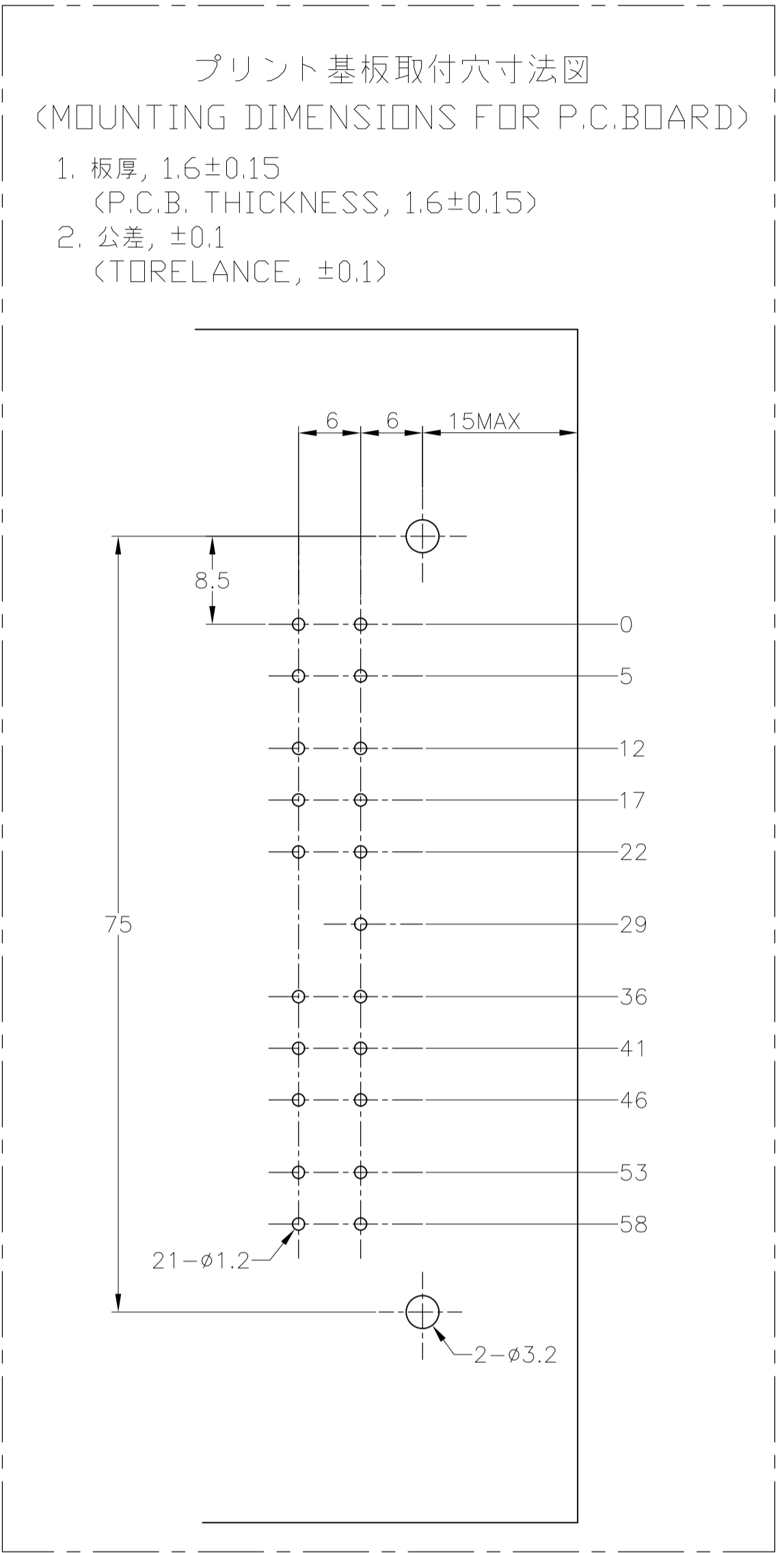
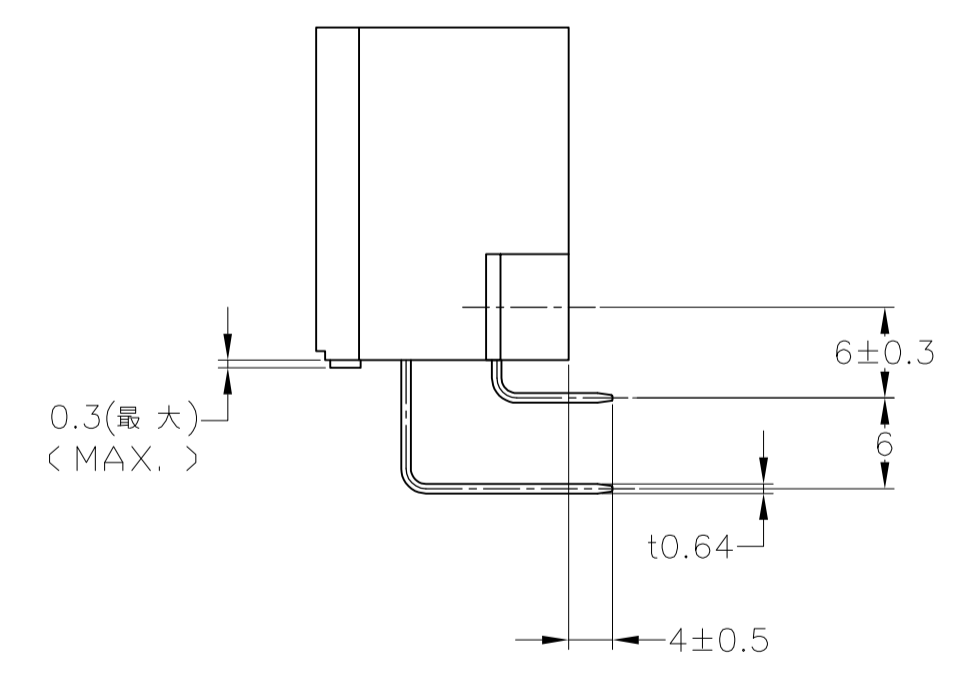
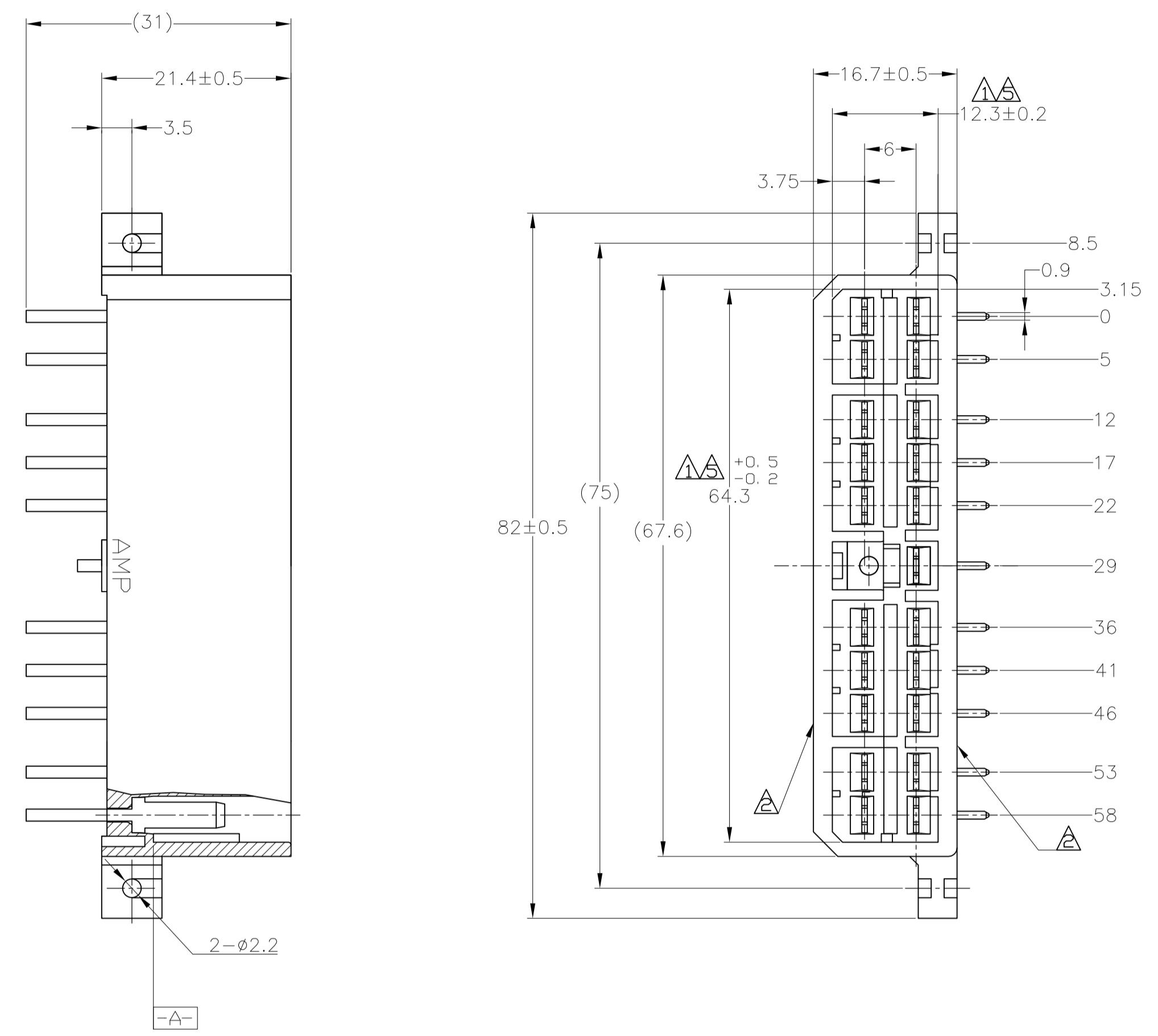
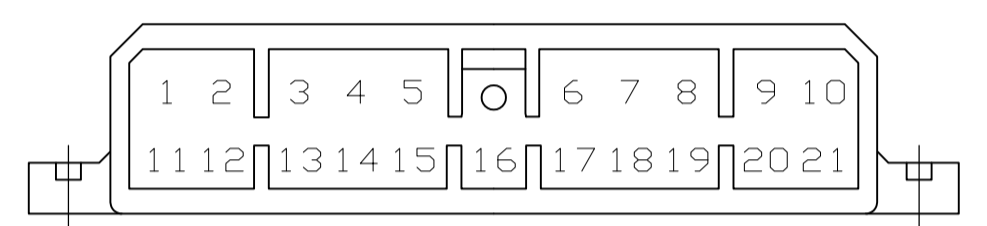


REVISEMENTS		DATE	BY	APPROV
NO.	DESCRIPTION			
K4	REVISED PER ECO-11-005140	28MAR11	RK	HMR



- 注記:
- △ 相手ハウジングと所定の機能を満たしてかん合できること。
 - △ フードの反りは0.2以内。
 - 3 プリント基板への取付けは JIS B1115 M3 1種のタッピングネジで締め付けた後はんだ付けする。
 - 4 適用製品規格: 108-5093
 - △ -A- 面より2mmの範囲で測定のこと。
 - 6 相手ハウジングとのかん合力は、29.4N以下。但し、リセプタクルコンタクトは含まない。
 - △ 金めっき位置番号: 下図参照のこと (回路番号ではありません)
- NOTE:
- △ IN COUPLING WITH THE PLUG HOUSING MATING SATISFIES FUNCTION
 - △ WARPAGE 0.2 MAX.
 - 3 SOLDERING AFTER MOUNTING P. C. BOARD BY 3mmDIA TAPPING SCREW, SPECIFIED IN JIS B1115
 - 4 PRODUCT SPEC NO. 108-5093
 - △ TO BE MEASURED WITHIN 2mm FROM -A-
 - 6 IN COUPLING WITH THE PLUG HOUSING MATING FORCE 29.4N MAX. WITHOUT RECEPTACLE CONTACT
 - △ GOLD PLATED POSITION NUMBER. (NOT CIRCUIT NUMBER)



POSITION	FINISH	PLATING	COLOR	PART NUMBER	
①~②	SELECTIVE-TIN (MATTE)	SELECTIVE GOLD (0.38μm MIN.)	NATURAL	3-5171367-1	
①~②	SELECTIVE-TIN (MATTE)	SELECTIVE GOLD (0.76μm MIN.)	NATURAL	2-5171367-1	
⑥ ⑨ ⑩ ⑰ ⑳	TIN-LEAD	SELECTIVE GOLD (0.38μm MIN.)	NATURAL	4-171367-1	
		PRE-TIN			
OBSOLETE ①~⑩ ⑰ ⑳	TIN-LEAD	SELECTIVE GOLD (0.38μm MIN.)	GREEN	3-171367-4	
		TIN-LEAD	SELECTIVE GOLD (0.38μm MIN.)	NATURAL	3-171367-1
OBSOLETE ①~⑩ ⑰ ⑳	TIN-LEAD	SELECTIVE GOLD (0.76μm MIN.)	GREEN	2-171367-4	
		TIN-LEAD	SELECTIVE GOLD (0.76μm MIN.)	NATURAL	2-171367-1
③ ⑨ ⑬ ⑮	TIN-LEAD	SELECTIVE GOLD (0.38μm MIN.)	YELLOW	1-171367-7	
		PRE-TIN			
			GRAY	1-171367-6	
			BLUE	1-171367-5	
			GREEN	1-171367-4	
			BROWN	1-171367-3	
			BLACK	1-171367-2	
③ ⑨ ⑬ ⑮	TIN-LEAD	SELECTIVE GOLD (0.38μm MIN.)	NATURAL	1-171367-1	
		PRE-TIN			
--		PRE-TIN	GRAY	171367-6	
--		PRE-TIN	BLUE	171367-5	
--		PRE-TIN	GREEN	171367-4	
--		PRE-TIN	BROWN	171367-3	
--		PRE-TIN	BLACK	171367-2	
--		PRE-TIN	NATURAL	171367-1	
GOLD PL. POSITION No. 金めっき位置番号	SOLDERING SIDE 半田付け部	CONTACT SIDE 接触部側	COLOR 色	PART NUMBER 製品型番	
		CONTACT FINISH コンタクト仕上			

TOLERANCE UNLESS OTHERWISE SPECIFIED.
 公差
 一般公差

0 <= X <= 10 : ±0.2
 10 <= X <= 30 : ±0.25
 30 <= X <= 100 : ±0.3
 ANGLE : ±3°

THIS DRAWING IS A CONTROLLED DOCUMENT. 31AUG07
 T. SHINOHARA
 DIMENSIONS: mm
 TOLERANCES UNLESS OTHERWISE SPECIFIED: 一般公差
 0 PL ±
 1 PL ±
 2 PL ±
 3 PL ±
 4 PL ±
 ANGLES ±

APPROVED: K. BETSUJI 31AUG07
 NAME: 石川 敬
 PRODUCT SPEC: 21P HORIZONTAL TYPE CAP HOUSING MULTI-INTERLOCK CONN. WIRE TO PCB
 APPLICATION SPEC: 取付適用規格
 NOTE 4

MATERIAL: HSG: 66 NYLON CONTACT: BRASS
 FINISH: 仕上

WEIGHT: --
 SIZE: A1
 CAGE CODE: 00779
 DRAWING NO: 171367
 RESTRICTED TO: --

CUSTOMER DRAWING SCALE: 2:1 SHEET: 1 OF 1 REV: K4

STE TE Connectivity