



22MM PLASTIC ROUND COMPLETE UNIT  
COMBINATION: PUSH-PULL BUTTON 40MM LATCHING  
W.PULL-TO-UNLOCK MECH. SCREW TERMINAL,  
1NC WITH HOLDER RED

Actuator:	
Design of the product	Complete unit round
Design of the operating mechanism	Mushroom-shaped push-pull switch
Functionality / of the actuator	Latching
Type of unlocking device	pull-to-unlatch mechanism
Color / of the activation element	Red
Material / of the activation element	plastic
Number of switching positions	2
Product component / front ring	Yes
Material / of the front ring	plastic
Color / of the front ring	black
Design of the front ring	Standard
Product function / EMERGENCY STOP function	No

Holder:	
Material / of the holder	Plastic

Contact block/ lampholder:	
Design of the electrical connection	screw-type terminals
Number of switching elements	1
Number of NC contacts / for auxiliary contacts	1

<b>Number of NO contacts / for auxiliary contacts</b>	0
<b>Number of changeover contacts / for auxiliary contacts</b>	0
<b>Product function / positive opening</b>	Yes
<b>Number of lampholders</b>	0
<b>Product component / fluorescent materials</b>	No
<b>Product extension / optional / fluorescent materials</b>	No

#### Accessories:

**Product component / holder for 3 switching elements**

No

#### General technical data:

**Voltage type / of operating voltage**

AC/DC

**Operating voltage / rated value**

- minimum

V

5

- maximum

V

400

**Operating current**

- at AC-12

- at 24 V / rated value

A

10

- at 48 V / rated value

A

10

- at 110 V / rated value

A

10

- at 230 V / rated value

A

10

- at 400 V / rated value

A

10

- at AC-15

- at 24 V / rated value

A

6

- at 48 V / rated value

A

6

- at 110 V / rated value

A

6

- at 230 V / rated value

A

6

- at 400 V / rated value

A

3

- at DC-12

- at 24 V / rated value

A

10

- at 48 V / rated value

A

5

- at 110 V / rated value

A

2.5

- at 230 V / rated value

A

1

- at DC-13

- at 24 V / rated value

A

3

- at 48 V / rated value

A

1.5

- at 110 V / rated value

A

0.7

- at 230 V / rated value

A

0.3

**Resistance against shock**

- for devices without incandescent lamp / according to IEC 60068-2-27

<= 50g

Resistance against vibration / according to IEC 60068-2-6		20 ... 200 Hz: 5g
Operating cycles / maximum	1/h	1,000
Mechanical operating cycles as operating time / typical		300,000
Reference code		S
<ul style="list-style-type: none"> <li>• according to DIN EN 61346-2</li> <li>• according to DIN 40719 extended according to IEC 204-2 / according to IEC 750</li> </ul>		S
Tightening torque / of the screws in the bracket / maximum	N-m	1
Ambient temperature		
<ul style="list-style-type: none"> <li>• during operating</li> <li>• during storage</li> </ul>	°C	-25 ... +70
	°C	-40 ... +80
Protection class IP		IP66
climatic class / during the operating phase / according to EN 60721		3K6
Mounting type		front mounting
Shape / of the installation hole		round
Installation width	mm	40
Mounting diameter	mm	22
Mounting height	mm	23.5
Mounting depth	mm	49

#### Certificates/ approvals:

##### General Product Approval



EG-Konf.

[Special Test Certificate](#)

##### Shipping Approval



LRS



PRS



RINA

##### other

[Confirmation](#)

[other](#)

[Environmental Confirmations](#)

#### Further information:

##### Information- and Downloadcenter (Catalogs, Brochures,...)

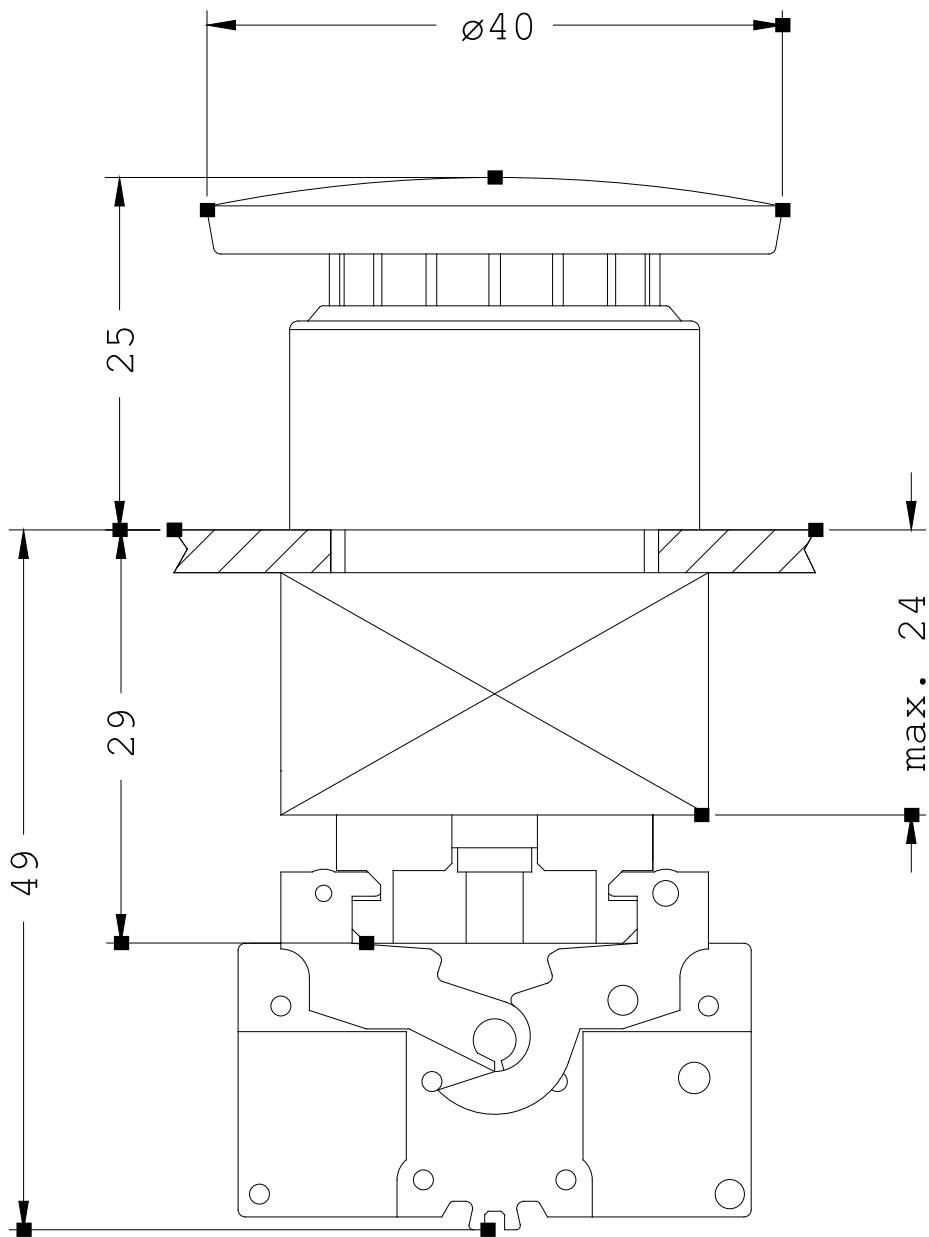
<http://www.siemens.com/industrial-controls/catalogs>

##### Industry Mall (Online ordering system)

<http://www.siemens.com/industrial-controls/mall>

##### Cax online generator

<http://www.siemens.com/cax>



last change:

Jul 7, 2014