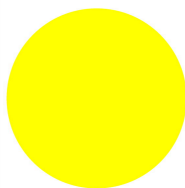




**Guard-ring, emergency switching off**




**Part no.** M22-XGPV  
**Catalog No.** 231273  
**Alternate Catalog No.** M22-XGPVQ  
**EL-Nummer (Norway)** 4355466

**Delivery program**

|                            |  |  |  |
|----------------------------|--|--|--|
| Product range              |  |  | Accessories  |
| Single unit/Complete unit  |  |  | Single unit  |
| <b>Colour</b>              |  |  |  |
| RAL Value                  |  |  | RAL 1004   |
|                            |  |  | yellow   |
|                            |  |  |  |
| Degree of Protection       |  |  | IP65   |
| Connection to SmartWire-DT |  |  | no   |

**Technical data**

**General**

|                         |  |    |  |
|-------------------------|--|----|--|
| Degree of Protection    |  |    | IP65   |
| Ambient temperature     |  |    |  |
| Open                    |  | °C | -25 - +70  |
| shipping classification |  |    | DNV<br>GL<br>LR  |
|                         |  |    |    |

**Design verification as per IEC/EN 61439**

|  |            |    |  |
|--|------------|----|--|
| Technical data for design verification   |            |    |  |
| Rated operational current for specified heat dissipation   | $I_n$      | A  | 0  |
| Heat dissipation per pole, current-dependent   | $P_{vid}$  | W  | 0  |
| Equipment heat dissipation, current-dependent  | $P_{vid}$  | W  | 0  |
| Static heat dissipation, non-current-dependent   | $P_{vs}$   | W  | 0  |
| Heat dissipation capacity  | $P_{diss}$ | W  | 0  |
| Operating ambient temperature min.   |            | °C | -25  |
| Operating ambient temperature max.   |            | °C | 70   |
| IEC/EN 61439 design verification   |            |    |  |
| 10.2 Strength of materials and parts   |            |    |  |
| 10.2.2 Corrosion resistance  |            |    | Meets the product standard's requirements. |
| 10.2.3.1 Verification of thermal stability of enclosures   |            |    | Meets the product standard's requirements. |
| 10.2.3.2 Verification of resistance of insulating materials to normal heat   |            |    | Meets the product standard's requirements. |
| 10.2.3.3 Verification of resistance of insulating materials to abnormal heat and fire due to internal electric effects |            |    | Meets the product standard's requirements. |

|  |  |  |  |
|--|--|--|--|
| 10.2.4 Resistance to ultra-violet (UV) radiation         |  |  | Please enquire   |
| 10.2.5 Lifting   |  |  | Does not apply, since the entire switchgear needs to be evaluated.                                       |
| 10.2.6 Mechanical impact                                 |  |  | Does not apply, since the entire switchgear needs to be evaluated.                                       |
| 10.2.7 Inscriptions                                      |  |  | Meets the product standard's requirements.   |
| 10.3 Degree of protection of ASSEMBLIES                  |  |  | Does not apply, since the entire switchgear needs to be evaluated.                                       |
| 10.4 Clearances and creepage distances                   |  |  | Meets the product standard's requirements.   |
| 10.5 Protection against electric shock                   |  |  | Does not apply, since the entire switchgear needs to be evaluated.                                       |
| 10.6 Incorporation of switching devices and components   |  |  | Does not apply, since the entire switchgear needs to be evaluated.                                       |
| 10.7 Internal electrical circuits and connections        |  |  | Is the panel builder's responsibility.   |
| 10.8 Connections for external conductors                 |  |  | Is the panel builder's responsibility.   |
| 10.9 Insulation properties                               |  |  |  |
| 10.9.2 Power-frequency electric strength                 |  |  | Is the panel builder's responsibility.   |
| 10.9.3 Impulse withstand voltage                         |  |  | Is the panel builder's responsibility.   |
| 10.9.4 Testing of enclosures made of insulating material |  |  | Is the panel builder's responsibility.   |
| 10.10 Temperature rise                                   |  |  | Not applicable.  |
| 10.11 Short-circuit rating                               |  |  | Is the panel builder's responsibility. The specifications for the switchgear must be observed.           |
| 10.12 Electromagnetic compatibility                      |  |  | Is the panel builder's responsibility. The specifications for the switchgear must be observed.           |
| 10.13 Mechanical function                                |  |  | The device meets the requirements, provided the information in the instruction leaflet (IL) is observed. |

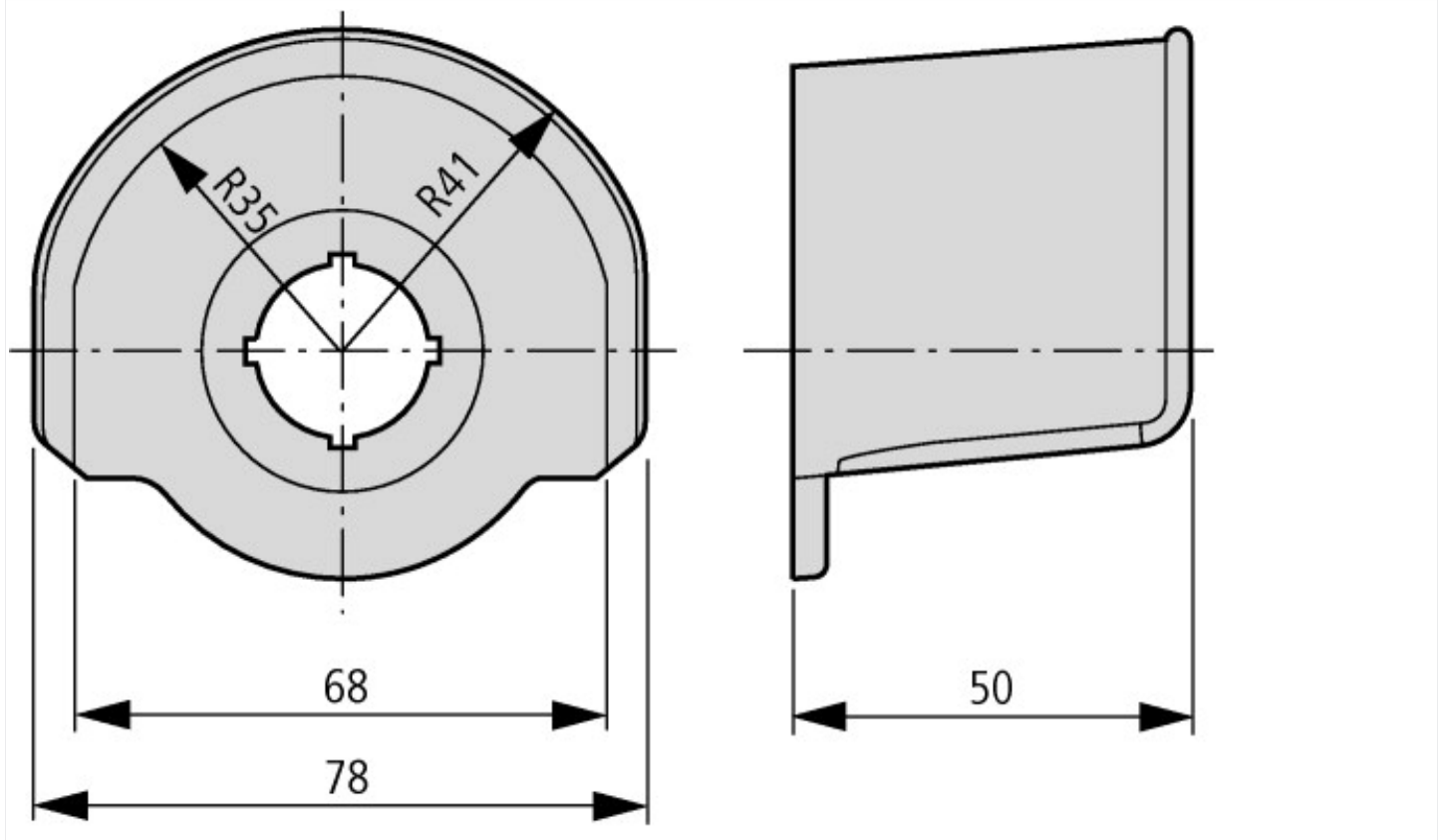
## Technical data ETIM 7.0

|   |  |  |                   |
|---|--|--|-------------------|
| Low-voltage industrial components (EG000017) / Accessories for control circuit devices (EC002024) |  |  |                   |
| Type of electrical accessory  |  |  | Other             |
| Type of mechanical accessory  |  |  | Protective collar |

## Approvals

|                             |  |  |  |
|-----------------------------|--|--|--|
| Product Standards           |  |  | IEC/EN 60947-5; UL 508; CSA-C22.2 No. 14-05; CSA-C22.2 No. 94-91; CE marking |
| UL File No.                 |  |  | E29184   |
| UL Category Control No.     |  |  | NKCR   |
| CSA File No.                |  |  | 012528   |
| CSA Class No.               |  |  | 3211-03  |
| North America Certification |  |  | UL listed, CSA certified   |
| Degree of Protection        |  |  | UL/CSA Type 3R, 4X, 12, 13   |

## Dimensions



## Assets (links)

[Declaration of CE Conformity](#)

00003255