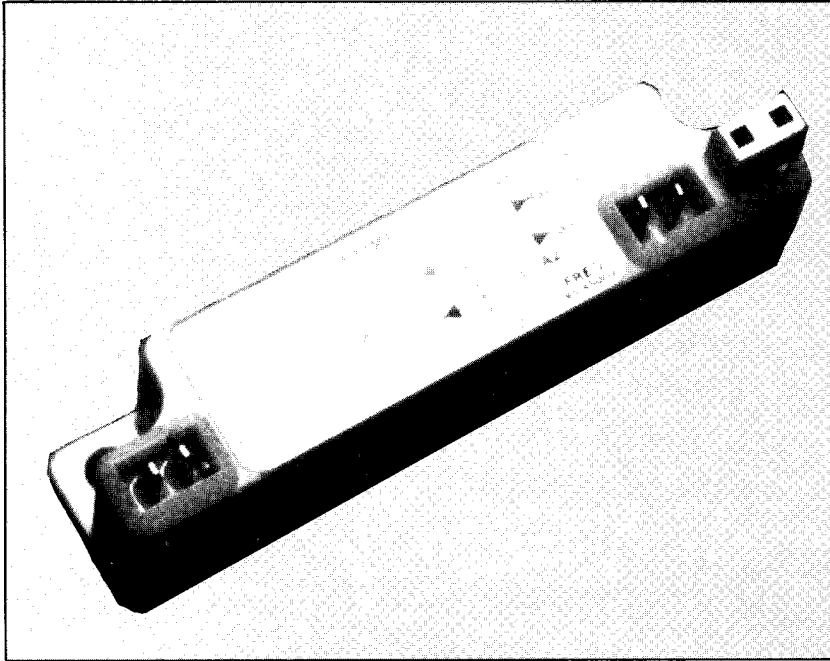


SEMIKRON

innovation + service



SKPC100 is one of the new generation of Semikron Power Control Modules (SEMI-PCM). The new design allows triggering of a wide range of SCR's for both zero voltage or instantaneous switching applications. Thus forming the basis of very high power solid state relays. The SKPC100 is particularly suitable for highly inductive or large in-rush current type loads.

The improved design incorporates a wider range of input logic voltages, operation in D.C. bridges type B2HZ/B2HKF and higher operating temperatures. The opto-isolated input circuit has a high sensitivity and is protected against reverse voltage connections.

The versatile packaging is fully compatible for mounting with SEMIPACK 1 to SEMIPACK 4 SCR Modules. Identical polarised dual plugs, as used for SEMIPACK gate/cathode connections, are provided to simplify wiring of the SKPC100 to SEMIPACK Modules.

SKPC100
INSTANTANEOUS
TRIGGER
CONTROL MODE

SKPC100Z
ZERO VOLTAGE
TRIGGER
CONTROL MODE

MAIN FEATURES

- * TTL and CMOS compatible
- * Fully Isolated protected input
- * Conforms to UL, CSA and VDE requirements
- * Triggers, wide range of SCR's
- * Versatile Package

TYPICAL APPLICATIONS

- * High Power Solid State Relays
- * High In-rush Current Loads
- * Phase Angle Control of Heating Loads etc.

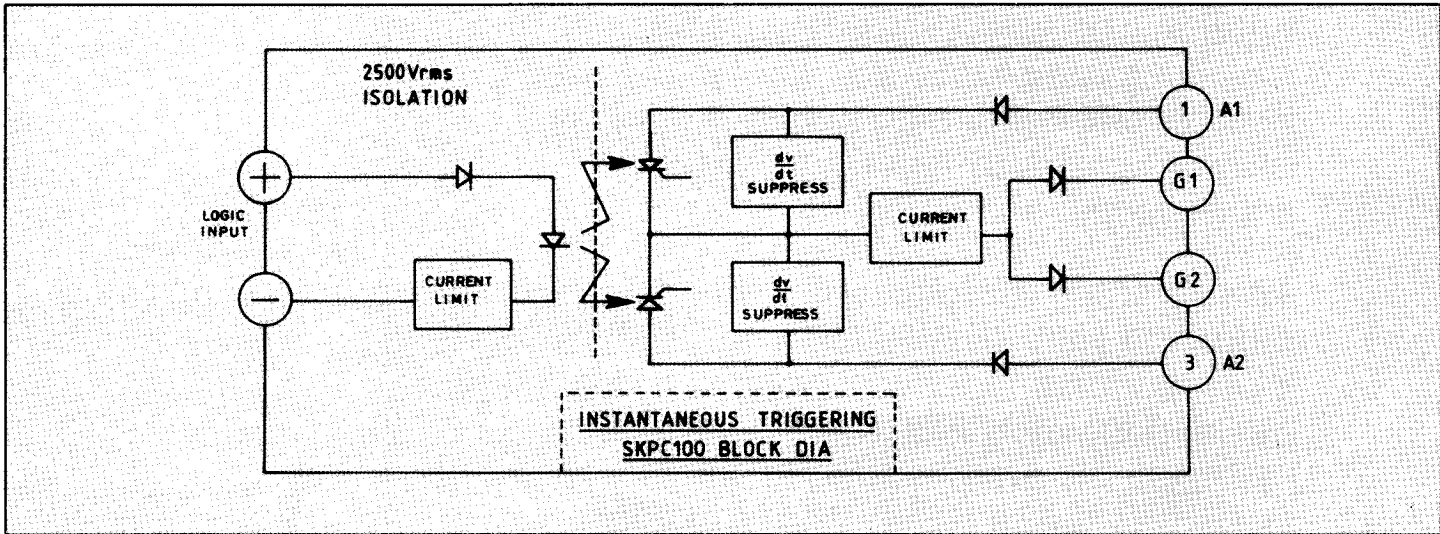
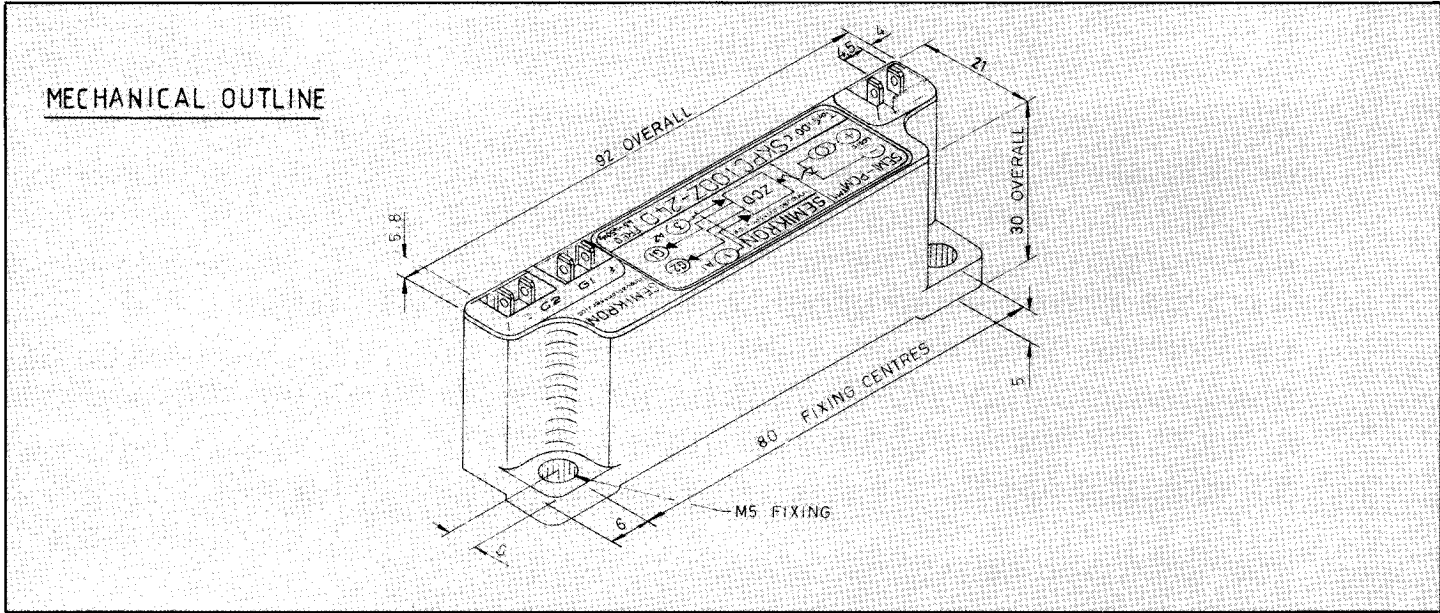
PRODUCT TYPES:	SKPC100 - 240	INST. TRIGGER	240Vrms
	SKPC100Z - 240	ZERO V. TRIGGER	240Vrms
	SKPC100 - 440	INST. TRIGGER	440Vrms
	SKPC100Z - 440	ZERO V. TRIGGER	440Vrms

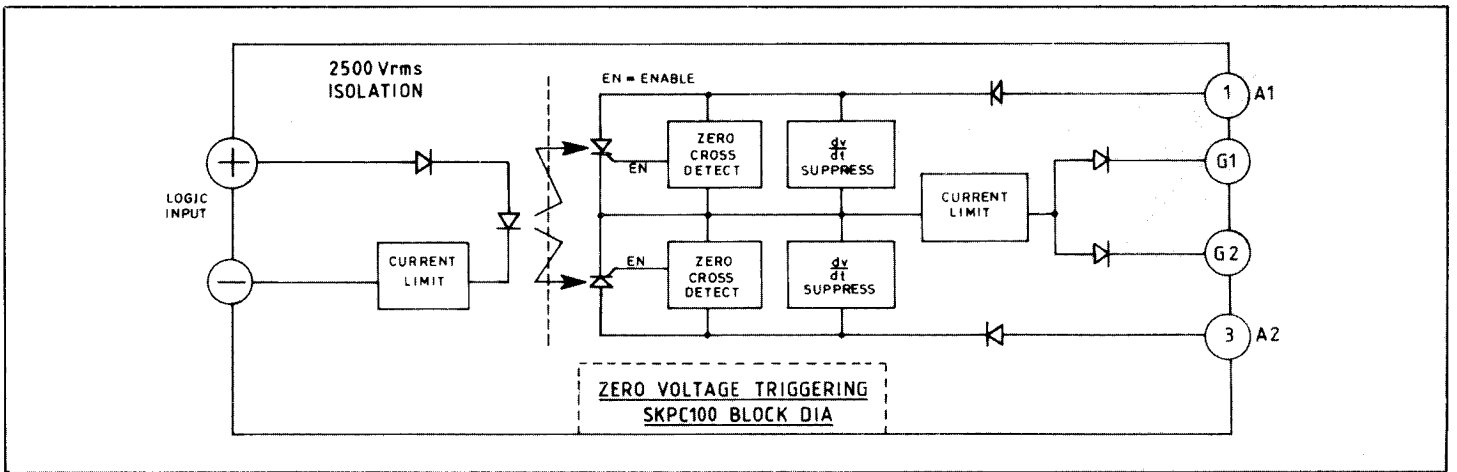
ELECTRICAL SPECIFICATIONS:

Operating Supply Voltage	Nom. + 10%, -20%
Operating Frequency	45 - 450Hz
Input Logic Trigger Voltage/Current	4 - 32V/10 - 30mA max.
Non Trigger Input Voltage	1.5V typ., 2.0V max.
Critical Dv/Dt	500V/ μ s min. for 240V type 100V/ μ s min. for 440V type
Peak Gate Output Current	1.7A @ 90°C Conduction Angle
R.M.S. Gate Current	100mA max.
Zero Voltage Crossing)	35V max. for SKPC100Z - 240
Inhibit Voltage)	70V max. for SKPC100Z - 440
Input/Output Isolation	2.5KV rms

MECHANICAL SPECIFICATIONS:

Storage Temperature	-40°C to +125°C
Operating Temp.	-30°C to +100°C
Operating Humidity	80% RH Non-Condensing
Flame Retardance	UL94-VO
Weight	60 gms
Mounting	80mm Centres, M5 screws, 2Nm Torque
Hardware Supplied	2 screws, 3 plugs, 6 crimps

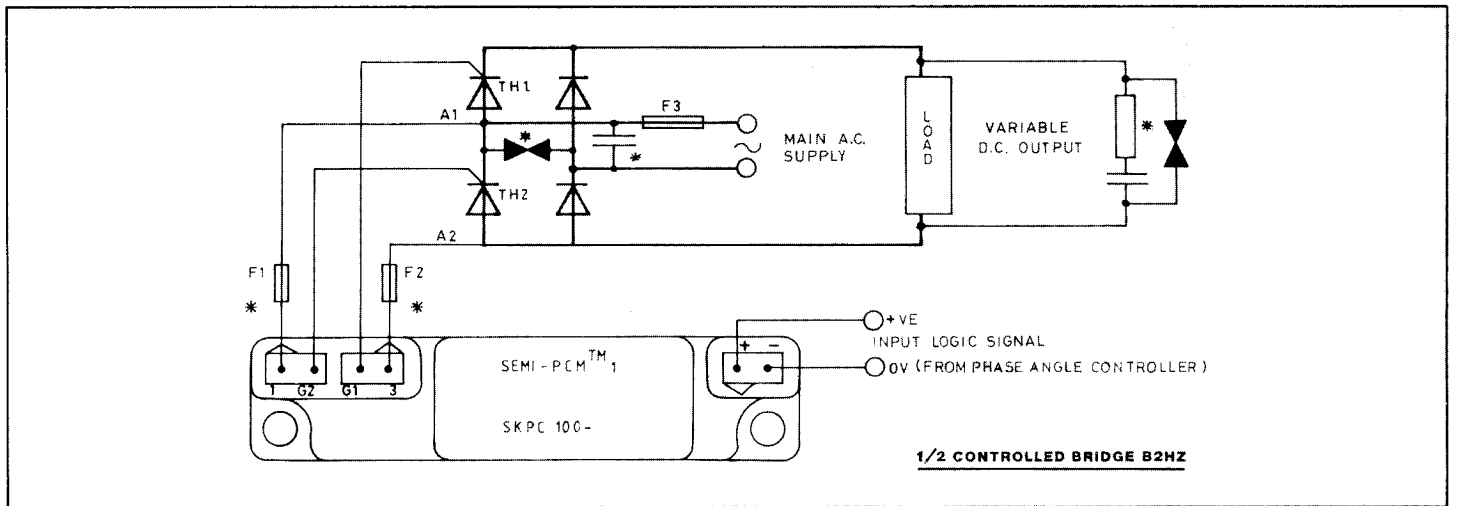
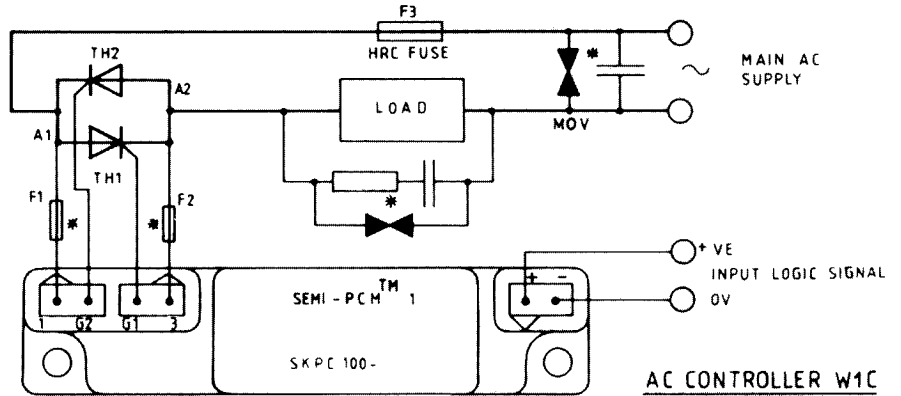




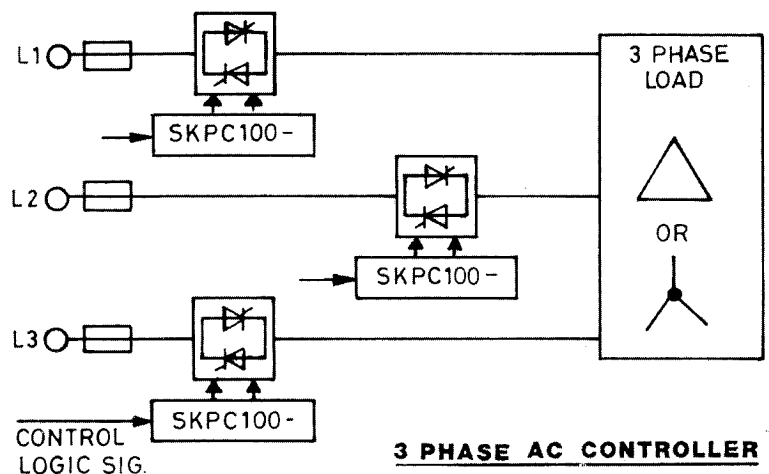
NOTES

1. FUSE F1 AND F2 RECOMMENDED: 500mA FAST BLOW (HRC) TYPE
2. USE SKPC100 FOR PHASE ANGLE CONTROL APPLICATIONS
3. USE SKPC100Z FOR ZERO CROSS (SOLID STATE RELAY) APPLICATIONS

* RECOMMENDED PROTECTIVE COMPONENTS



APPLICATION EXAMPLES



PRODUCT TYPES:	SKPC100 - 240	INST. TRIGGER	240Vrms
	SKPC100Z - 240	ZERO V. TRIGGER	240Vrms
	SKPC100 - 440	INST. TRIGGER	440Vrms
	SKPC100Z - 440	ZERO V. TRIGGER	440Vrms

ELECTRICAL SPECIFICATIONS:

Operating Supply Voltage	Nom. + 10%, -20%
Operating Frequency	45 - 450Hz
Input Logic Trigger Voltage/Current	4 - 32V/10 - 30mA max.
Non Trigger Input Voltage	1.5V typ., 2.0V max.
Critical Dv/Dt	500V/ μ s min. for 240V type 100V/ μ s min. for 440V type
Peak Gate Output Current	1.7A @ 90°C Conduction Angle
R.M.S. Gate Current	100mA max.
Zero Voltage Crossing)	35V max. for SKPC100Z - 240
Inhibit Voltage)	70V max. for SKPC100Z - 440
Input/Output Isolation	2.5KV rms

MECHANICAL SPECIFICATIONS:

Storage Temperature	-40°C to +125°C
Operating Temp.	-30°C to +100°C
Operating Humidity	80% RH Non-Condensing
Flame Retardance	UL94-VO
Weight	60 gms
Mounting	80mm Centres, M5 screws, 2Nm Torque
Hardware Supplied	2 screws, 3 plugs, 6 crimps

