

nut keeper kit 3 units accessory for: 3VA1 400/630 3VA2 400/630



Model	
product brand name	SETRON
product designation	accessories
design of the product	nut keeper kit 3 units
accessories	Nut keeper kit

Connections according IEC	
thickness / of the busbar / maximum	0.4 mm
width / of the busbar / maximum	35 mm

Connections according UL	
thickness / of the busbar / maximum	0.4 in

Certificates		
General Product Approval	EMC	Declaration of Conformity



[Miscellaneous](#)



Test Certificates	Marine / Shipping	other	Environment
-------------------	-------------------	-------	-------------

[Type Test Certificates/Test Report](#)



[Miscellaneous](#)

[Confirmation](#)

[Miscellaneous](#)

[Environmental Confirmations](#)

Further information

Siemens has decided to exit the Russian market (see here).

<https://press.siemens.com/global/en/pressrelease/siemens-wind-down-russian-business>

Siemens is working on the renewal of the current EAC certificates.

Please contact your local Siemens office on the status of validity of the EAC certification if you intend to import or offer to supply these products to an EAC relevant market (other than the sanctioned EAEU member states Russia or Belarus).

Information on the packaging

<https://support.industry.siemens.com/cs/ww/en/view/109813875>

Information- and Downloadcenter (Catalogs, Brochures,...)

<http://www.siemens.com/lowvoltage/catalogs>

Industry Mall (Online ordering system)

<https://mall.industry.siemens.com/mall/en/en/Catalog/product?mlfb=3VA9403-0QA00>

Service&Support (Manuals, Certificates, Characteristics, FAQs,...)

<https://support.industry.siemens.com/cs/ww/en/ps/3VA9403-0QA00>

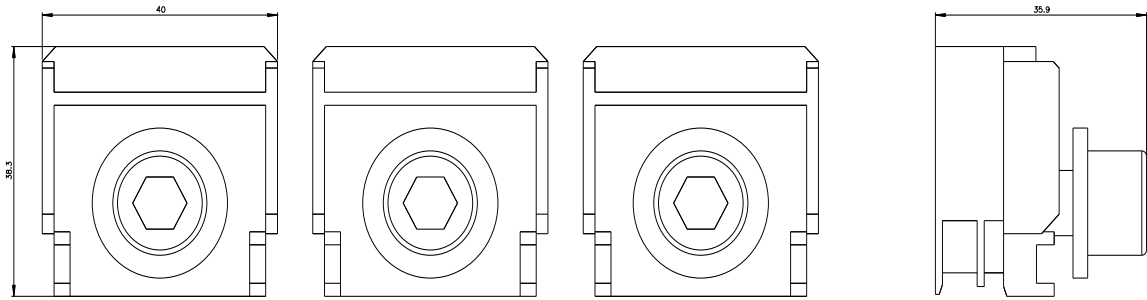
Image database (product images, 2D dimension drawings, 3D models, device circuit diagrams, ...)

http://www.automation.siemens.com/bilddb/cax_en.aspx?mlfb=3VA9403-0QA00

CAX-Online-Generator

<http://www.siemens.com/cax>

Tender specifications



last modified:

8/19/2022 