

Datasheet

Silver Oxide Coin Button Battery

RS Stock No. [595-659](#)

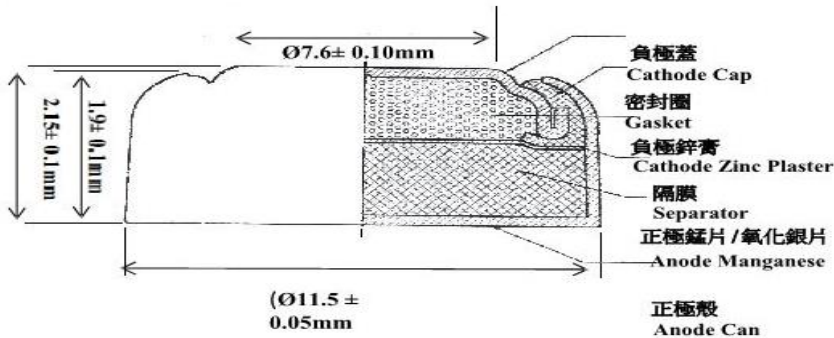


Description

Non-rechargeable silver oxide coin/button cells suitable for use in cameras, clocks, watches and calculators

(SR55/SR1120 SILVER CELL

DIMENSIONS:



(NMINAL VOLTAGE : 1.5 VOLT
 APPROX. SERVICE CAPACITY : 43 mAh (40%Ag₂O)
 APPROX. WEIGHT : 0.86 g
 RATED AT 15,000 OHMS LOAD TESTED AT 21°C WITHIN 30 DAYS OF MANUFACTURE.
 SYSTEM : ZINC/ SILVER DIOXIDE , MANGANESE DIOXIDE.

ESTIMATED AVERAGE HOURS SERVICE AT 21°C

