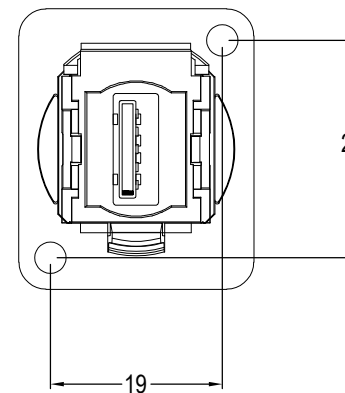
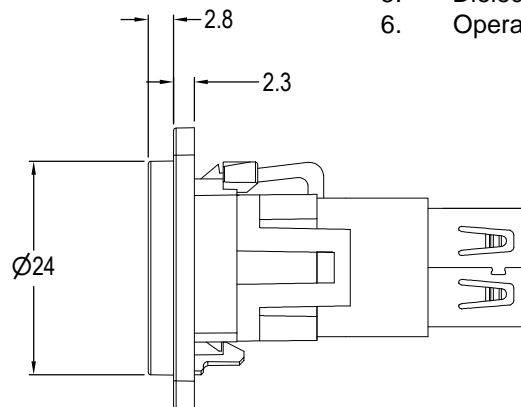
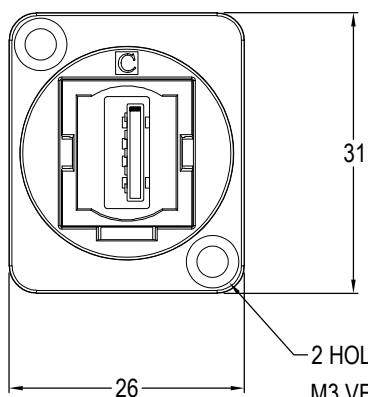
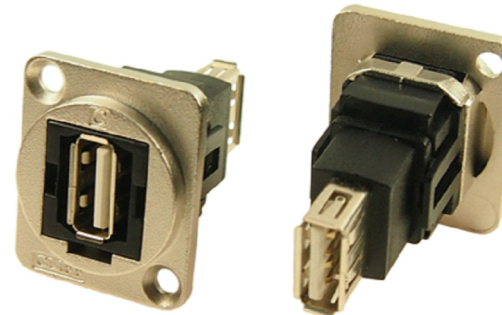


Material:

1. Insert: ABS
2. Frame: Nickel plated zinc diecast
3. Shell: Nickel plated steel
4. Contacts: Gold Plated

Notes:

1. Voltage rating: 30V AC
2. Current rating: 1.5 A max
3. Contact resistance: 50mΩ max
4. Insulation resistance: 20MΩ min
5. Dielectric withstanding voltage: 500V AC
6. Operating Temperature: -20°C to 50°C



ISS.	AMEND	DATE
1	ISSUED	04/09/15
2	PICTURE UPDATED	10/11/16
3	ADD M3 VARIANT	29/05/18

VARIANTS	
PART No.	HOLE DETAILS
CP30208NM	HOLE Ø3.50 x CSK 82° x Ø5.85
CP30208NM3	M3 HOLES



TOLERANCE
 NO DEC. PLACE ±
 1 DEC. PLACE ±
 2 DEC. PLACE ±
 HOLE Ø ±
 ANGLES ±
 UNLESS OTHERWISE STATED

DIMENSIONS IN MILLIMETERS UNLESS OTHERWISE STATED. WORK TO DIMENSIONS. REMOVE ALL BURRS. IF IN DOUBT ASK.

3rd ANGLE PROJECTION:

DO NOT SCALE

MATERIAL: See Notes

TITLE: FT METAL USB 2.0 A to USB 2.0 A

FINISH: See Notes

DRAWN: D.P.J.

APPROVED: D.P.J.

DRWG. No.

FORM: A4DRWGf