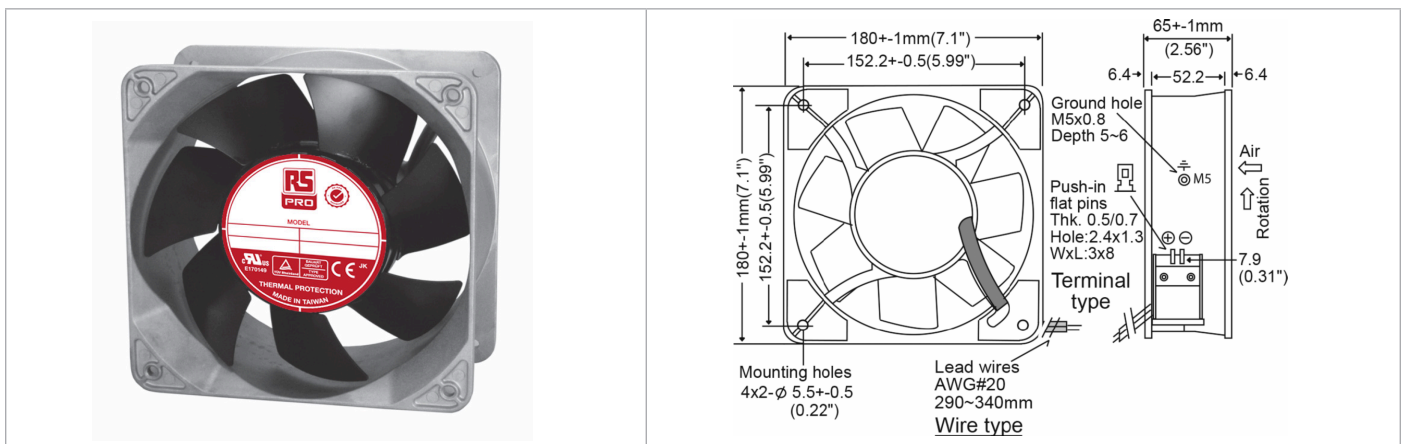




Datasheet

RS PRO AC AXIAL FAN 230VAC 180×180×65mm METAL IP56

EN



Frame	Diecast Aluminum	<u>Operating Temperature</u>	
Impeller	Metal Alloy	Ball Bearing	
Connection	2x Lead Wires 20 AWG or terminals	-30C ~ +80C (non-condensing)	
Motor	Shaded pole, thermally protected	Storage Temp	
Bearing System	Dual ball bearing	-40C ~ +100C	
Insulation Resistance	>100M ohm between lead-wire and frame (500VDC)	<u>Life Expectancy</u>	
Dielectric Strength	1 min at 1500 VAC, 50/60Hz	Ball Bearing	
		50,000 hours (L10 at 55C)	
		Environmental Protection	
		IP56	
		Weight:~ 1.7 kg (3.75 lbs)	
		m0	

Model Number	175-9823	175-9783
Connection	Wire Leads	Terminals
Rated Speed (RPM)	2750	2750
Airflow - CFM	330	330
Noise Level - (dB)	65	65
Volts	230	230
Voltage Range	200-240	200-240
Watts	60	60
Max. Static Pressure	0.60" H ₂ O	0.60" H ₂ O
Curves	5 (50Hz)	5 (50Hz)