

Product information

92 21 01 ESD

Universal Tweezers ESD

DIN EN 61340 -5-1



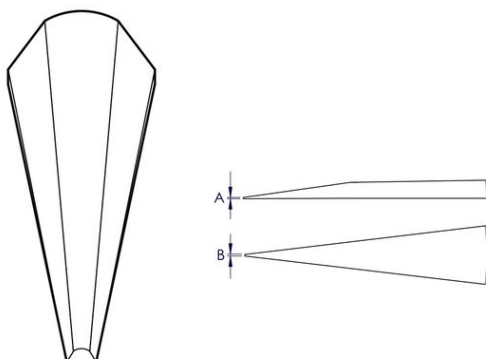
- Electrically dissipative coating: Universal tweezers in the ESD version equalize differences in electrical potential between their user and the workpieces in a controlled manner
- ESD-tested, black epoxy resin coating with a surface resistance between 10^4 and 10^9 ohms
- For the electronics and precision engineering industries
- Antimagnetic to avoid electromagnetic damage
- Wide range of designs: straight, angled, gripping surfaces and handles smooth or serrated, with needle points, narrow or blunt tips
- The high quality stainless steel ensures extreme toughness and very good corrosion resistance against a variety of atmospheric environments and many corrosive materials
- Also available as a set (92 00 01 ESD)
- Stainless steel

General

Article No.	92 21 01 ESD
EAN	4003773086772
Material	stainless steel
Gripping surfaces	smooth gripping surfaces
Weight	17 g
Dimensions	125 x 11 x 12 mm
Standard	DIN EN 61340 -5-1
Reach-konform	no
RohS-konform	no

Technical details

Surface	matt finish
Finish	straight
Tips width (A)	0.2 mm
Tips width (B)	0.25 mm
Tweezers tip version	needle-point
Corrosion-resistant	yes
Acid resistance	very good
ESD-tested	yes
VDE tested	no
Sectors	electronics
Magnetic	non-magnetisable (80%)
Behaviour	electrically dissipative





Classification	
eCl@ss 5.1.4	21040500
ETIM 5.0	EC000182
ETIM 6.0	EC000182
proficl@ss 6.0	EAB696c019

technical change and errors excepted