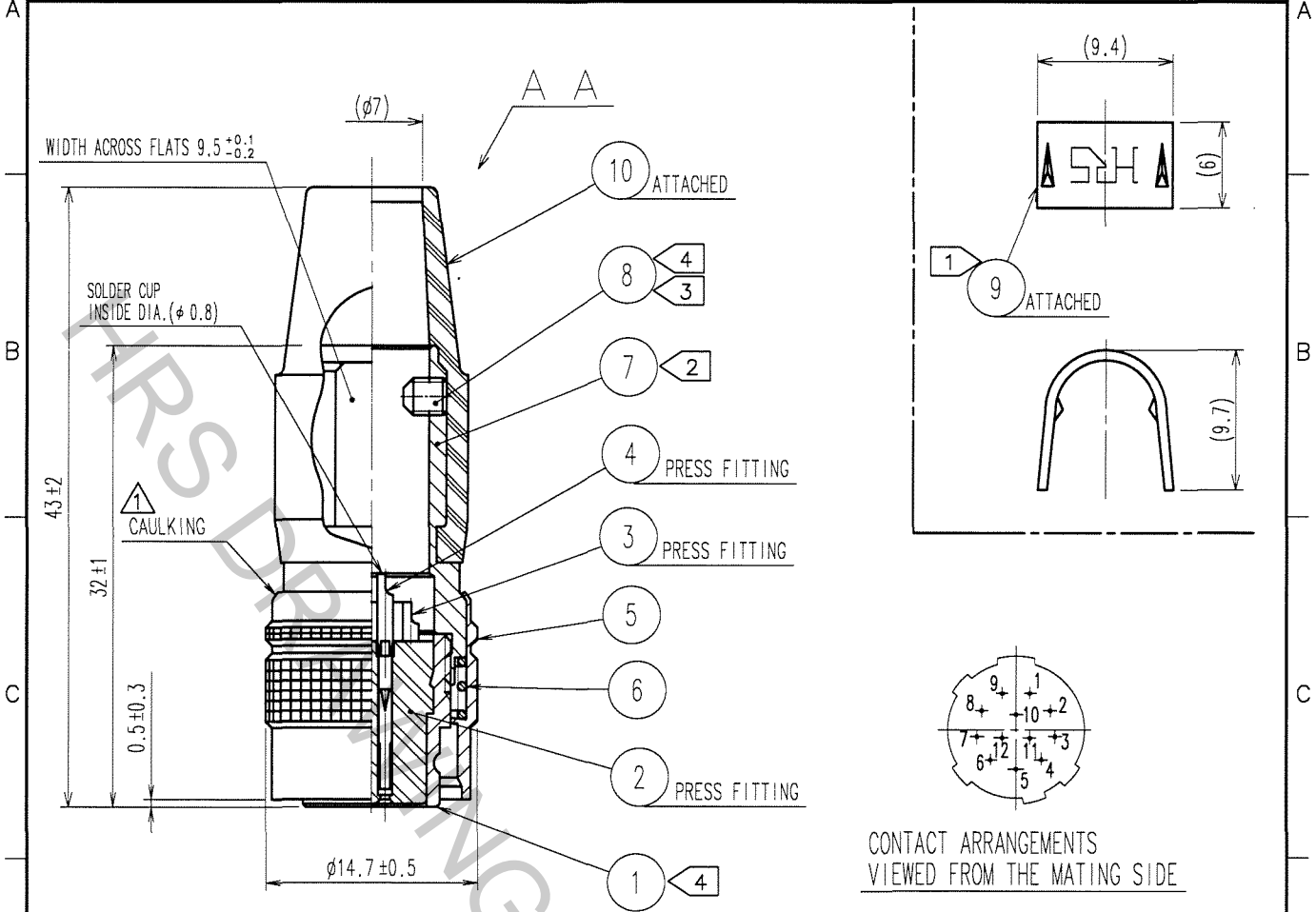


1		2			3			4		
COUNT	DESCRIPTION OF REVISIONS	BY	CHKD	DATE	COUNT	DESCRIPTION OF REVISIONS	BY	CHKD	DATE	
1	DIS-C-000409	D.M	H.S	06.12.19						



CONTACT ARRANGEMENTS VIEWED FROM THE MATING SIDE

- NOTE ① HAND CRIMPING TOOL, REF. NO. ⑨: HR10A-TC-02, APPLY TO  $\phi 7$ .
- ② THE RECOMMENDED CLAMP TORQUE, REF. NO. ⑦: 2-2.5 N · m.
- ③ ACROSS FLATS HEXAGON HEAD OF REF. NO. ⑧: 1.27 THE RECOMMENDED CLAMP TORQUE, REF. NO. ⑧: 0.3-0.4N · m.
- ④ LOCTITE 242, HENKEL JAPAN OR EQUIVALENT IS RECOMMENDED TO PREVENT REF. NO. ① AND ⑧ FOR LOOSENING.
- ⑤ ONE EXAMPLE OF THE ROTATION OF REF. NO. ⑦ TO REF. NO. ① IS SHOWN.

5	BRASS	MATTE FINISH NICKEL PLATING	10	CR	(BLACK)
4	PHOSPHOR BRONZE	SILVER PLATING 2 $\mu$ m min.	9	BRASS	
3	PHOSPHOR BRONZE		8	STEEL	NICKEL PLATING JIS C 1177, HEXAGON SOCKET SET SCREW M2.6×0.45×3
2	POLYAMIDE	(BLACK) UL94V-0	7	BRASS	NICKEL PLATING
1	ZINC ALLOY	MATTE FINISH NICKEL PLATING	6	STEEL	NICKEL PLATING
NO.	MATERIAL	FINISH, REMARKS	NO.	MATERIAL	FINISH, REMARKS

CODE NO. (OLD) CL		DRAWN H. KISHI '05.08.31	DESIGNED H. KISHI '05.08.31	CHECKED E. KUNII '05.09.02	APPROVED M. SATO '05.09.02	RELEASED
DRAWING NO. EDC4-020552-73		PART NO. HR10A-10P-12S(73)				
SACLE 2 : 1		CODE NO. CL110-0402-0-73				1/1
UNITS mm		HRS HIROSE ELECTRIC CO., LTD.				

TO
R