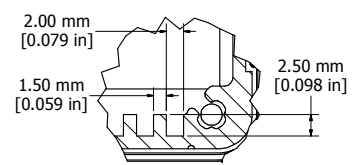
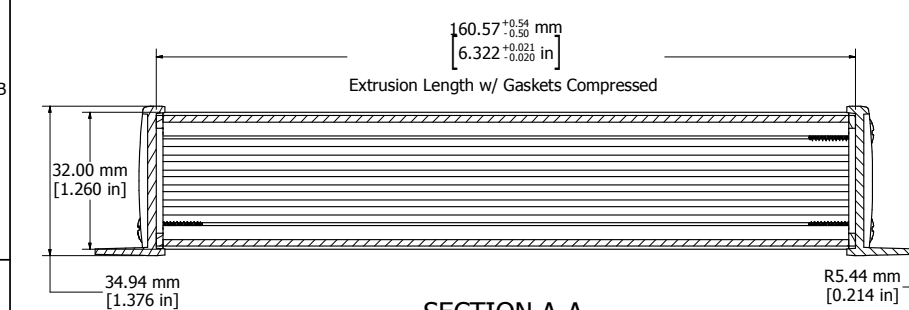


ASSEMBLY - VIEW FROM TOP

SECTION T-T

**PROTECTION TO IP 65**

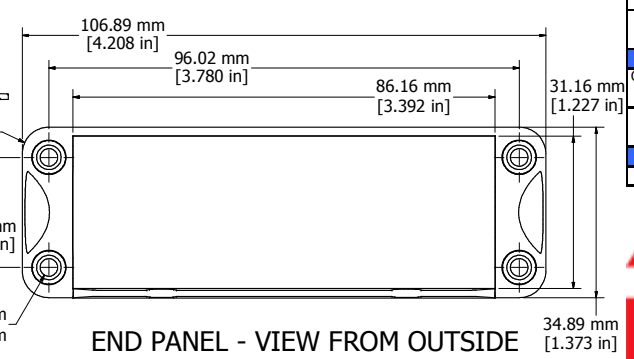
Enclosures can be Factory Modified ( Milling, Drilling, Printing etc. )  
Contact Factory [mjm@hammondmfg.com](mailto:mjm@hammondmfg.com) for quotes  
Solid models of this enclosure available in STEP or IGES.



DETAIL U

SECTION A-A

Fits 160mm (6.299") X 100mm (3.937") PCB



END PANEL - VIEW FROM OUTSIDE

NOTE	
Purchased assembly includes box, end panels, #6 Taptight screws w/ O-Rings, self adhesive rubber feet, and gaskets.	
Box made from Extruded Aluminum 6063.	
End panels made from ADC-12 Diecast Aluminum with a black powder paint finish.	
WATERPROOF 1457L1602	
PART NUMBERS	
Clear anodized box with black powder painted end panels	1457L1602
Black powder painted box and end panels	1457L1602BK
EMI/RFI SHIELDED (IP 54)	
Clear anodized box with black powder painted end panels	1457L1602E
Black powder painted box and end panels	1457L1602EBK
ACCESSORIES	
See website for accessories.	

**HAMMOND MANUFACTURING™**  
**1457L1602**  
[www.hammondmfg.com](http://www.hammondmfg.com)