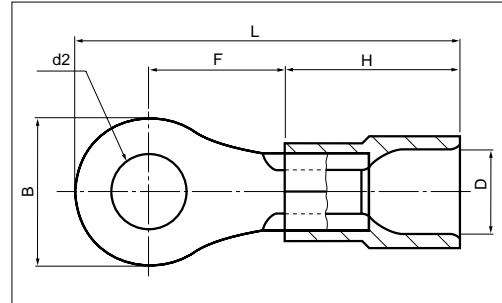


ENVIRONMENTALLY FRIENDLY INSULATED TERMINALS (R TYPE)

TMEE (RING)



B



(Special order products)

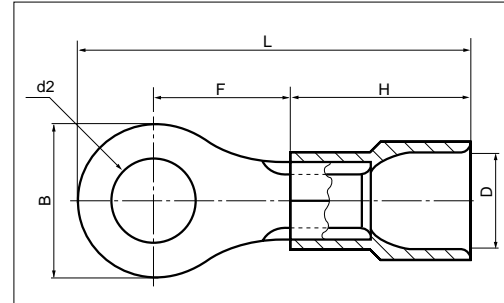
PART NUMBER	DIMENSIONS mm						WIRE RANGE		TOOL No.		STD QTY/BOX
	B	t	L	G	H	D	STRANDED mm ²	AWG	HAND TOOL No.		
									TOOL BODY No.	DIES No.	
0.3-2 [HS]	2.2	5.2	17.5	4.9	10.0	3.2	0.2-0.5	24-20	NH 5		1,000 (100 x 10)
0.3-2N [HS]			19.8	7.2					NH 32		
0.3-3 [HS]	3.2	6.6	17.5	4.9					NH 60		
0.3-3N [HS]			19.8	7.2					NA 10	N10 10	
0.3-3.5 [HS]	3.7	8.0	20.5	7.2					NA 3	N3 5	
0.3-4 [HS]	4.3	8.0	21.0	7.0							
0.3-5 [HS]	5.3										
1.25-2 [HS]	2.2	5.5	17.5	4.75	10.0	4.1	0.3 , 1.65	22-16	NH 11		1,000 (100 x 10)
1.25-2S		5.7	17.4	4.55					NH 32		
1.25-3 [HS]	3.2	5.5	17.5	4.75					NH 11		
1.25-3N [HS]		5.6	20.4	7.6					NH 32		
1.25-3S [HS]	5.7	17.4	4.55								
1.25-3.5N [HS]	3.7	5.6	20.4	7.6							
1.25-3.5S [HS]		5.7	17.4	4.55							
1.25-3.5 [HS]	6.6	18.8	5.5								
1.25-3.5M [HS]	6.8	19.4	6.0								
1.25-3.5L [HS]	8.0	21.1	7.1								
1.25-4M [HS]	4.3	6.8	19.4	6.0							
1.25-4 [HS]		8.0	21.1	7.1							
1.25-5 [HS]	5.3										
1.25-6 [HS]	6.4	12.0	25.7	9.7							
1.25-8 [HS]	8.4										
1.25-10	10.5	16.5	30.5	12.25							
2-2	2.2	6.5	18.2	4.95					10.0	4.5	
2-3N		5.6	20.4	7.6	NH 32						
2-3S [HS]	3.2	5.7	17.8	4.95							
2-3 [HS]		6.5	18.2								
2-3.5N	3.7	5.6	20.4	7.6							
2-3.5NS [HS]		6.5	18.2	4.95							
2-3.5 [HS]	6.6	19.9	6.6								
2-3.5S	6.6	20.9	7.6								
2-3.5M [HS]	8.0	21.5	7.5								
2-4S [HS]	4.3	6.6	19.9	6.6							
2-4M [HS]		8.0	21.5	7.5							
2-4 [HS]	8.5	22.0	7.75								
2-5M [HS]	5.3	8.0	21.5	7.5							
2-5 [HS]		9.5	22.5	7.75							
2-6 [HS]	6.4	12.0	27.0	11.0							
2-8 [HS]	8.4										
2-10	10.5	15.0	30.0	12.5							
2-12	13.0	19.0	34.0	14.5							
					NA 10	N10 12	NA 3	N3 12			

NOTE

- 1) [HS]: HS terminal
- 2) Please refer to page 31 for proper strip length of wire

ENVIRONMENTALLY FRIENDLY INSULATED TERMINALS (R TYPE)

TMEE (RING)



(Special order products)

PART NUMBER	DIMENSIONS mm						WIRE RANGE		TOOL No.		STD QTY/BOX
	B	t	L	G	H	D	STRANDED mm ²	AWG	HAND TOOL No. TOOL BODY No. DIES No.		
5.5-3M	3.2	6.5	24.45	7.2	14.0	6.8	2.63 , 6.64	12-10	NH 13	100	
5.5-3N		7.0	24.7								
5.5-3S [HS]		9.0	25.7								
5.5-3.5N	3.7	7.0	24.7								
5.5-3.5S [HS]		9.0	25.7								
5.5-3.5 [HS]		9.5	27.0	8.25							
5.5-4N	4.3	7.0	24.7	7.2							
5.5-4S [HS]		9.0	25.7								
5.5-4 [HS]		9.5	27.0								8.25
5.5-5N	5.3	8.0	25.2	7.2							
5.5-5S [HS]		9.0	25.7								
5.5-5 [HS]		9.5	27.0								8.25
5.5-6 [HS]	6.4	12.0	30.5	10.5							
5.5-8 [HS]	8.4	15.0	35.5	14.0							
5.5-10 [HS]	10.5										
5.5-12 [HS]	13.0				19.2	40.0	16.4				
5.5-14 [HS]	15.0	22.0	43.0	18.0							
									NA 10 N10 13 NA 3 N3 13	50	

NOTE

1) Please refer to page 31 for proper strip length of wire

FEATURES

Easy to recycle

Specific gravity is 1.2, and it is easy to separate from vinyl plastic using weight filtering.

No emission of poisonous gas

This material does not contain any Halogen substance. Even when it burns, do not give out Halogen gas, corrosive gas, or Dioxin gas.

No heavy metal content

It does not contain any heavy metal. When it is buried in a wasteland, no poisonous heavy metal dissolve into the environment.

Flame retardant

Similar level of heat and flame retardance compared with Vinyl.
As level of smoke density value is lower than Ds 150, do not cause any harm.

Bright color and no deterioration of material

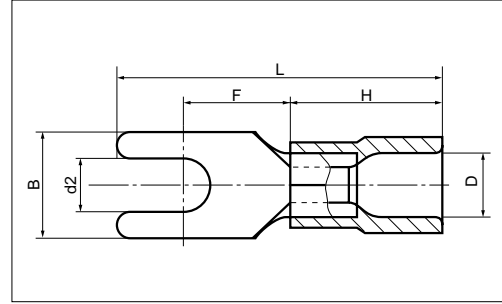
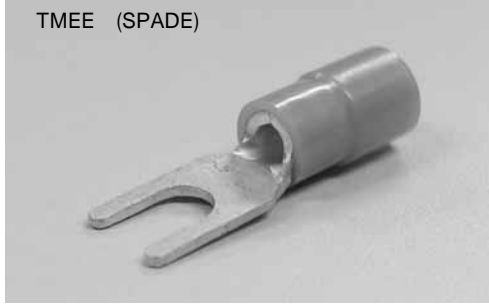
Adding color to this material is easy as Vinyl. Color fading or deterioration of material will not occur even after many years.

Superior electrical quality

Higher di-electric voltage, and heat resistance compared with Vinyl.

ENVIRONMENTALLY FRIENDLY INSULATED TERMINALS (R TYPE)

TMEE (SPADE)



B



(Special order products)

PART NUMBER	DIMENSIONS mm						WIRE RANGE		TOOL No.		STD QTY/BOX	
	B	t	L	G	H	D	STRANDED mm ²	AWG	HAND TOOL No.	DIES No.		
TMEE	0.3Y-2 [HS]	2.2	5.2	17.5	4.9	10.0	3.2	0.2-0.5	24-20	NH 5		1,000 (100×10)
	0.3Y-3 [HS]	3.2								NH 32		
	0.3Y-3.5N [HS]	3.7	5.8	20.5	5.8					NH 60		
	0.3Y-4N [HS]	4.3	6.4		6.6					NA 10	N10 10	
	0.3Y-5 [HS]	5.3	8.0	21.0	7.0					NA 3	NA 3	
TMEE	1.25Y-2.5 [HS]	2.7	4.7	17.2	5.1	10.0	4.1	0.3 ∩ 1.65	22-16	NH 11		1,000 (100×10)
	1.25Y-3K [HS]	3.2	5.6	20.5	5.8					NH 32		
	1.25Y-3S [HS]		5.7	17.4	4.8							
	1.25Y-3 [HS]	3.7	5.8	20.5	5.8					NH 11		
	1.25Y-3N [HS]		6.2	21.5	6.8					NH 32		
	1.25Y-3.5K [HS]	4.3	6.4		6.6					NH 11		
	1.25Y-3.5 [HS]		7.0	21.9	7.6					NH 32		
	1.25Y-3L [HS]	5.3	8.1		7.5					NH 11		
	1.25Y-4N [HS]		9.6	23.0	8.3					N3 11		
	1.25Y-4S [HS]	6.4	9.6	23.0	8.3					NA 10		
	1.25Y-4M [HS]		11.0	25.5	8.6					NA 3		
	1.25Y-4L [HS]	6.4	11.0	25.5	8.6					NA 10		
	1.25Y-5 [HS]		11.0	25.5	8.6					NA 3		
TMEE	2Y-3 [HS]	3.2	5.9	21.3	6.6	10.0	4.5	1.04 ∩ 2.63	16-14	NH 12		1,000 (100×10)
	2Y-3.5S [HS]	3.7	5.8							NH 32		
	2Y-3.5 [HS]		6.4	7.6	NH 12							
	2Y-3.5L [HS]	4.3	7.0	21.5	7.0					NH 32		
	2Y-4N [HS]		8.0	7.1	NH 12							
	2Y-4S [HS]	5.3	10.0	22.6	8.7					NH 32		
	2Y-4 [HS]		8.0	21.5	7.1					NH 12		
	2Y-4M [HS]	6.4	10.0	22.6	8.7					NA 10		
	2Y-5 [HS]		12.0	23.5	8.5					NA 3		
	2Y-5M [HS]	8.4	12.0	24.5	8.6					N10 12		
	2Y-5L [HS]		14.0	27.5	11.5					NA 12		
	2Y-6 [HS]	8.4	14.0	27.5	11.5					NA 10		
2Y-8 [HS]	14.0		27.5	11.5	NA 3							
TMEE	5.5Y-4S [HS]	4.3	8.4	25.7	7.2	14.0	6.8	2.63 ∩ 6.64	12-10	NH 13		100
	5.5Y-4 [HS]		9.0							NA 10		
	5.5Y-5 [HS]	5.2	9.0	N10 13								
	5.5Y-6 [HS]	6.4	12.5	32.7	12.0					NA 13		

NOTE

- 1) [HS]: HS terminal
- 2) Please refer to page 31 for proper strip length of wire
- 3) Tongue shape of 1.25Y-3S is shown right.

