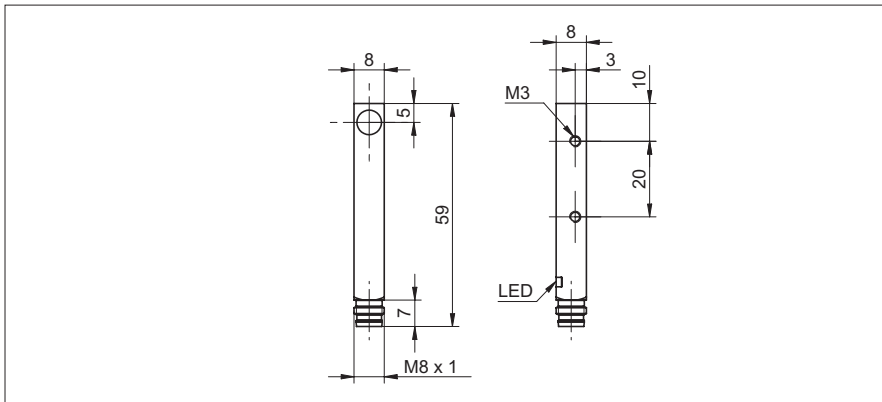


## Inductive sensor

IFFM 08P1501/O1S35L

Mat.-No.: 10224507

## dimension drawing



## general data

mounting type	shielded
nominal sensing distance $S_n$	1,5 mm
hysteresis	3 ... 20 % of $S_r$
output indicator	LED red

## electrical data

switching frequency	< 5 kHz
voltage supply range +Vs	10 ... 30 VDC
current consumption max.	12 mA
output circuit	PNP normally open (NO)
voltage drop $V_d$	< 2 V
output current	< 200 mA
short circuit protection	yes
reverse polarity protection	yes

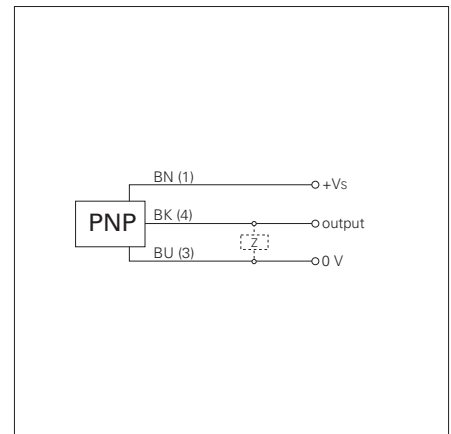
## mechanical data

type	rectangular
material (sensing face)	PBT
housing material	brass nickel plated
dimension	8 mm
housing length	59
connection types	connector M8 x 1

## ambient conditions

operating temperature	-25 ... +75 °C
protection class	IP 67

## connection diagram



## pin assignment

