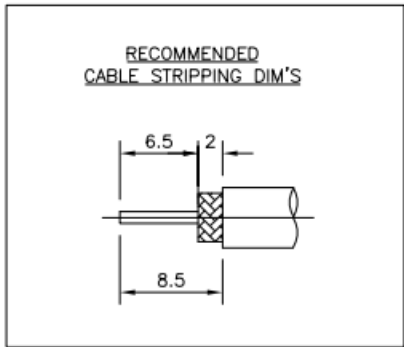


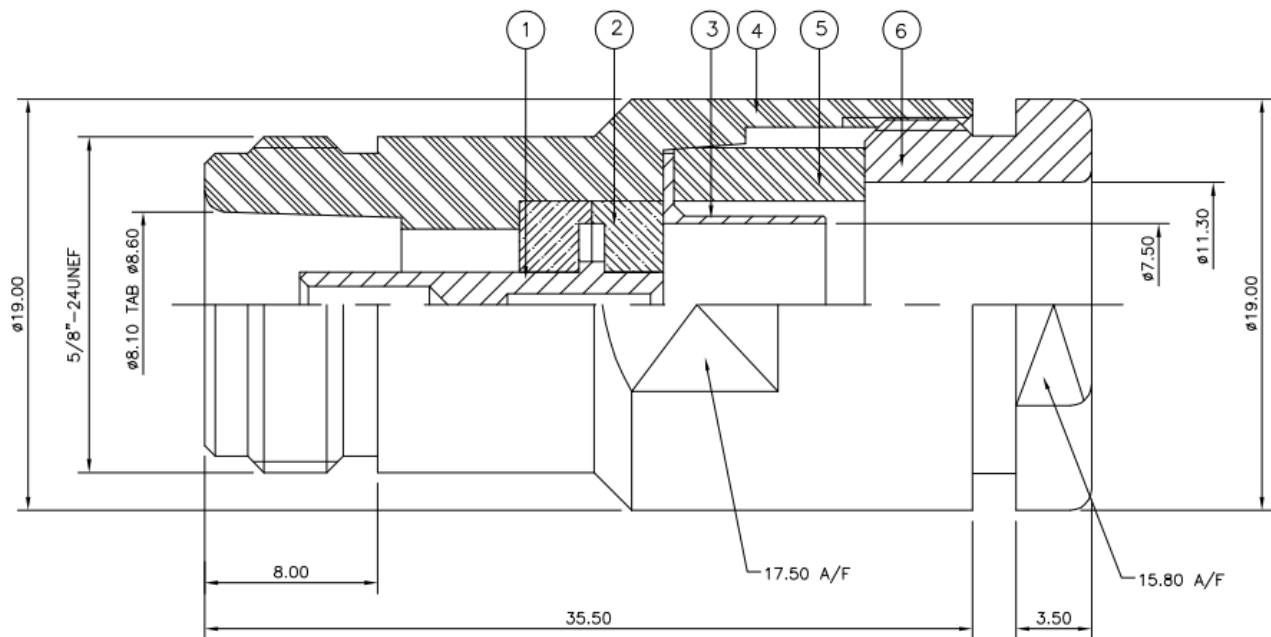
# Datasheet

## RS 90 V 10kA Coaxial Line Arrester

RS Stock 288-187



### Dimensions: (mm)



## Specifications

NOTES:

- ① PACK IN ACCORDANCE WITH AMP SPEC 107-3275
- ② 100 TRAY PACK IN ACCORDANCE WITH AMP SPEC 107-3275
- ③ Ag PLATING
- ④ THIS ITEM MUST BE WHITE
5. ELECTRICAL CHARACTERISTICS
- |                               |                             |
|-------------------------------|-----------------------------|
| FREQUENCY RANGE:              | DC – 11 GHz                 |
| NOMINAL IMPEDANCE:            | 50 Ohm                      |
| INSULATION RESISTANCE:        | 5000 MOhm                   |
| WORKING VOLTAGE:              | 1000 Volts RMS at Sea Level |
| DIELECTRIC WITHSTAND VOLTAGE: | 2500 Volts RMS Max          |
| CONTACT RESISTANCE:           |                             |
| CENTRE CONTACT:               | 1.00 mOhm Max               |
| OUTER CONTACT:                | 1.00 mOhm Max               |
| VSWR @ 4GHz:                  | 1.30:1 Max                  |
| INSERTION LOSS dB @ x 4 GHz:  | 0.30 Max                    |
6. MECHANICAL CHARACTERISTICS
- |                               |                |
|-------------------------------|----------------|
| COUPLING NUT RETENTION FORCE: | N/A            |
| CABLE RETENTION FORCE:        | 350N Min       |
| CLAMP NUT RECOMMENDED TORQUE: | 4.5N           |
| DURABILITY:                   | 500 Cycles Min |
7. ENVIRONMENTAL CHARACTERISTICS
- |                        |                  |
|------------------------|------------------|
| OPERATING TEMPERATURE: | -65 to +165 DegC |
|------------------------|------------------|

Material	Description
Brass	Contact
PTFE	Insulation
Brass	Sleeve
Brass	Body
Silicon Rubber	Gasket
Brass	Clamp Nut