



small compact thermostat NO (cooling) +32 bis +140 °F

Model	
product brand name	SIVACON
design of the product	NO contact
type of sensor	Thermal bimetal
design of the switching function	NO contact
design of the switching contact	Snap-action contact
General technical data	
mechanical service life (operating cycles) typical	100 000
mounting type	clip for 35 mm DIN rail
Voltage	
type of voltage of the operating voltage	AC
inrush current typical	16 A
operating voltage at AC rated value	250 V
Protection class	
protection class IP	IP20
Main circuit	
operational current rated value	10 A
Product details	
product component	
• digital display	No
• hygrostat	No
Connections	
type of connection technology	2-pole terminal 2.5 mm ²
Mechanical Design	
height	41 mm
width	60 mm
depth	33 mm
fastening method	terminal mounting
mounting position	any
Net Weight	48 g
material of the enclosure	plastic
Environmental conditions	
relative humidity reference value	90 %
ambient temperature during operation	
• minimum	-45 °C
• maximum	80 °C
ambient temperature during storage	
• minimum	-45 °C
• maximum	80 °C

Approvals Certificates

Environment	General Product Approval	other
-------------	--------------------------	-------

[Environmental Confirmations](#)



[Confirmation](#)



Further information

Information on the packaging

<https://support.industry.siemens.com/cs/ww/en/view/109813875>

Information for data generation and storage

<https://support.industry.siemens.com/cs/ww/en/view/109995012>

Information- and Downloadcenter (Catalogs, Brochures,...)

<https://www.siemens.com/lowvoltage/catalogs>

Industry Mall (Online ordering system)

<https://mall.industry.siemens.com/mall/en/en/Catalog/product?mlfb=8MR2170-2KD>

Service&Support (Manuals, Certificates, Characteristics, FAQs,...)

<https://support.industry.siemens.com/cs/ww/en/ps/8MR2170-2KD>

Image database (product images, 2D dimension drawings, 3D models, device circuit diagrams, ...)

https://www.automation.siemens.com/bilddb/cax_en.aspx?mlfb=8MR2170-2KD

CAx-Online-Generator

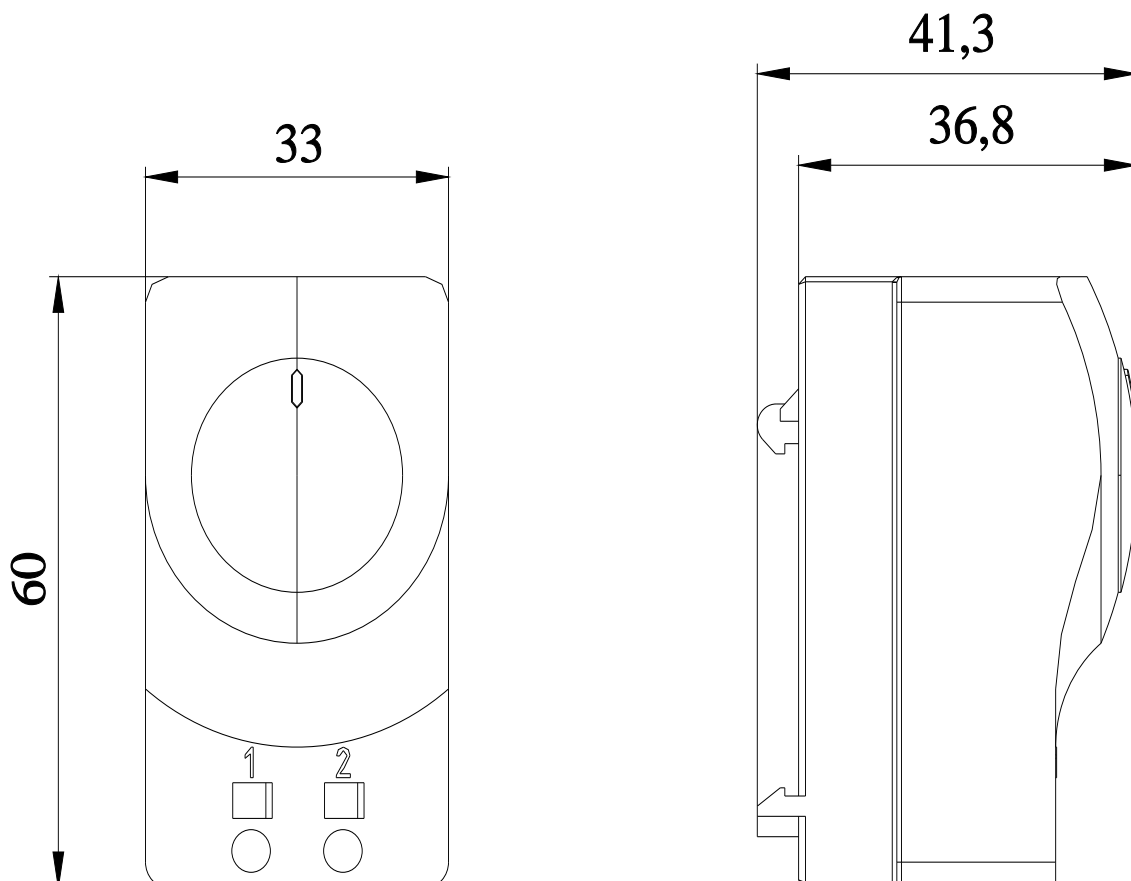
<https://www.siemens.com/cax>

Tender specifications

<https://www.siemens.com/specifications>

Characteristic curves

[https://curves.simaris.siemens.com/curves/<mmp_prod_noCOMP="HAUPT"></mmp_prod_no>](https://curves.simaris.siemens.com/curves/<mmp_prod_noCOMP=)



last modified:

10/18/2025

