

# 32

## 32 Relay Adjusting Pliers

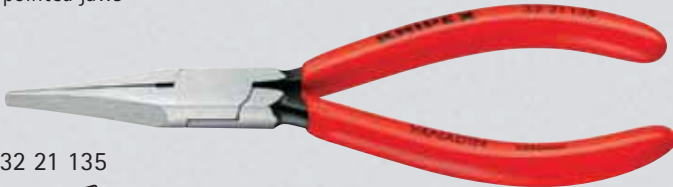
DIN 5235

- ▶ for gripping components and wires of the smallest diameters and for bending contact and relay springs
- ▶ polished gripping surfaces
- ▶ edges carefully deburred
- ▶ Chrome Vanadium electric steel, oil-hardened and tempered

32 11 135



Style 1: flat, concave and pointed jaws



Style 1:

- ▶ flat, concave and pointed jaws

Style 2:

- ▶ flat, wide jaws

32 21 135



Style 2: flat, wide jaws



Style 3:

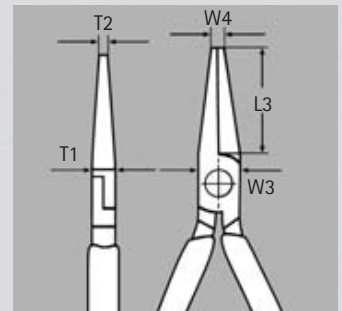
- ▶ 40° bent, flat, concave and trapezoidal jaws

32 31 135



Style 3: 40° bent, flat, concave and trapezoidal jaws

Article-No.	EAN-Code	Style	Head	Handles	Dimensions					△△
					L3	W3	T1	W4	T2	
	Length	Code			mm	mm	mm	mm	mm	g
	mm	4003773-								
32 11 135	016496	1	polished	plastic coated	34.0	12.5	7.0	1.4	1.5	75
32 21 135	016533	2	polished	plastic coated	34.0	12.5	7.0	1.4	3.5	75
32 23 135	016557	3	chrome plated		34.0	12.5	7.0	1.4	3.5	75
32 31 135	016588	3	polished	plastic coated	32.0	12.5	7.0	1.4	3.5	75

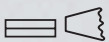


# 33

## 33 Duckbill Pliers

- ▶ duckbill shaped jaws 9 mm wide at the tip and tapering to 1.5 mm thickness
- ▶ smooth gripping surfaces
- ▶ Chrome Vanadium electric steel, oil-hardened and tempered

33 01 160



Article-No.	EAN-Code	Head	Handles	Dimensions					△△	
				L3	W3	T1	W4	T2		
	Length	Code								
	mm	4003773-								
33 01 160	016663	polished	plastic coated	55.0	15.0	7.5	3.0	9.0	110	
33 03 160	016670	chr. plated	plastic coated	55.0	15.0	7.5	3.0	9.0	110	

