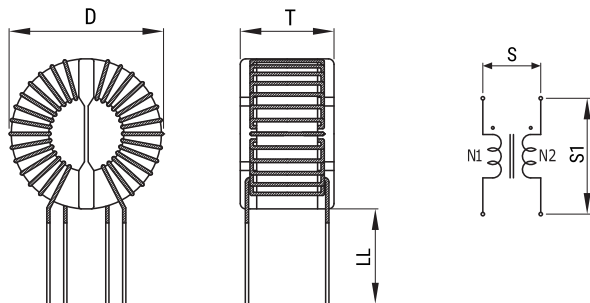


**KEMET Part Number: SC-01-50G**  
(UALSC0150G0000)

KEMET, SC-G/GS, AC Line Filters, Common Mode, 5000 uH



#### Dimensions

<b>D</b>	17.5mm MAX
<b>T</b>	14mm MAX
<b>LL</b>	15mm +/-2mm
<b>S</b>	8mm NOM

#### Packaging Specifications

<b>Packaging:</b>	Tray
<b>Packaging Quantity:</b>	1300
<b>Weight:</b>	7 g

#### General Information

<b>Series:</b>	SC-G/GS
<b>Style:</b>	Through-Hole
<b>RoHS:</b>	Yes
<b>Notes:</b>	Lead Spacing (S/S1) Are For Reference Only.
<b>Miscellaneous:</b>	Temperature Rise Maximum: 40 K

#### Specifications

<b>Voltage AC:</b>	250 VAC
<b>Inductance:</b>	5 mH (100 kHz)
<b>Current:</b>	1 A
<b>Temperature Range:</b>	-25/+105°C
<b>DC Resistance:</b>	150 mOhms