

Type 2 surge protection base element - VAL-MS/3+1-BE/FM

2838898

<https://www.phoenixcontact.com/gb/products/2838898>

Please be informed that the data shown in this PDF document is generated from our Online Catalog. Please find the complete data in the user documentation. Our General Terms of Use for Downloads are valid.



Base element for type 2 arresters of the VALVETRAB MS series of products, with remote indication contact. Version for 3-phase power supply with separate installation of N and PE conductors.

Your advantages

- Quality proven millions of times over in the widest range of applications
- Rapid installation with bridges, thanks to industry-standard overall width of 1 HP
- Easy testing and insulation measurement, thanks to pluggable protection modules
- Wide range of applications due to various nominal voltages
- High degree of modularity provides individual solutions for every application

Type 2 surge protection base element - VAL-MS/3+1- BE/FM



2838898

<https://www.phoenixcontact.com/gb/products/2838898>

Commercial Data

Item number	2838898
Packing unit	1 pc
Minimum order quantity	1 pc
Sales Key	CL1321
Product Key	CL1321
Catalog Page	Page 66 (C-4-2019)
GTIN	4017918171933
Weight per Piece (including packing)	256.7 g
Weight per Piece (excluding packing)	232.6 g
Customs tariff number	85366990
Country of origin	DE

Type 2 surge protection base element - VAL-MS/3+1-BE/FM

2838898

<https://www.phoenixcontact.com/gb/products/2838898>

Technical Data

Product properties

IEC test classification	II
	T2
EN type	T2
Type	Base element, DIN rail mounting
Product type	Base element
Number of positions	4
Surge protection fault message	Remote indication contact

Insulation characteristics

Overvoltage category	III
Pollution degree	2

Electrical properties

Nominal frequency f_N	50 Hz (60 Hz)
-------------------------	---------------

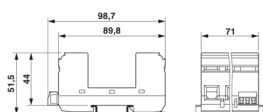
Indicator/remote signaling

Connection name	Remote fault indicator contact
Switching function	Changeover contact
Operating voltage	5 V AC ... 250 V AC
	30 V DC
Operating current	5 mA AC ... 750 mA AC
	1 A DC

Connection data

Connection method	Screw connection
Screw thread	M5
Tightening torque	3 Nm (1.5 mm ² ... 16 mm ²)
	4.5 Nm (25 mm ² ... 35 mm ²)
Stripping length	16 mm
Conductor cross section flexible	1.5 mm ² ... 25 mm ²
Conductor cross section solid	1.5 mm ² ... 35 mm ²
Conductor cross section AWG	15 ... 2
Connection method	Fork-type cable lug
Conductor cross section flexible	1.5 mm ² ... 16 mm ²

Dimensions

Dimensional drawing	
Width	71 mm

Type 2 surge protection base element - VAL-MS/3+1-BE/FM



2838898

<https://www.phoenixcontact.com/gb/products/2838898>

Height	98.7 mm
Depth	65.7 mm (incl. DIN rail 7.5 mm)
Horizontal pitch	4 Div.

Material specifications

Color	jet black RAL 9005
Flammability rating according to UL 94	V-0
CTI value of material	600
Insulating material	PBT
Material group	I
Housing material	PBT

Mechanical properties

Mechanical data

Open side panel	No
-----------------	----

Protective circuit

Direction of action	3L-N & N-PE
Nominal frequency f_N	50 Hz (60 Hz)
Maximum continuous voltage U_C	500 V AC
Rated load current I_L	80 A
Short-circuit current rating I_{SCCR}	25 kA
Max. backup fuse with V-type through wiring	80 A (gG)
Max. backup fuse with branch wiring	125 A (gG)

Environmental and real-life conditions

Ambient conditions

Degree of protection	IP20 (only when all terminal points are used)
Ambient temperature (operation)	-40 °C ... 80 °C
Ambient temperature (storage/transport)	-40 °C ... 80 °C
Altitude	≤ 2000 m (amsl (above mean sea level))
Permissible humidity (operation)	5 % ... 95 %
Shock (operation)	25g (Half-sine / 11 ms / 3x ±X, ±Y, ±Z)
Vibration (operation)	5g (10 ... 500 Hz / 2.5 h / X, Y, Z)

Approval data

UL specifications

Nominal voltage	690 V AC
SPD Type	4CA
AC operating voltage	125 V AC
AC operating current	1 A AC

UL connection data

Tightening torque	30 lb _F ·in.
-------------------	-------------------------

Type 2 surge protection base element - VAL-MS/3+1-BE/FM



2838898

<https://www.phoenixcontact.com/gb/products/2838898>

Conductor cross section AWG	14 ... 2
-----------------------------	----------

Standards and regulations

Standards/specifications	IEC 61643-11
Standards/specifications	EN 61643-11

Mounting

Mounting type	DIN rail: 35 mm
---------------	-----------------

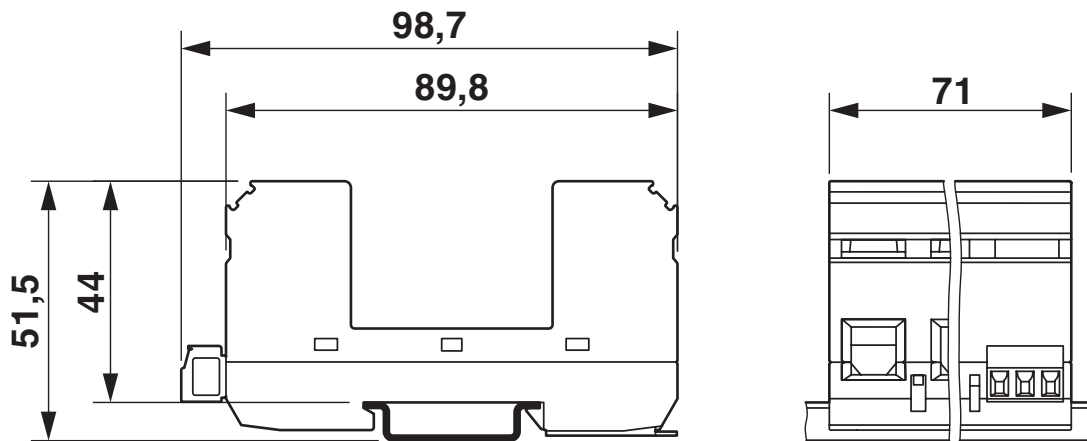
Type 2 surge protection base element - VAL-MS/3+1-BE/FM

2838898

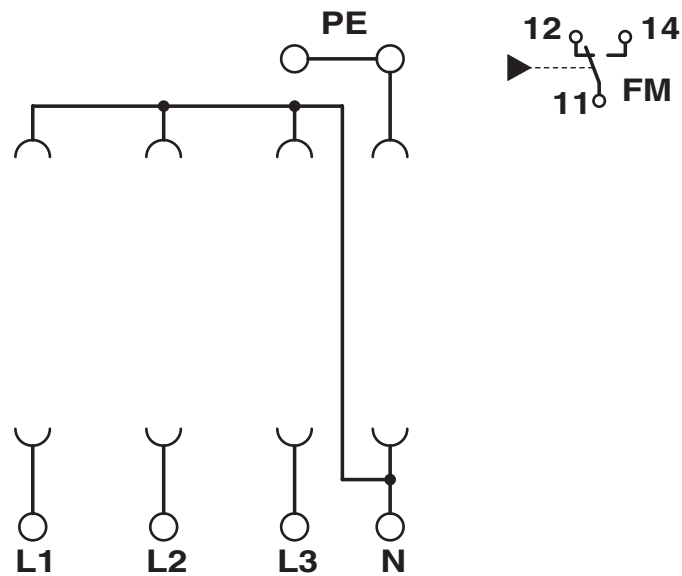
<https://www.phoenixcontact.com/gb/products/2838898>

Drawings

Dimensional drawing



Circuit diagram



Type 2 surge protection base element - VAL-MS/3+1-BE/FM



2838898

<https://www.phoenixcontact.com/gb/products/2838898>

Approvals



cUL Recognized
Approval ID: FILE E 330181



UL Recognized
Approval ID: FILE E 330181



IECEE CB Scheme
Approval ID: AT 2905/M1



EAC
Approval ID: RU C-DE.*09.B.00169

CCA

Approval ID: NTR-AT 1947-A

Nominal Voltage U_N

Nominal Current I_N

Cross Section AWG

Cross Section mm^2

-

-



KEMA-KEUR
Approval ID: 71-113273



DNV GL
Approval ID: TAE000041M

Nominal Voltage U_N

Nominal Current I_N

Cross Section AWG

Cross Section mm^2

-

-



CSA
Approval ID: 13631



ÖVE
Approval ID: 18583-001-15

cULus Recognized

Type 2 surge protection base element - VAL-MS/3+1-BE/FM



2838898

<https://www.phoenixcontact.com/gb/products/2838898>

Classifications

ECLASS

ECLASS-9.0	27130803
ECLASS-10.0.1	27130803
ECLASS-11.0	27130803

ETIM

ETIM 8.0	EC000472
----------	----------

UNSPSC

UNSPSC 21.0	39121600
-------------	----------

Type 2 surge protection base element - VAL-MS/3+1-BE/FM



2838898

<https://www.phoenixcontact.com/gb/products/2838898>

Environmental Product Compliance

REACH SVHC	Lead 7439-92-1
China RoHS	Environmentally Friendly Use Period = 50 years
	For information on hazardous substances, refer to the manufacturer's declaration available under "Downloads"

Type 2 surge protection base element - VAL-MS/3+1-BE/FM

2838898

<https://www.phoenixcontact.com/gb/products/2838898>

Accessories

Wiring bridge

Wiring bridge - MPB 18/1-10/1.0.0 - 2830443

<https://www.phoenixcontact.com/gb/products/2830443>



Wiring bridge for modules with connecting pitch 17.5 mm, 1-phase, 10 pitches with contact sequence 1-0-0

Wiring bridge

Wiring bridge - MPB 18/4- 8 - 2809283

<https://www.phoenixcontact.com/gb/products/2809283>



Wiring bridge for modules with connecting pitch 17.5 mm, 4-phase, 8-pos.

Type 2 surge protection base element - VAL-MS/3+1-BE/FM

2838898

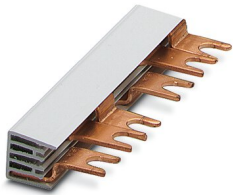
<https://www.phoenixcontact.com/gb/products/2838898>

Wiring bridge

Wiring bridge - MPB 18/3- 6 - 2809241

<https://www.phoenixcontact.com/gb/products/2809241>

Wiring bridge for modules with connecting pitch 17.5 mm, 3-phase, 6-pos.



Wiring bridge

Wiring bridge - MPB 18/1-57 - 2809238

<https://www.phoenixcontact.com/gb/products/2809238>

Wiring bridge for modules with connecting pitch 17.5 mm, 1-phase, 57-pos.



Type 2 surge protection base element - VAL-MS/3+1-BE/FM

2838898

<https://www.phoenixcontact.com/gb/products/2838898>

Wiring bridge

Wiring bridge - MPB 18/1-12 - 2748593

<https://www.phoenixcontact.com/gb/products/2748593>



Wiring bridge for modules with connecting pitch 17.5 mm, 1-phase, 12-pos.

Wiring bridge

Wiring bridge - MPB 18/1- 9 - 2748580

<https://www.phoenixcontact.com/gb/products/2748580>



Wiring bridge for modules with connecting pitch 17.5 mm, 1-phase, 9-pos.

Type 2 surge protection base element - VAL-MS/3+1-BE/FM

2838898

<https://www.phoenixcontact.com/gb/products/2838898>

Wiring bridge

Wiring bridge - MPB 18/1- 8 - 2748577

<https://www.phoenixcontact.com/gb/products/2748577>



Wiring bridge for modules with connecting pitch 17.5 mm, 1-phase, 8-pos.

Wiring bridge

Wiring bridge - MPB 18/1- 6 - 2748564

<https://www.phoenixcontact.com/gb/products/2748564>



Wiring bridge for modules with connecting pitch 17.5 mm, 1-phase, 6-pos.

Type 2 surge protection base element - VAL-MS/3+1-BE/FM

2838898

<https://www.phoenixcontact.com/gb/products/2838898>

Wiring bridge

Wiring bridge - MPB 18/1- 4 - 2809225

<https://www.phoenixcontact.com/gb/products/2809225>



Wiring bridge for modules with connecting pitch 17.5 mm, 1-phase, 4-pos.

Wiring bridge

Wiring bridge - MPB 18/1- 3 - 2809212

<https://www.phoenixcontact.com/gb/products/2809212>



Wiring bridge for modules with connecting pitch 17.5 mm, 1-phase, 3-pos.

Type 2 surge protection base element - VAL-MS/3+1-BE/FM

2838898

<https://www.phoenixcontact.com/gb/products/2838898>

Wiring bridge

Wiring bridge - MPB 18/1- 2 - 2809209

<https://www.phoenixcontact.com/gb/products/2809209>

Wiring bridge for modules with connecting pitch 17.5 mm, 1-phase, 2-pos.



Marker for terminal blocks

Marker for terminal blocks - ZBN 18,LGS:ERDE - 2749589

<https://www.phoenixcontact.com/gb/products/2749589>

Marker for terminal blocks, Strip, white, labeled, horizontal: Grounding symbol, mounting type: snapped, for terminal block width: 18 mm, lettering field size: 18 x 5 mm, Number of individual labels: 5



Type 2 surge protection base element - VAL-MS/3+1-BE/FM

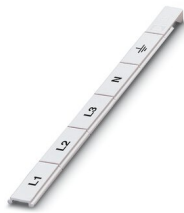
2838898

<https://www.phoenixcontact.com/gb/products/2838898>

Marker for terminal blocks

Marker for terminal blocks - ZBN 18,LGS:L1-N,ERDE - 2749576

<https://www.phoenixcontact.com/gb/products/2749576>



Marker for terminal blocks, Strip, white, labeled, horizontal: L1, L2, L3, N, GND, mounting type: snapped, for terminal block width: 18 mm, lettering field size: 18 x 5 mm, Number of individual labels: 5

Zack marker strip

Zack marker strip - ZBN 18:UNBEDRUCKT - 2809128

<https://www.phoenixcontact.com/gb/products/2809128>



Zack marker strip, Strip, white, unlabeled, can be labeled with: CMS-P1-PLOTTER, PLOTMARK, mounting type: snapped, for terminal block width: 18 mm, lettering field size: 18 x 5 mm, Number of individual labels: 5

Type 2 surge protection base element - VAL-MS/3+1-BE/FM

2838898

<https://www.phoenixcontact.com/gb/products/2838898>

Marker pen

Marker pen - B-STIFT - 1051993

<https://www.phoenixcontact.com/gb/products/1051993>



Marker pen, for manual labeling of unprinted Zack strips, smear-proof and waterproof, line thickness 0.5 mm

Feed-through terminal block

Feed-through terminal block - DK-BIC-35 - 2749880

<https://www.phoenixcontact.com/gb/products/2749880>



Feed-through terminal block for VAL and FLT applications

Type 2 surge protection base element - VAL-MS/3+1-BE/FM



2838898

<https://www.phoenixcontact.com/gb/products/2838898>

Wiring bridge

Wiring bridge - MPB 18/4- 8 - 2809283

<https://www.phoenixcontact.com/gb/products/2809283>



Wiring bridge for modules with connecting pitch 17.5 mm, 4-phase, 8-pos.

Phoenix Contact 2022 © - all rights reserved

<https://www.phoenixcontact.com>

PHOENIX CONTACT Ltd

Halesfield 13, Telford

Shropshire, TF7 4PG

01952 681700

info@phoenixcontact.co.uk