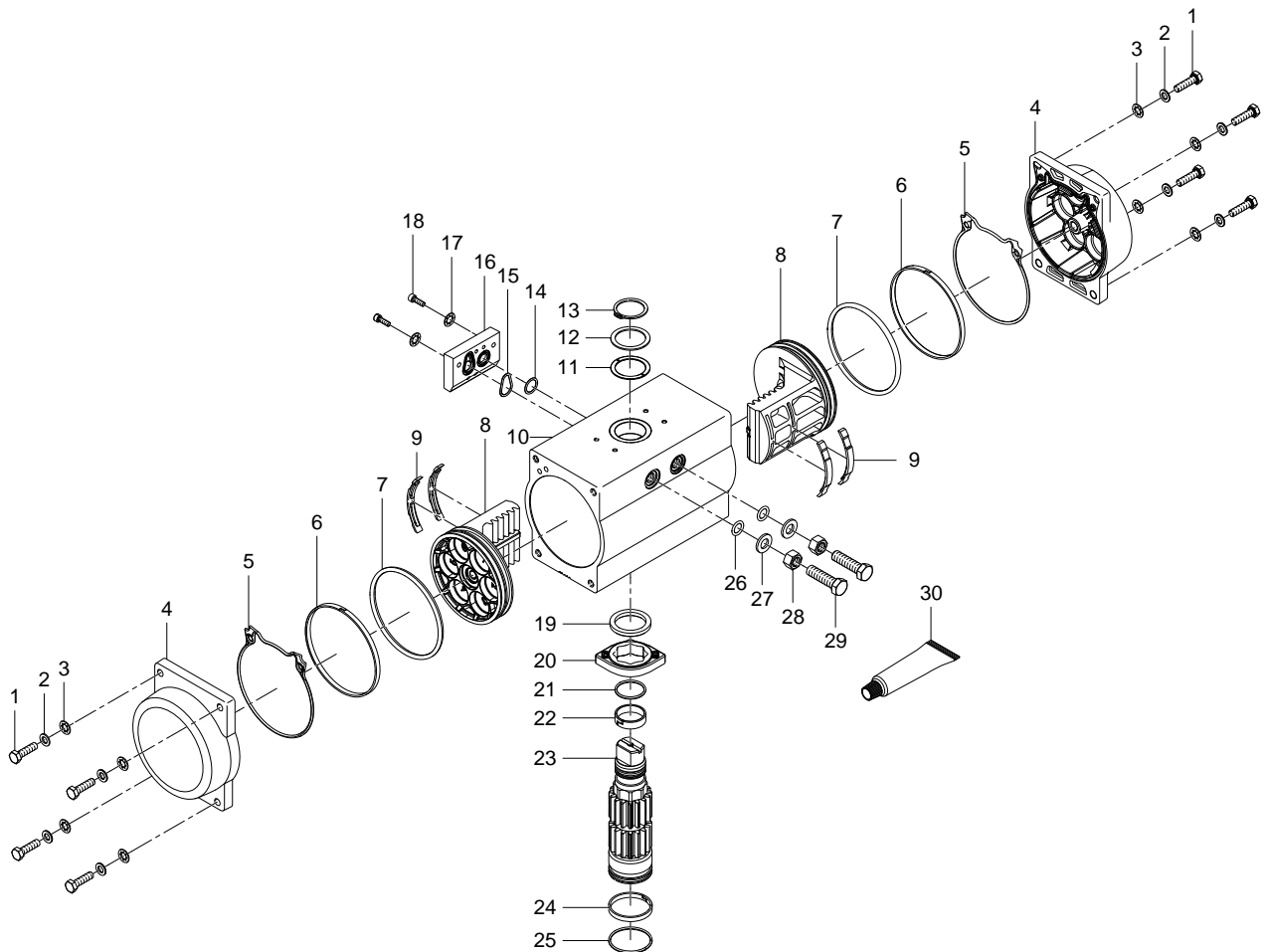


8048126 DFPD-300-RP-90-RD-F0710 Semi-rotary drive - Series: All



## 8048126 DFPD-300-RP-90-RD-F0710 Semi-rotary drive - Series: All

Pos.	Part no.	Type	Note	Qty.	Unit
A	8060117	DFPD-300-.. Set of wearing parts	Spare parts: 3, 5, 6, 7, 9, 11, 13, 14, 15, 17, 19, 21, 22, 24, 25, 26, 27, 28, 29, 30 <a href="#">▶ Replacing the wearing parts</a>	1	PC
1		ISO 4017-M10X35-A2-70 Hexagon head screw	Not available Tightening torque 40.5 Nm / 29.9 lbf ft	8	PC
2		10,3X19X2-1.4301 Ring	Not available	8	PC
3		DIN 6797-J-10,5-A2-70 Toothed disc	Not available separately, see position A	8	PC
4		DFPD-300-D/S End cap	Not available	2	PC
5		DFPD-300 Moulded seal	Not available separately, see position A	2	PC
6		DFPD-300-../T6 Slip ring	Not available separately, see position A <a href="#">▶ Repair note: Slip_ring</a>	2	PC
7		113,67X5,33-N-NBR70 O-ring	Not available separately, see position A	2	PC
8		DFPD-300-90 Piston	Not available Lubricate with SYNTHY POLYMER 402/2 during assembly	2	PC
9		DFPD-300-../T6 Slide element	Not available separately, see position A	4	PC
10		DFPD-300-90-F0710-AN Housing	Not available Lubricate with SYNTHY POLYMER 402/2 during assembly	1	PC
11		DFPD-240/300-../T6 Slip ring	Not available separately, see position A	1	PC
12		DIN 988-35X45X1,5-A2 Shim	Not available	1	PC
13		DIN 471-35X1,5-A2 Retaining ring	Not available separately, see position A	1	PC
14		B-16X2-N-NBR70 O-ring ISO3601	Not available separately, see position A	1	PC
15		B-21X2-N-NBR70 O-ring ISO3601	Not available separately, see position A	1	PC
16		DFPD-240/300/480-AN Sub-base	Not available	1	PC
17		J-5,1-A2-70 Toothed disc	Not available separately, see position A	2	PC
18		ISO 4762-M5X16-A2-70 Socket head screw	Not available Tightening torque 7 Nm / 5.2 lbf ft	2	PC
19		DFPD-300-../T6 Slip ring	Not available separately, see position A	1	PC
20		DFPD-300-90 Cam	Not available	1	PC
21		B-29,82X2,62-N-NBR70 O-ring ISO3601	Not available separately, see position A	1	PC
22		DFPD-240/300-../T6 Slip ring	Not available separately, see position A <a href="#">▶ Repair note: Slip_ring</a>	1	PC
23		DFPD-300-KT22 Shaft	Not available Lubricate with SYNTHY POLYMER 402/2 during assembly	1	PC
24		DFPD-300-../T6 Slip ring	Not available separately, see position A <a href="#">▶ Repair note: Slip_ring</a>	1	PC
25		B-47,63X3,53-N-NBR70 O-ring ISO3601	Not available separately, see position A	1	PC
26		B-11X3,5-N-NBR70 O-ring ISO3601	Not available separately, see position A	2	PC

Pos.	Part no.	Type	Note	Qty.	Unit
27		12,3X23X2,5-1.4301 Ring	Not available separately, see position A	2	PC
28		ISO 4032-M12-A2-70 Hex nut	Not available separately, see position A Tightening torque 67.5 Nm / 49.8 lbf ft	2	PC
29		DFPD-300 adjusting screw	Not available separately, see position A	2	PC
30		SYNTHY POLYMER 402/2 Lubricating grease	SYNTHY POLYMER 402-2 Lubricating grease Not available separately, see position A	1	PC