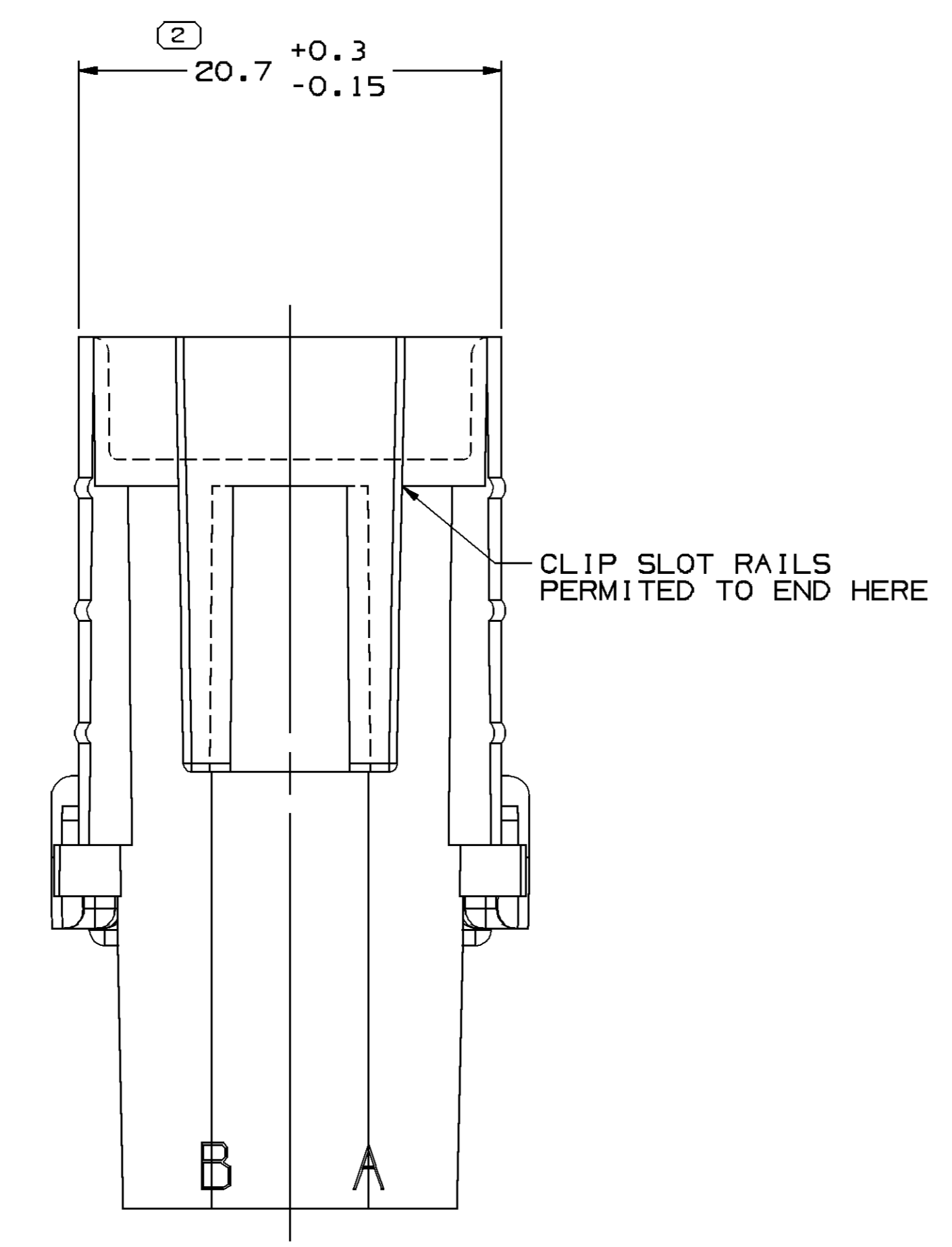
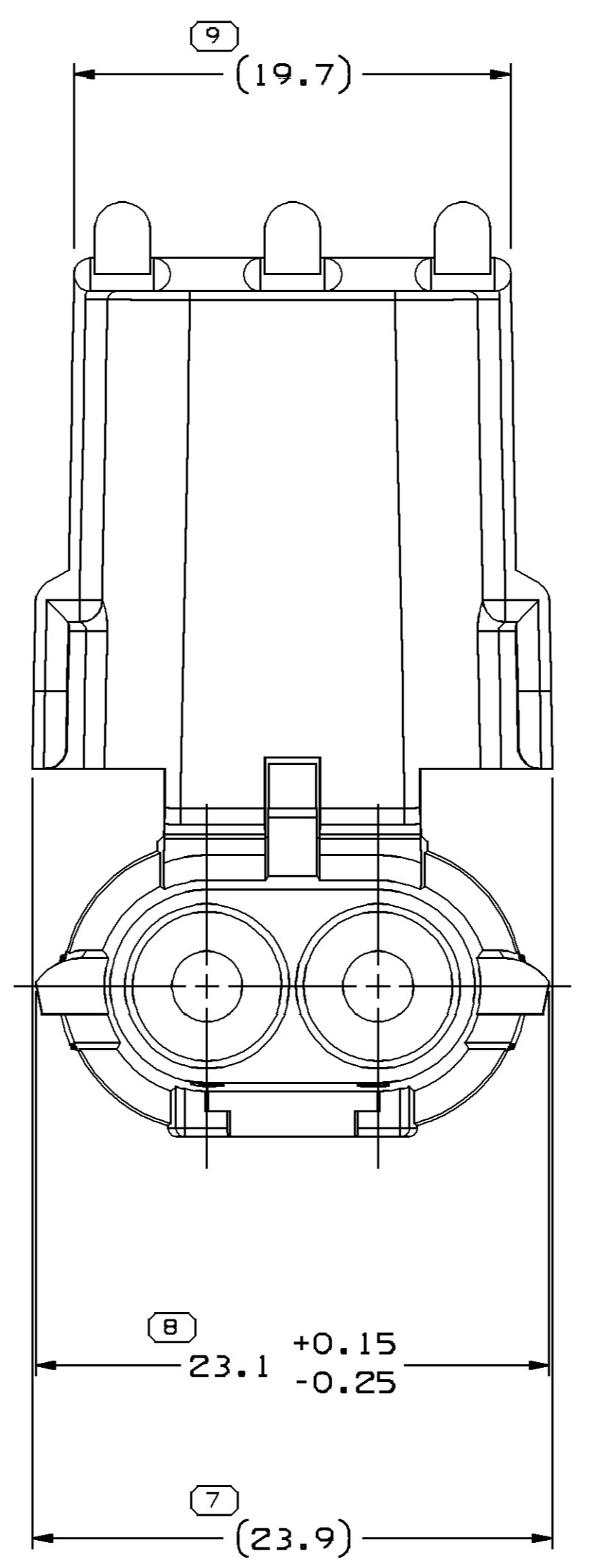
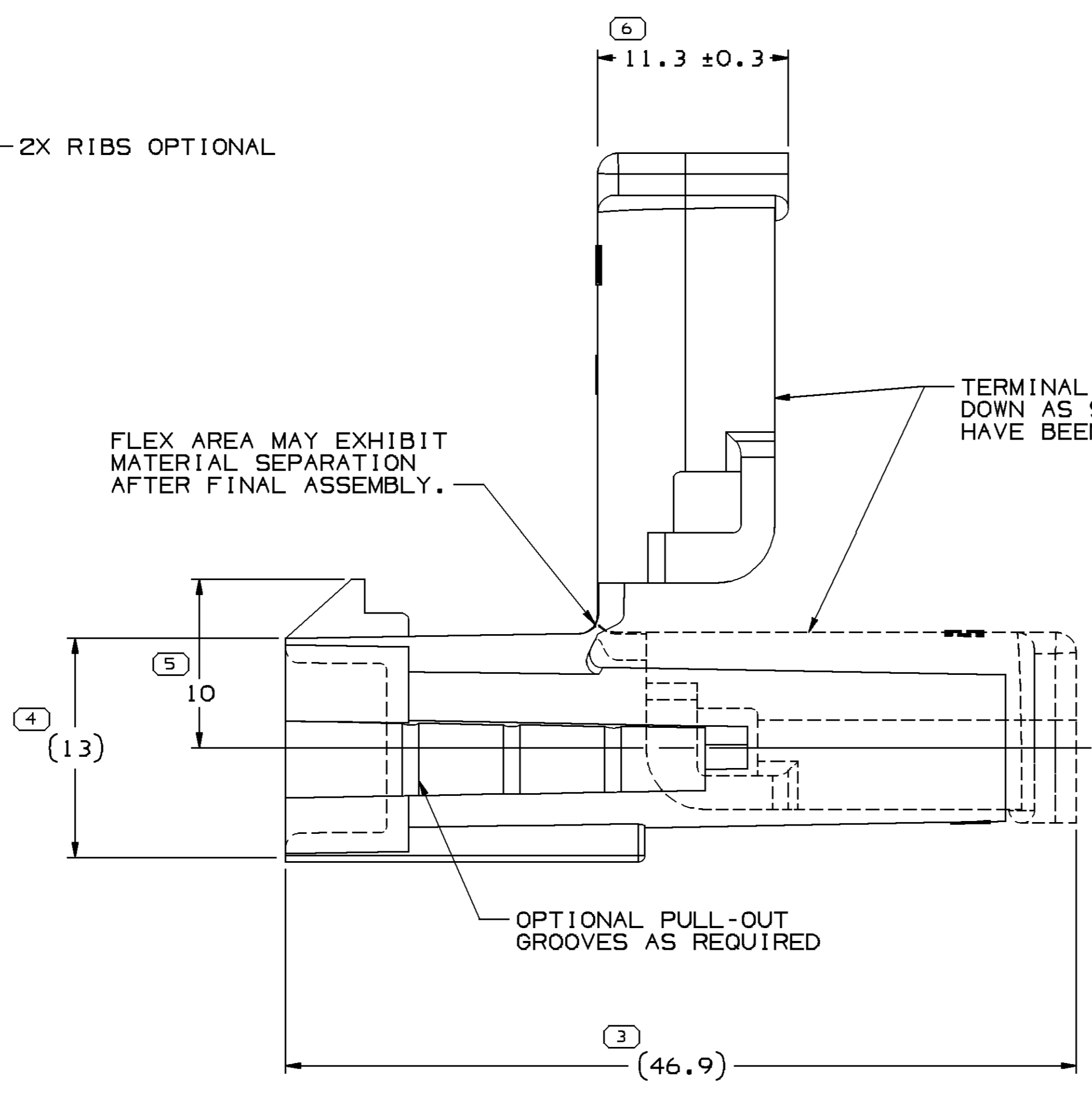
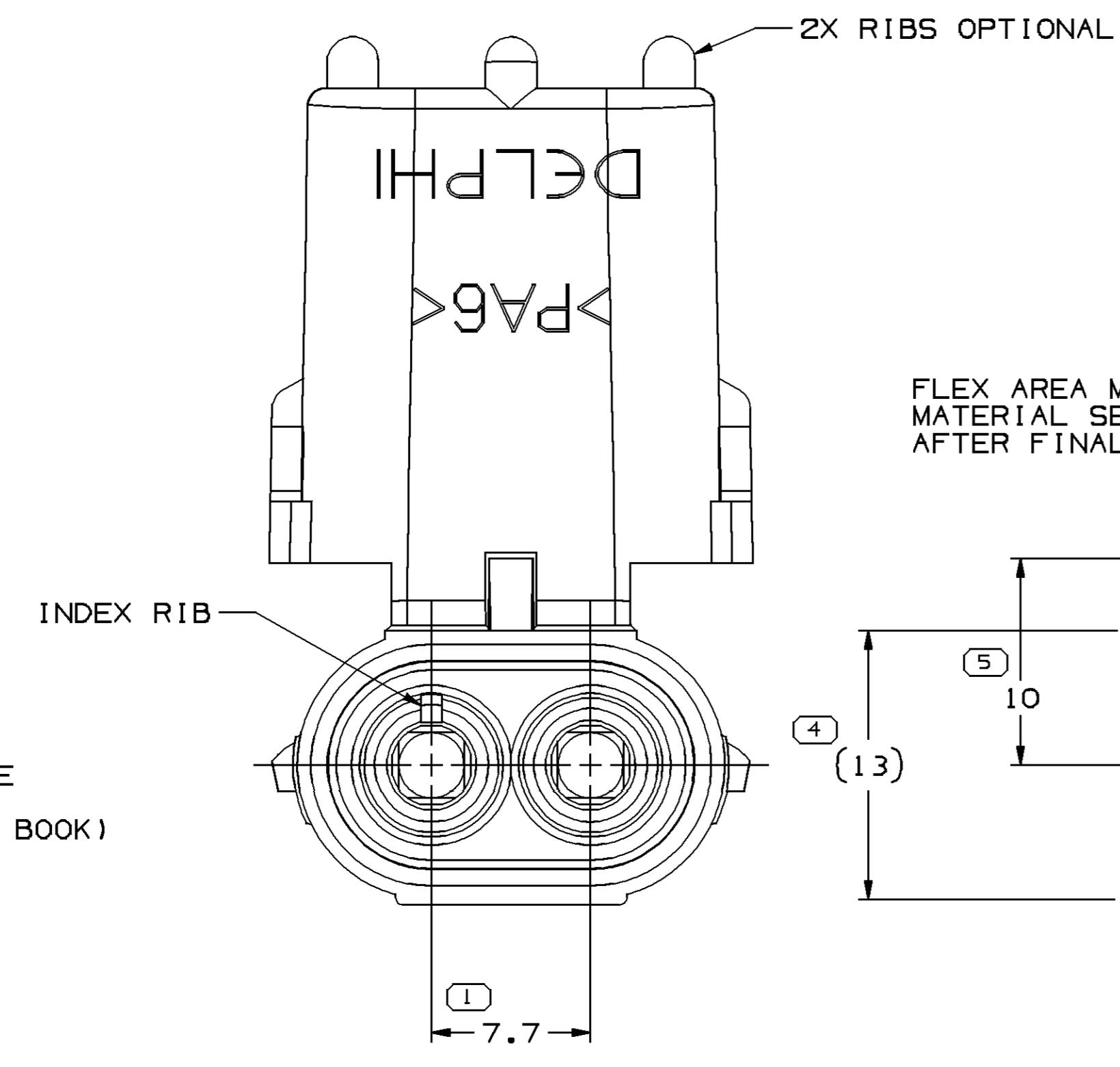
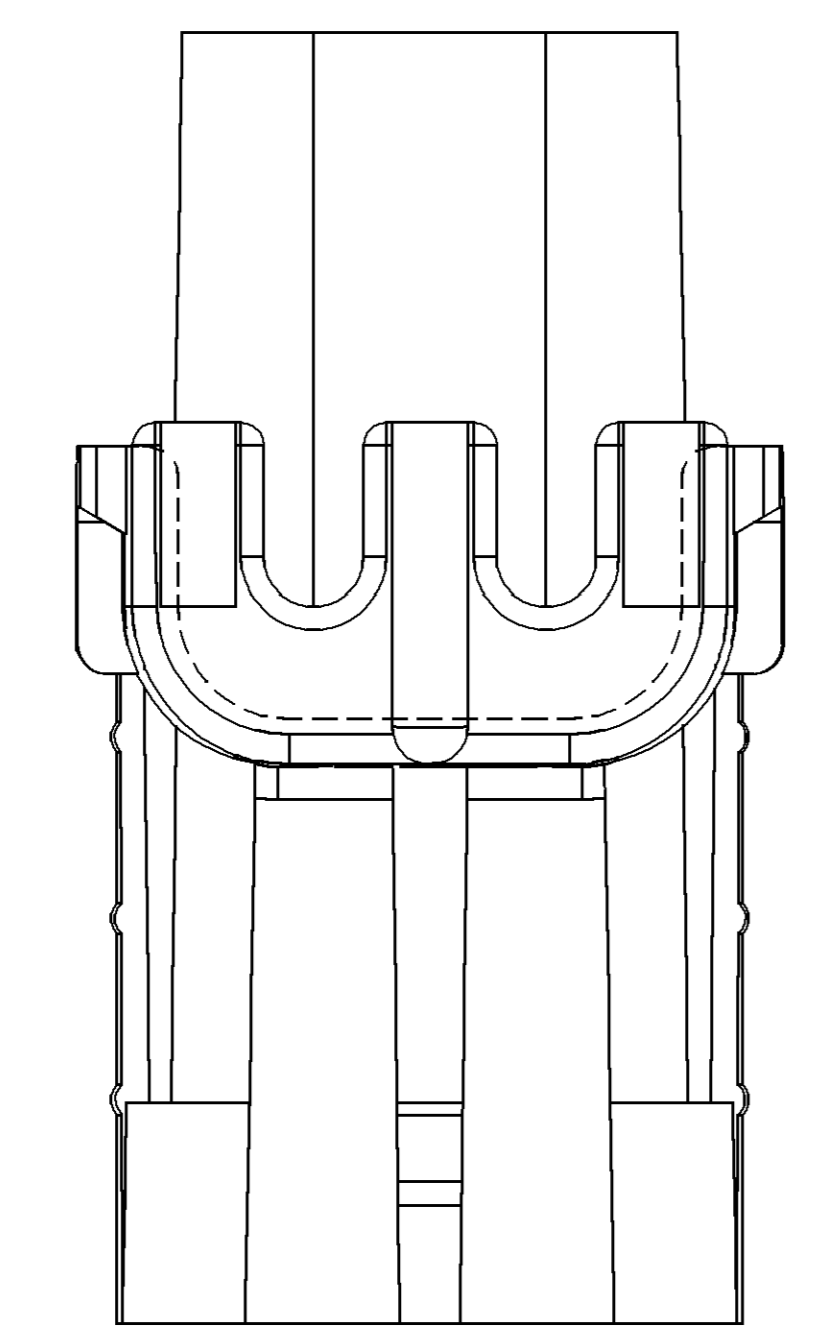
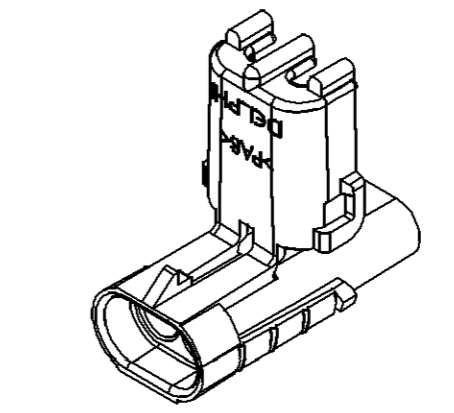


SYMBOL DEFINITION		TOTAL NO OF INSPECTIONS REQUIRED	NO MISSING SYMBOL NUMBER
A DIMENSION WITHOUT AN INSPECTION REPORT SYMBOL □ DOES NOT REQUIRE INSPECTION. IT MAY BE CONTROLLED ON THE INDIVIDUAL COMPONENT DRAWING.		9	
	LAST NO. USED	9	

DATE		STG	REV	N/P	CHG	ZONE	REVISION HISTORY	AUTH	DR	AP/VD
18JA01	R	01	-	-	-	-	ALL PARTS - REDRAWN TO PD	205857	EOV	EDV JA
10MY02	R	02	-	-	-	-	ALL PARTS - REVISED DRAFT ON FRONT LOCK AREA	225251	EOV	EDV RC
11DE02	R	03	-	-	-	-	ALL PARTS - 20.7 +0.3/-0.15 WAS 20.7 +0.2/-0.15	234561	EOV	EDV RC
21AU03	R	04	-	-	-	-	ALL PARTS - REVISED CAVITY TO MATCH ESD & REVISED DRAFT ON FRONT LOCK AREA	244745	EOV	EDV AM
01JL04	R	05	-	-	-	-	ALL PARTS - REMOVED TWO OPTIONAL CONSTRUCTION VIEWS; ADDED DIM TO TGD	256451	JS	JS TM
12AP06	R	06	-	-	-	-	ALL PARTS - UPDATED PDM ATTRIBUTES	276333	JS	JS TM
27DE06	R	07	-	-	-	-	12146103 - OBSOLETE	288195	MDH	FRG 661
26JA07	R	08	-	-	-	-	ALL ACTIVE PARTS - REMOVED NOTE 5	400344	HCB	JVM WTM



- NOTES
- UNLESS OTHERWISE SPECIFIED AND/OR INDICATED:  
DIMENSIONS ARE TO FACE OF VIEW SHOWN AND AUTOMATICALLY ROUNDED BY COMPUTER FOR INSPECTION (SEE MATH MODEL FOR PRECISE DIMENSIONS). FOR ALL OTHER DIMENSIONS NOT SHOWN BUT REQUIRED FOR TOOL BUILD, SEE MATH MODEL FOR PRECISE TOOL PATH DATA.
  - MATERIAL RECYCLING CODE PER ISO 11469. (2.31X(0.1) RAISED CHARACTERS AS SHOWN TO BE LOCATED ON ANY EXTERIOR SURFACE. OPTIONAL CONSTRUCTION TO BE NO MATERIAL RECYCLING CODE.
  - SEALING CODE 3 - DESIGN WILL PASS SALT FOG AND IMMERSION TEST AFTER CONDITIONING AS SPECIFIED IN ESA-644 (WEATHER-PACK), ESA-710 (METRI-PACK), ESA-650 (UNDERHOOD MICRO-PACK), C-4006 (WORLD CONNECTOR), ETC WHEN MATED TO MATING PART OR EQUIVALENT
  - THIS PART ACCEPTS THE FOLLOWING COMPONENTS OR EQUIVALENT:  
TERMINAL 12089040  
CABLE SEAL 12015323
  - CAUTION: DO NOT ATTEMPT TO COPY THIS DRAWING WHEN DESIGNING A MATING PART TO A WEATHER PACK CONNECTOR. PLEASE REQUEST THE LATEST COPY OF DRAWING NUMBER 12020084 FROM THE PACKARD ELECTRIC DIVISION.
  - (2.31X(0.1) RAISED DELPHI CORPORATE BRAND TO BE LOCATED ON ANY EXTERIOR SURFACE, PREFERABLY VISIBLE AT FINAL ASSEMBLY. OPTIONAL CONSTRUCTION TO BE "PED" OR NO LOGO.



VIEW SCALE DOES NOT REFLECT ACTUAL PART SIZE

PART DRAWING																					
DATE	18JA01																				
STG	R																				
REV	01																				
N/P	-																				
CHG	-																				
ZONE	-																				
DWG TYPE	PART DRAWING																				
STYLE	SEE CHART																				
VOLUME (1/4)	SEE CHART																				
DISTR CODE	D																				
UNLESS OTHERWISE SPECIFIED																					
THIS DOCUMENT IS IN ACCORDANCE WITH ASME Y14.5M-1994 AS MODIFIED BY THE MDCS DIMENSIONING AND TOLERANCE PRACTICES. SEPARATE RATINGS OF FEATURES MAY BE OBTAINED SEPARATELY PER DELPHI 10947001																					
ALL DIMENSIONS ARE IN MILLIMETERS																					
REFERENCE																					
DIMENSIONS ENCLOSED IN ( ) INDICATE PROCESS SENSITIVE DIMENSION																					
DIMENSIONS ENCLOSED IN [ ] INDICATE REFERENCE DIMENSIONS AND NO TOLERANCE LIMITS ARE ESTABLISHED																					
THIRD ANGLE PROJECTION																					
DO NOT SCALE																					
USE MATH DATA																					
<table border="1"> <thead> <tr> <th>DIMENSIONAL RANGE (MM)</th> <th>TOLERANCE</th> </tr> </thead> <tbody> <tr> <td>FROM &gt; 0 TO &gt; 20</td> <td>±0.15</td> </tr> <tr> <td>&gt; 20 TO &gt; 30</td> <td>±0.2</td> </tr> <tr> <td>&gt; 30 TO &gt; 70</td> <td>±0.3</td> </tr> <tr> <td>&gt; 70 TO &gt; 100</td> <td>±0.4</td> </tr> <tr> <td>&gt; 100 TO &gt; 150</td> <td>±0.5</td> </tr> <tr> <td>&gt; 150 TO &gt; 200</td> <td>±0.6</td> </tr> <tr> <td>&gt; 200 TO &gt; 250</td> <td>±0.8</td> </tr> <tr> <td>&gt; 250 TO &gt; 300</td> <td>±1.0</td> </tr> <tr> <td>&gt; 300 TO &gt; 400</td> <td>±1.2</td> </tr> </tbody> </table>		DIMENSIONAL RANGE (MM)	TOLERANCE	FROM > 0 TO > 20	±0.15	> 20 TO > 30	±0.2	> 30 TO > 70	±0.3	> 70 TO > 100	±0.4	> 100 TO > 150	±0.5	> 150 TO > 200	±0.6	> 200 TO > 250	±0.8	> 250 TO > 300	±1.0	> 300 TO > 400	±1.2
DIMENSIONAL RANGE (MM)	TOLERANCE																				
FROM > 0 TO > 20	±0.15																				
> 20 TO > 30	±0.2																				
> 30 TO > 70	±0.3																				
> 70 TO > 100	±0.4																				
> 100 TO > 150	±0.5																				
> 150 TO > 200	±0.6																				
> 200 TO > 250	±0.8																				
> 250 TO > 300	±1.0																				
> 300 TO > 400	±1.2																				

**DELPHI**  
DELPHI PACKARD ELECTRIC SYSTEMS  
WREN, OH

DR	DATE
APV01 E. VAZQUEZ	18JA01
APV02 E. VAZQUEZ	18JA01
APV03 J. ALVAREZ	18JA01
APV04	
APV05	

MATERIAL: SUBSTANCES OF CONCERN AND RECYCLED CONTENT PER DELPHI 10947001

SEE CHART

DRAWING NAME: TAXI CONN M W/P SHD SLD

DRAWING NUMBER: 12146288

SIZE	SCALE	FRAME NO	SHEET NO	REV	N/P
A0	4:1	1	1	1	08

PART NO	REV	N/P	STATUS	MATERIAL SPECIFICATION AND COLOR	APPLICATION	REF: TERMINAL/GENDER	ASSEMBLY PART NUMBER	MATING PART	VOL CM <sup>3</sup>
12176672	A7	-		M3596003 PA6 GRA MD	IN-LINE	12089040/MALE			5.621
12146103	A9	-	OBSOLETE	M3596001 PA6 NAT	IN-LINE	12089040/MALE		12045898	5.621
12010973	F10	-		M3596002 PA6 BLK	IN-LINE	12089040/MALE	12047670	12015792	5.621