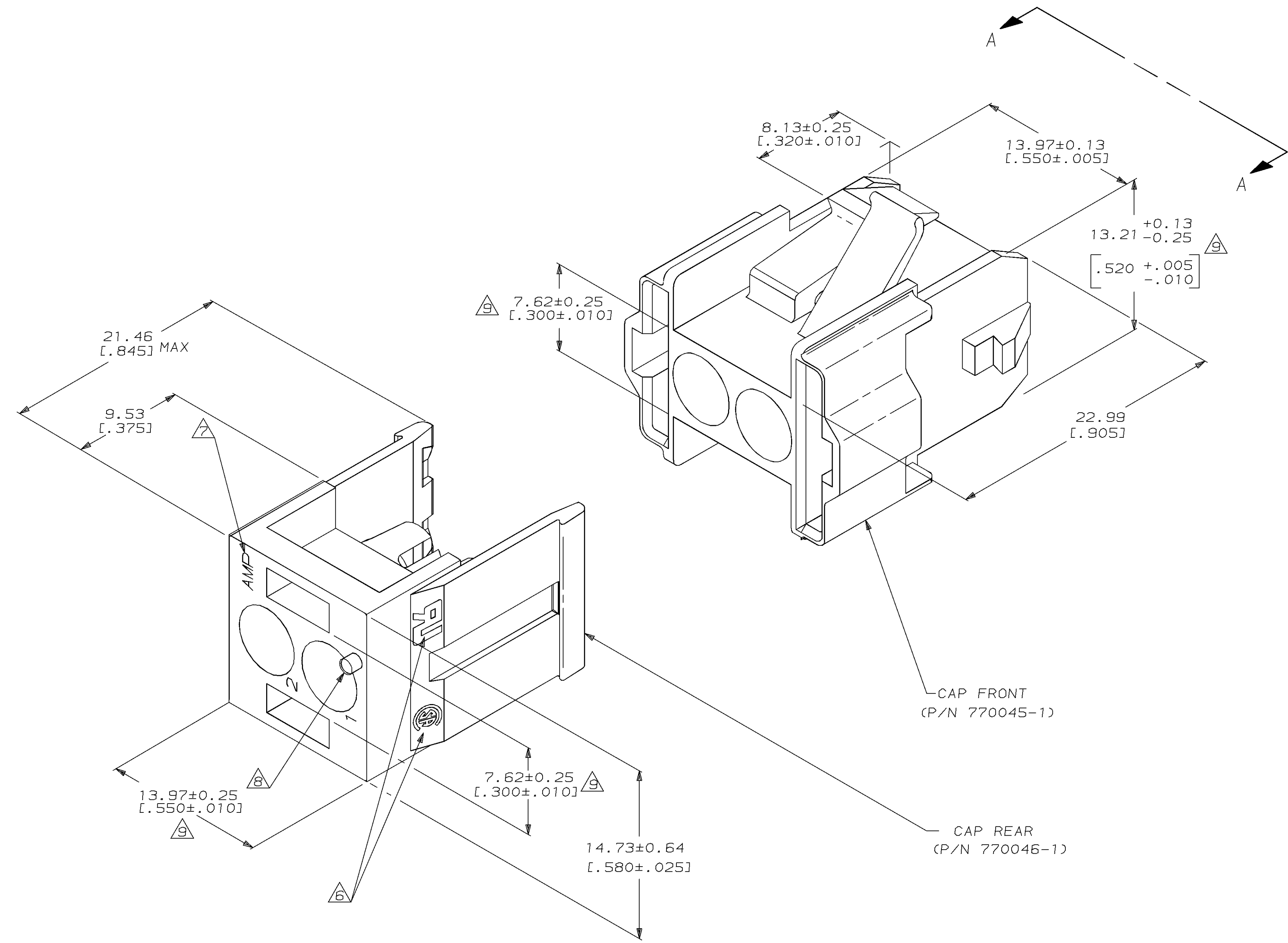
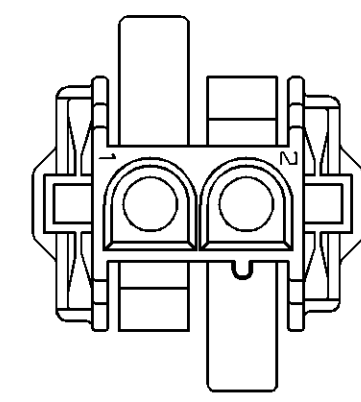
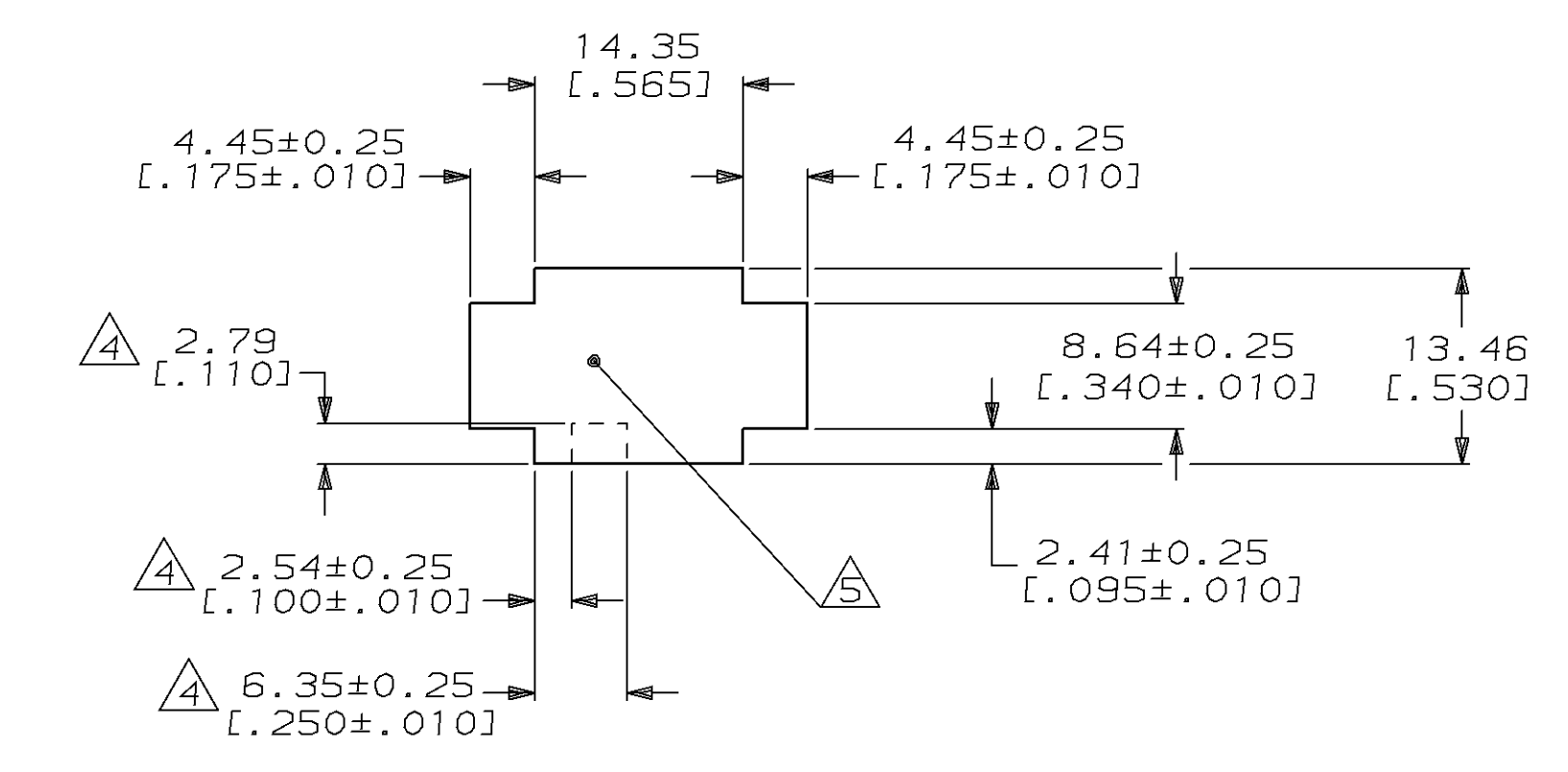


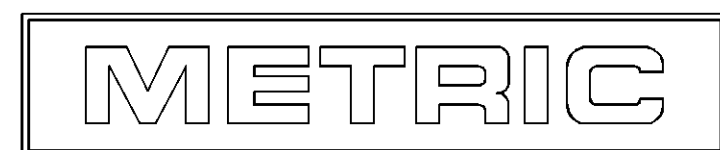
LOC		DIST		P		F		ZONE		LTR		REVISIONS			
CM	53											DESCRIPTION	DATE	APPD	
												F	REV PER EC 0730-0211-95	2-27-96	RV



- BULK PACKAGED, UNASSEMBLED.
- RECOMMENDED PANEL THICKNESS 0.76-2.29 [.030-.090].
- PANEL MUST BE PUNCHED SO THAT THE HOUSING ENTERS THE PANEL IN THE SAME DIRECTION AS THE PUNCH.
- OPTIONAL FOR KEYING HOUSING IN PANEL.
- CIRCUIT NO. 1 LOCATON.
- APPROVAL AGENCY LOGO LOCATED APPROXIMATELY AS SHOWN.
- AMP LOGO LOCATED THIS SURFACE.
- CIRCUIT NUMBER ONE IDENTIFICATION BUTTON AND CIRCUIT IDENTIFICATION NUMBERS ARE EACH LOCATED ADJACENT TO THE APPROPRIATE CIRCUIT CAVITIES.
- DIMENSION INDICATED IS AS MOLDED. ADDITIONAL GROWTH DUE TO SUBSEQUENT MOISTURE ABSORPTION MAY OCCUR.



VIEW A-A
 SCALE 2:1



770024-1
 PART NUMBER

DO NOT SCALE PRINT. UNLESS SPECIFIED DIMENSIONS IN INCHES TOLERANCES ON:		DR 1-22-92 K. SALMON		PART NO	
1 PLC DEC ± 0.13 [.005]		CHK 1-22-92 R. SWING		AMP AMP INCORPORATED Harrisburg, Pa. 17105	
2 PLC DEC ± 0.13 [.005]		APPD 1-22-92 M. TRULL		NAME	
3 PLC DEC ± 0.13 [.005]		APPD 1-22-92 M. TRULL		CAP HOUSING KIT, 2 CIRCUIT, IN-LINE, UNIVERSAL MATE-N-LOK™ II	
MATERIAL		PRODUCT SPEC		DRAWING NO	
NYLON, UL94V-0,				770024	
FINISH		APPLICATION SPEC		SCALE	
				5:1	
WEIGHT		FSCM NO		SHEET	
		00779		1 OF 1	

CUSTOMER DRAWING