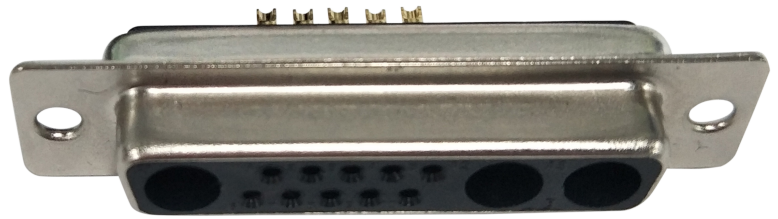


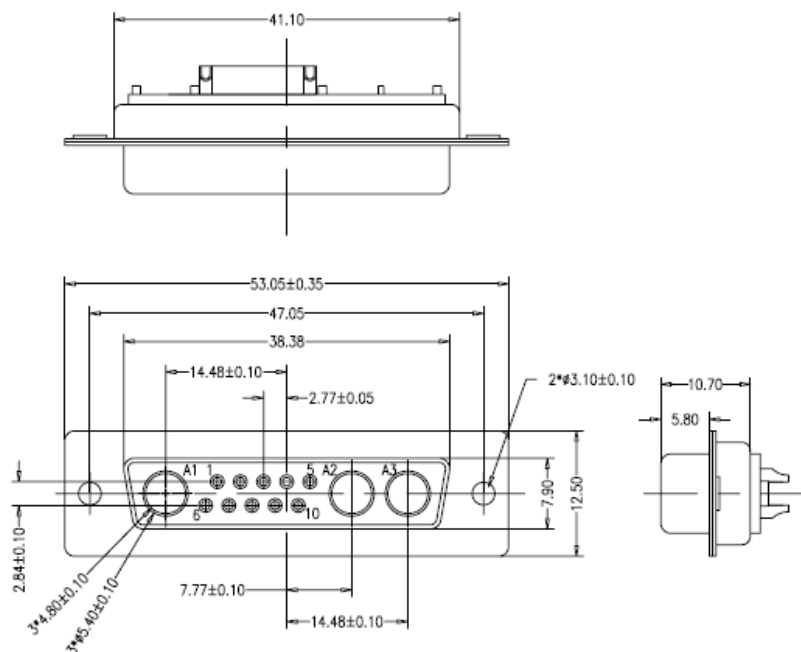
D-Sub Combination Connector



Specification

Contact Arrangement	13W3
Contact Type	Female
Mounting Type	Straight
Termination Type	Solder Lug
Insulation Resistance	500 Mohm min @ 500 VDC
Contact Resistance	25 mOhm
Operating Temperature Min.	-20 °C
Operating Temperature Max.	85 °C
Dielectric Withstanding Voltage	1000 VAC RMS
Contact Rating	3 A max.
Contact Material	Brass
Insulator Material	PBT, UL 94V-0
Shell Material	Cold Roller Steel
Contact Finish Material	Gold Flash
Shell Finish Material	Front Nickel, Back Tin
Insulator Colour	Black

Drawing



Art. Nr.
RND 205-01110