

**FLUSH TANK TAPS**

**ISO 9001-2008**



**Size :** DN 3/8"  
**Ends :** Male, free nut BSP  
**Min Temperature :** 0°C  
**Max Temperature :** + 90°C  
**Max Pressure :** 10 Bars  
**Specifications :** For flush tank

**Materials :** Brass

## FLUSH TANK TAPS

### SPECIFICATIONS :

- Flush tank taps
- PTFE packing for angle types (Ref.1340 and 1341)
- With free nut

### USE :

- For water
- Min Temperature Ts : 0°C
- Max Temperature Ts : + 90°C
- Max Pressure Ps : 10 bars

### RANGE :



- Angle plain brass flush tank taps male / female **Ref. 1340** DN 3/8"



- Angle chromed brass flush tank taps male / female **Ref. 1341** DN 3/8"



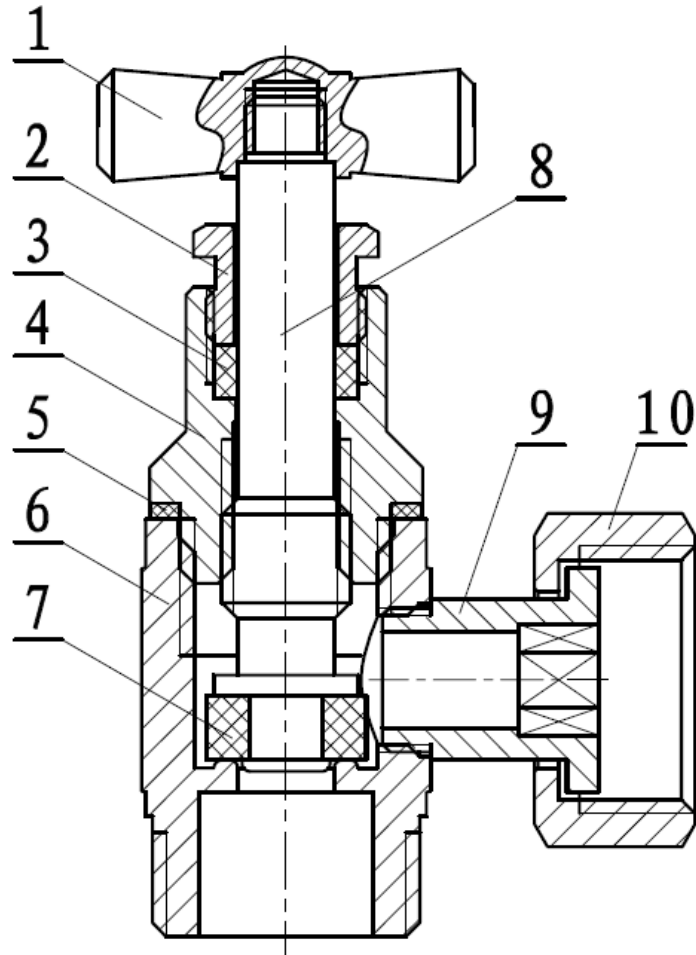
- Straight plain brass flush tank taps male / female **Ref. 1342** DN 3/8"



- Straight brass flush tank taps male / female **Ref. 1343** DN 3/8"

**FLUSH TANK TAPS**

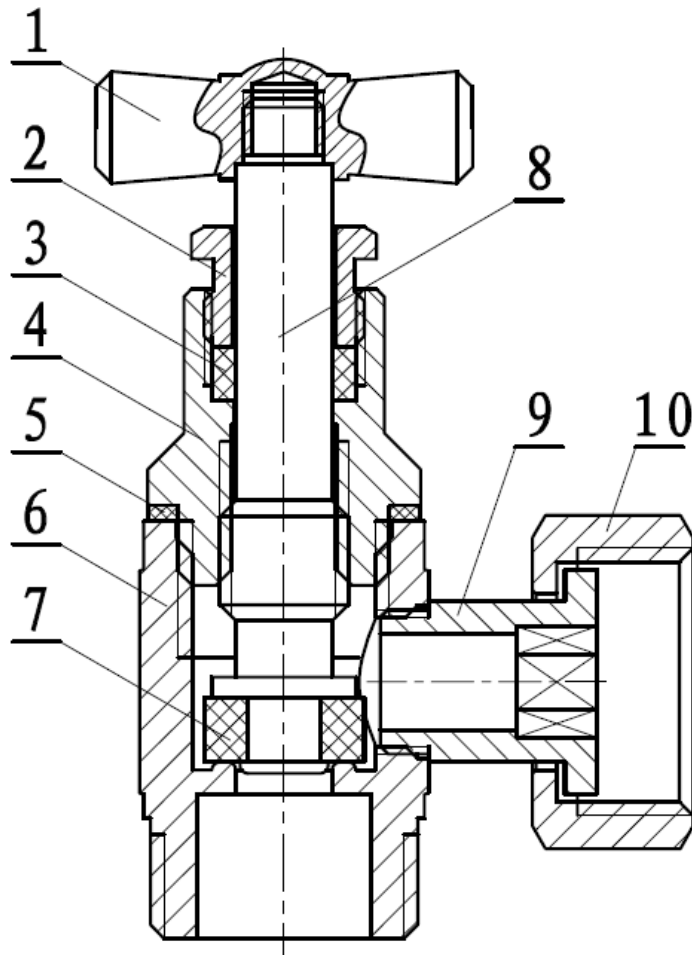
MATERIALS ANGLE PLAIN BRASS FLUSH TANK TAP REF.1340 :



Item	Designation	Materials Ref.1340
1	Handle	Brass
2	Gland	Brass
3	Packing	NBR
4	Bonnet	Brass
5	Gasket	Fibers
6	Body	Brass
7	Gasket	NBR
8	Stem	Brass
9	Ends	Brass
10	Free nut	Brass

**FLUSH TANK TAPS**

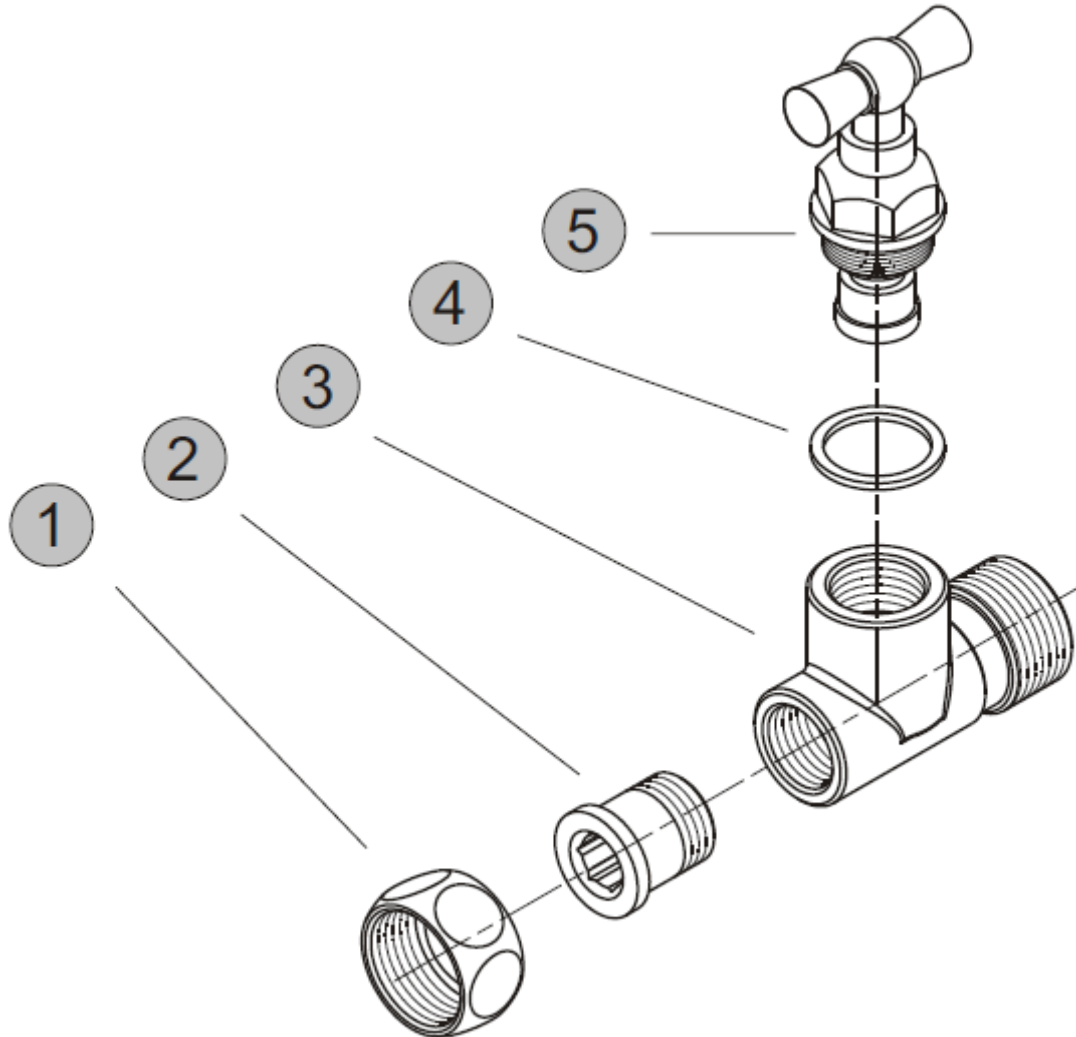
MATERIALS ANGLE CHROMED BRASS FLUSH TANK TAP REF.1341 :



Item	Designation	Materials Ref.1341
1	Handle	Chromed brass
2	Gland	Chromed brass
3	Packing	NBR
4	Bonnet	Chromed brass
5	Gasket	Fibers
6	Body	Chromed brass
7	Gasket	NBR
8	Stem	Chromed brass
9	Ends	Chromed brass
10	Free nut	Chromed brass

**FLUSH TANK TAPS**

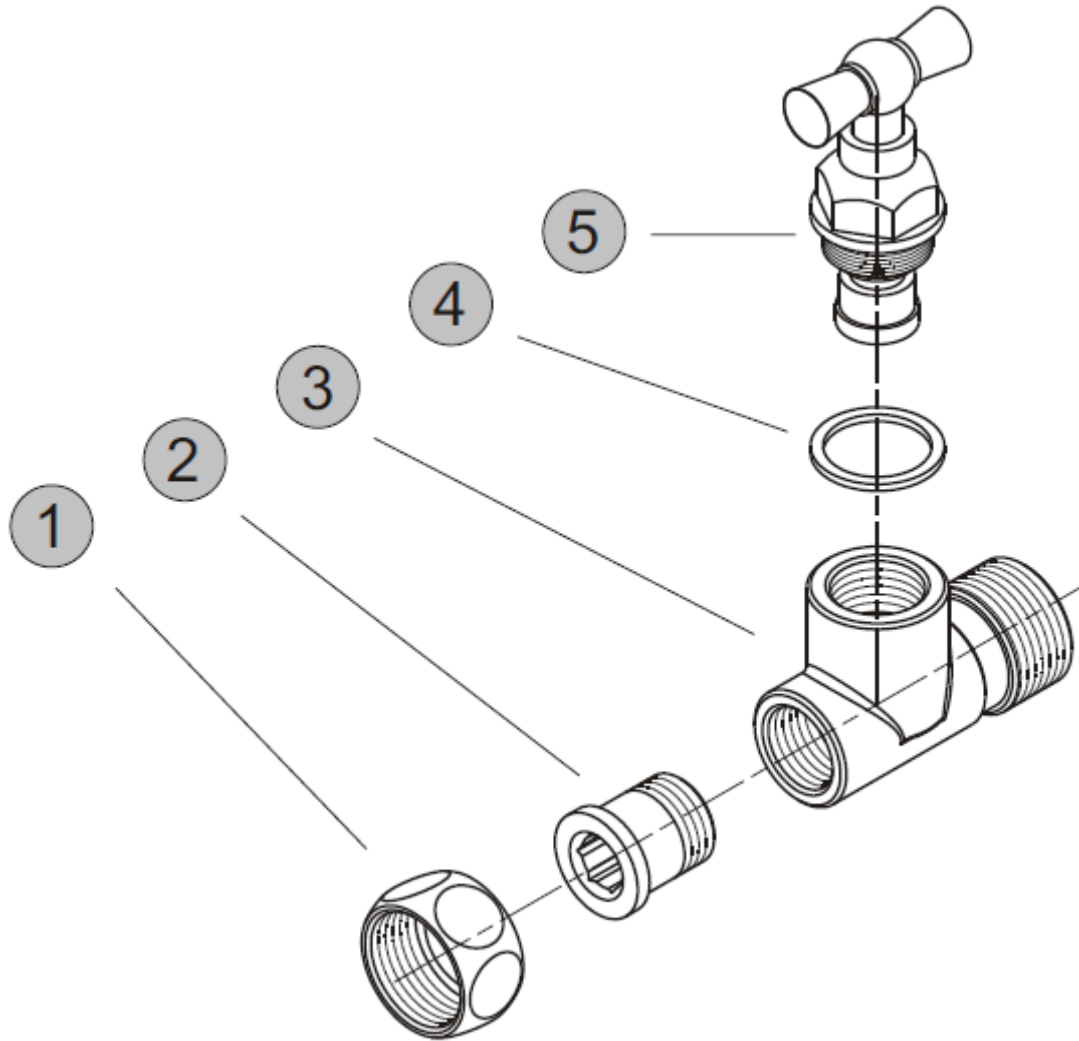
MATERIALS STRAIGHT PLAIN BRASS FLUSH TANK TAP REF.1342 :



Item	Designation	Materials Ref.1342
1	Free nut	Brass CW 617 N according to EN 12165
2	Ends	Brass CW 617 N according to EN 12165
3	Body	Brass CW 617 N according to EN 12165
4	Gasket	Fibers
5	Bonnet	Brass CW 617 N according to EN 12165

**FLUSH TANK TAPS**

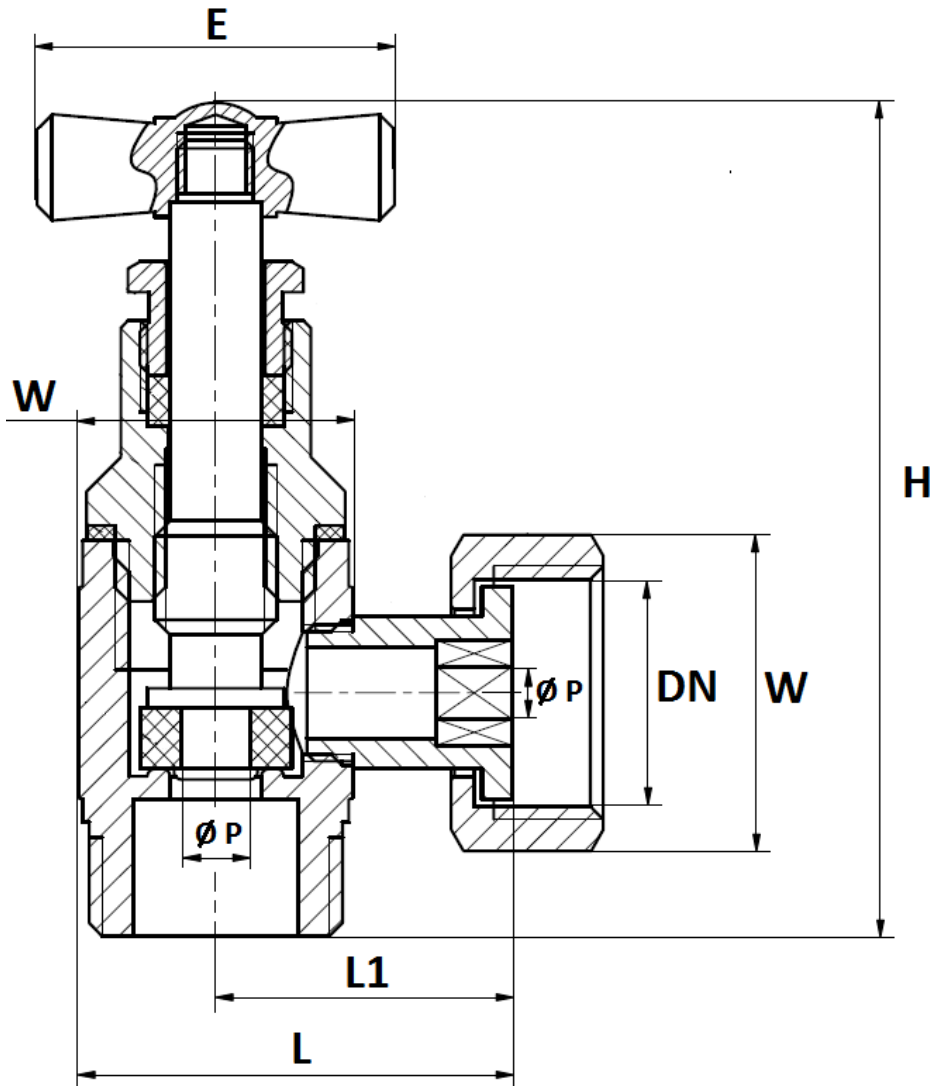
MATERIALS STRAIGHT CHROMED BRASS FLUSH TANK TAP REF.1343 :



Item	Designation	Materials Ref.1343
1	Free nut	Chromed brass CW 617 N according to EN 12165
2	Ends	Chromed brass CW 617 N according to EN 12165
3	Body	Chromed brass CW 617 N according to EN 12165
4	Gasket	Fibers
5	Bonnet	Chromed brass CW 617 N according to EN 12165

**FLUSH TANK TAPS**

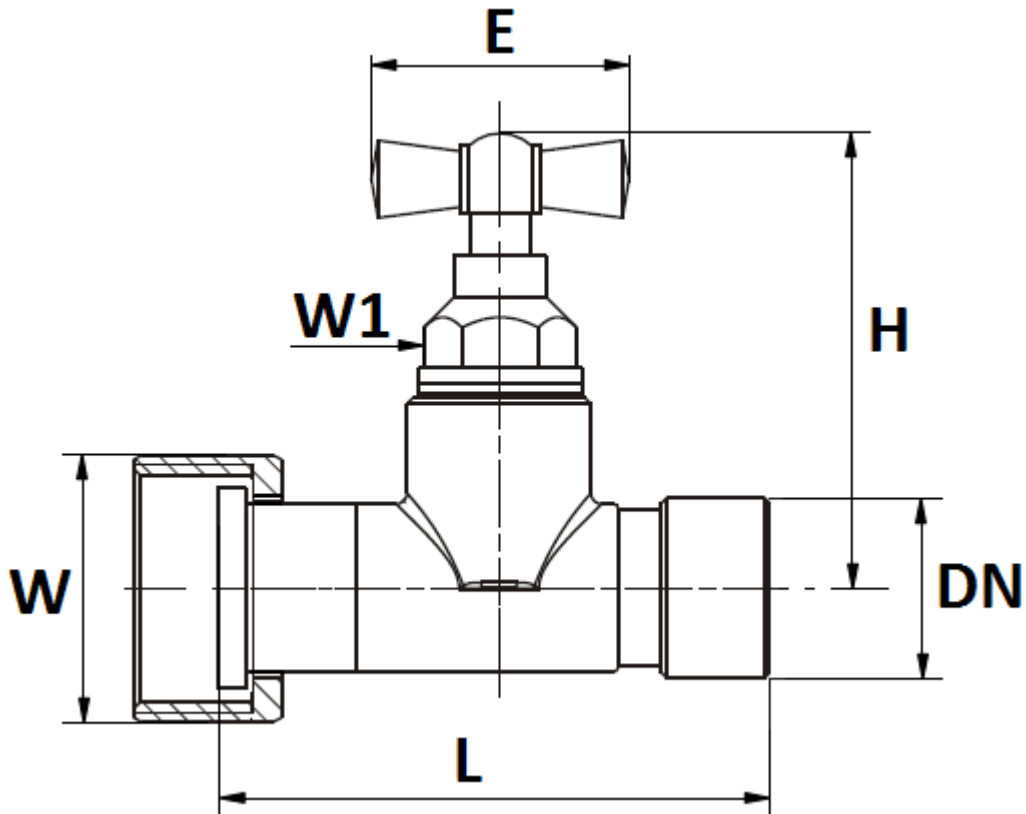
SIZE ANGLE VALVES REF.1340/1341 ( in mm ) :



Ref.	DN	3/8"
1340003 1341003	Ø P	6
	L	28
	L1	20
	H (opened)	58.5
	H (closed)	53.5
	E	24
	W (on flat)	18
Weight (in Kg)	0.076	

**FLUSH TANK TAPS**

**SIZE STRAIGHT VALVES REF.1342-1343 ( in mm ) :**



Ref.	DN	3/8"
1342003 1343003	L	48.5
	H (opened)	46
	H (closed)	40
	E	25
	W (on flat)	18
	W1 (on flat)	13
	Weight ( in Kg )	0.084



## FLUSH TANK TAPS

### STANDARDS :

- Fabrication according to ISO 9001 : 2008
- **DIRECTIVE 97/23/CE** : Products excluded from directive ( Article 1, § 3.2 )

**ADVICE** : Our opinion and our advice are not guaranteed and SFERACO shall not be liable for the consequences of damages.  
The customer must check the right choice of the products with the real service conditions.

## FLUSH TANK TAPS

### INSTALLATION

#### GENERAL GUIDELINES :

- Ensure that the valves to be used are appropriate for the conditions of the installation ( type of fluid,pressure and temperature ).
- Bes sure to have enough valves to be able to isolate the sections of piping as well as the appropriate equipment for maintenance and repair.
- Check the valves are installed according to existing standard.
- **Make the system so that it's possible to operate (open and close ) regularly the valves ( minimum 2 times per year).**

#### INSTALLATION

- **Before installation,pipe-line must be cleaned and free from residual of weldings,rubbish,shaving and every kind of extraneous materials.**
- **Pipe-line must be perfectly aligned and their support properly dimensioned so that there's no external.**
- **Check the lenght of the pipe-line,the valves and the wall tap connections because a deformation (dilatation, retraction) can occasion a leakage or can brake the valve.**
- **Before installation check the threaded ends so that they are cleaned.**
- **For sealing , use only PTFE.**
- **Do not tighten above a torque of 30 Nm.**
- **Use the right tools to avoid breaking the pieces.**
- **Never tighten the valves more than indicated and do not use the ends of the valves to tighten or place them.**
- **For the free nut types , use a spanner with a moderate torque.**
- **If mounting with PER tubing and hoses, it is necessary to support the tubes and hoses with the fixing to avoid strain on the valve.**

The advice and assembly instructions above do not conform to any guarantee.

The information is given in general.It states what must not and must be done.It is provided to ensure the safety of the personnel and the reliability of the valves.

The instructions in bold must be followed.