

**MICRO SWITCH**

FREEDPORT, ILLINOIS U.S.A.  
A DIVISION OF HONEYWELL

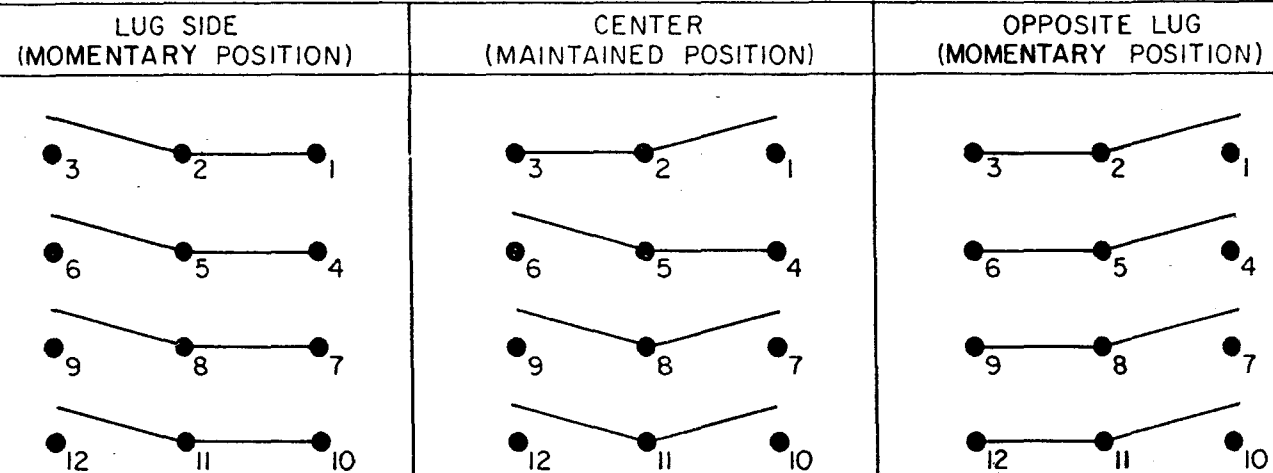
FED. MFG. CODE 91929

**SWITCH - TOGGLE  
ABOVE PANEL MOUNT**

CATALOG LISTING  
**4TP216-70**

THIS DRAWING COVERS A PROPRIETARY ITEM AND IS THE PROPERTY OF MICRO SWITCH, A DIVISION OF HONEYWELL. THIS DRAWING IS NOT TO BE COPIED OR USED WITHOUT THE APPROVAL OF MICRO SWITCH.

**CIRCUIT DIAGRAM**

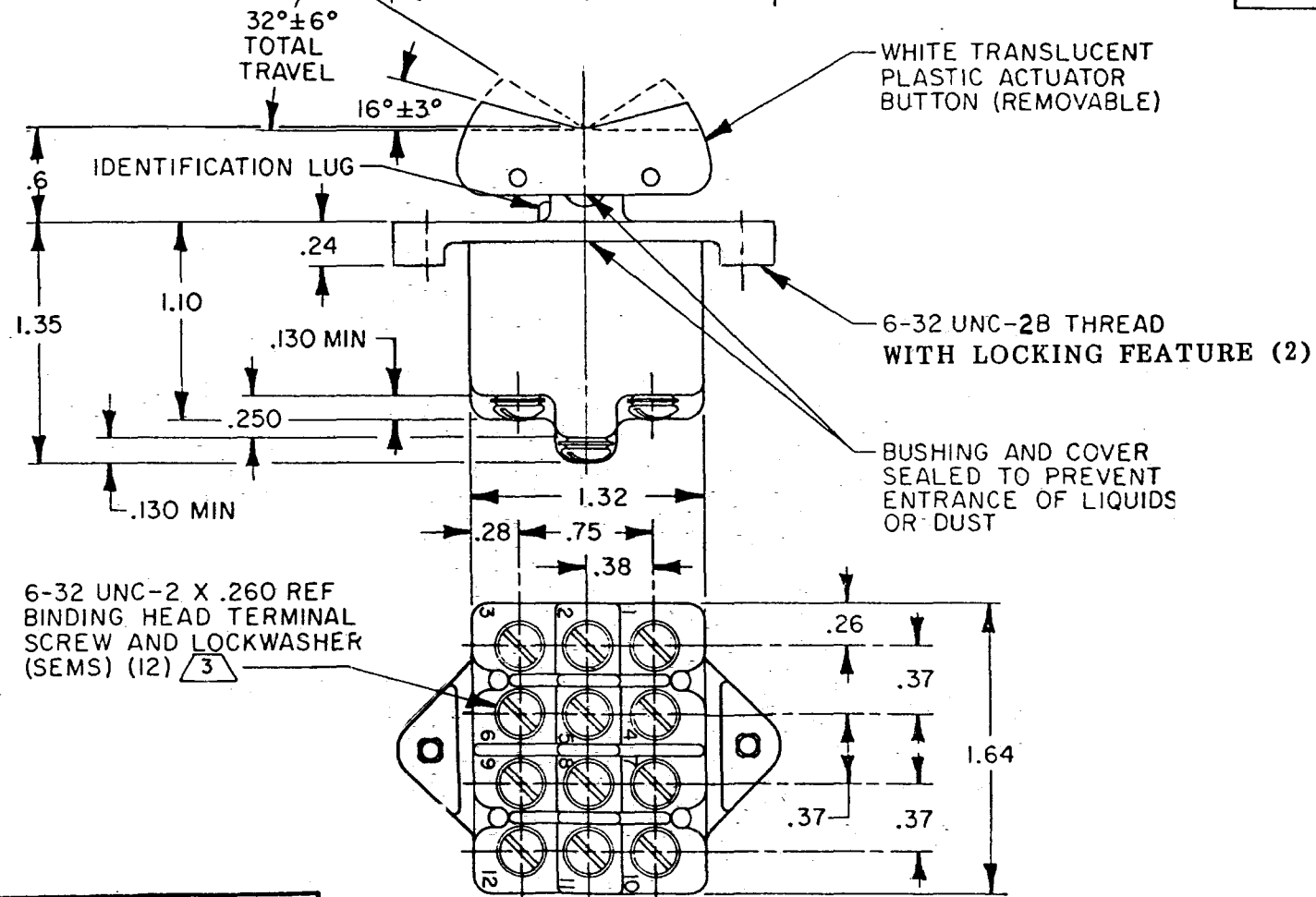
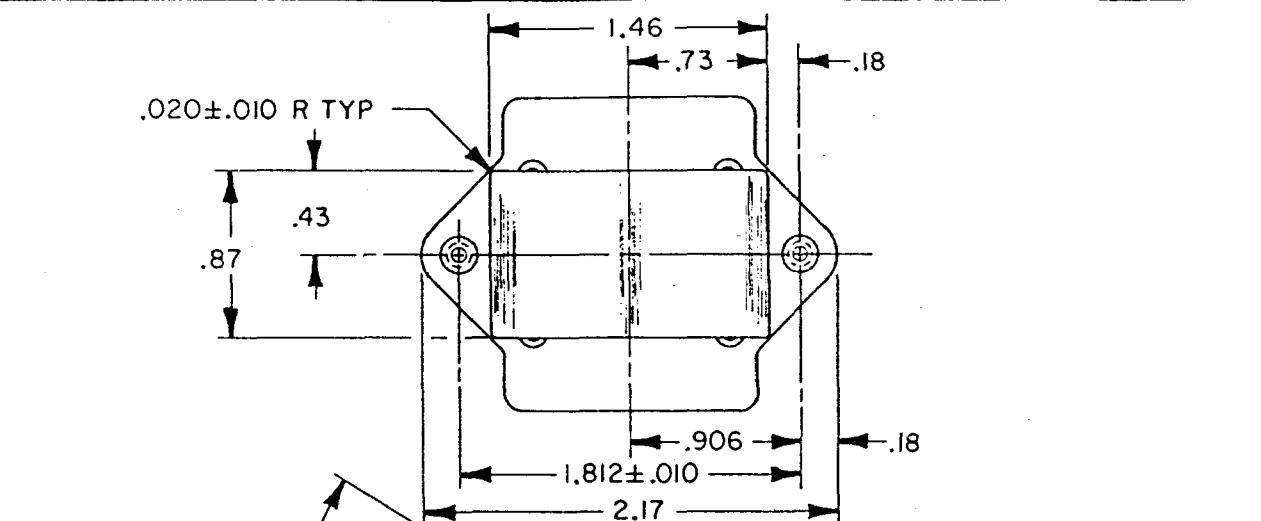


**ELECTRICAL DATA**

L192 10A 125, 250, 277 VAC  
1/4HP 125 VAC,  
1/2HP 250, 277 VAC  
3A 125 VAC "L"



DRAWING NUMBER: 4TP216-70  
 PAGE 1 OF 1  
 RELEASE NO. PR-10585  
 ISSUE: 6  
 REVISIONS:  
 A CO56164 J A P 6 MAR 85  
 B CO60064 S J 21 AUG 85  
 C CO77697 S J 15 JAN 94  
 D CO 79047 S A D 12 JAN 95  
 E CO 94416 J A 29 NOV 99  
 CHECK: KJC 25 JAN 82, CEB 3 FEB 82, CEB 28 OCT 81  
 DRAWN: J A P  
 FORMTEK FO-52854-C



THIRD ANGLE PROJECTION

SCALE FULL

DO NOT SCALE PRINT

UNLESS OTHERWISE SPECIFIED TOLERANCES ARE

ONE PLACE	(.0)	±.030
TWO PLACE	(.00)	±.015
THREE PLACE	(.000)	±.005
ANGLES		±

WEIGHT .21 LB EST

- NOTES**
- 1 - MICRO SWITCH CATALOG LISTING MARKED ON SIDE OF SWITCH
  - 2 - THESE SWITCHES WILL WITHSTAND TEMPERATURE OF 160°F
  - 3 - SCREWS FURNISHED UNASSEMBLED