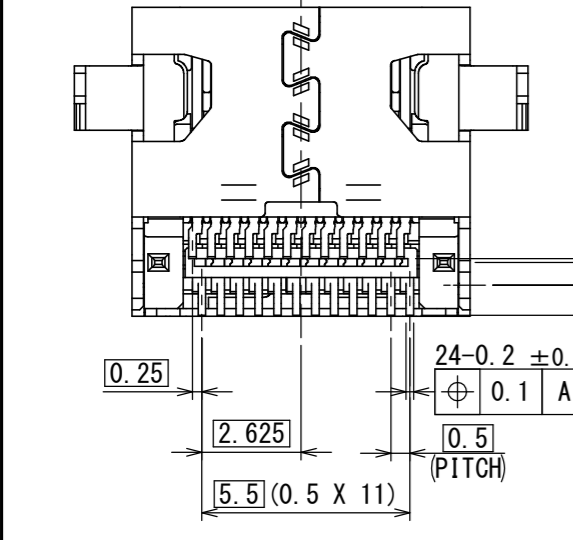
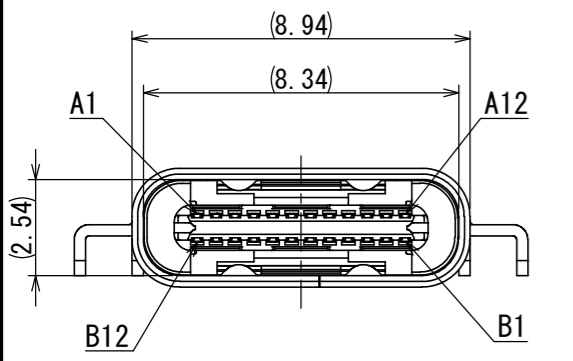
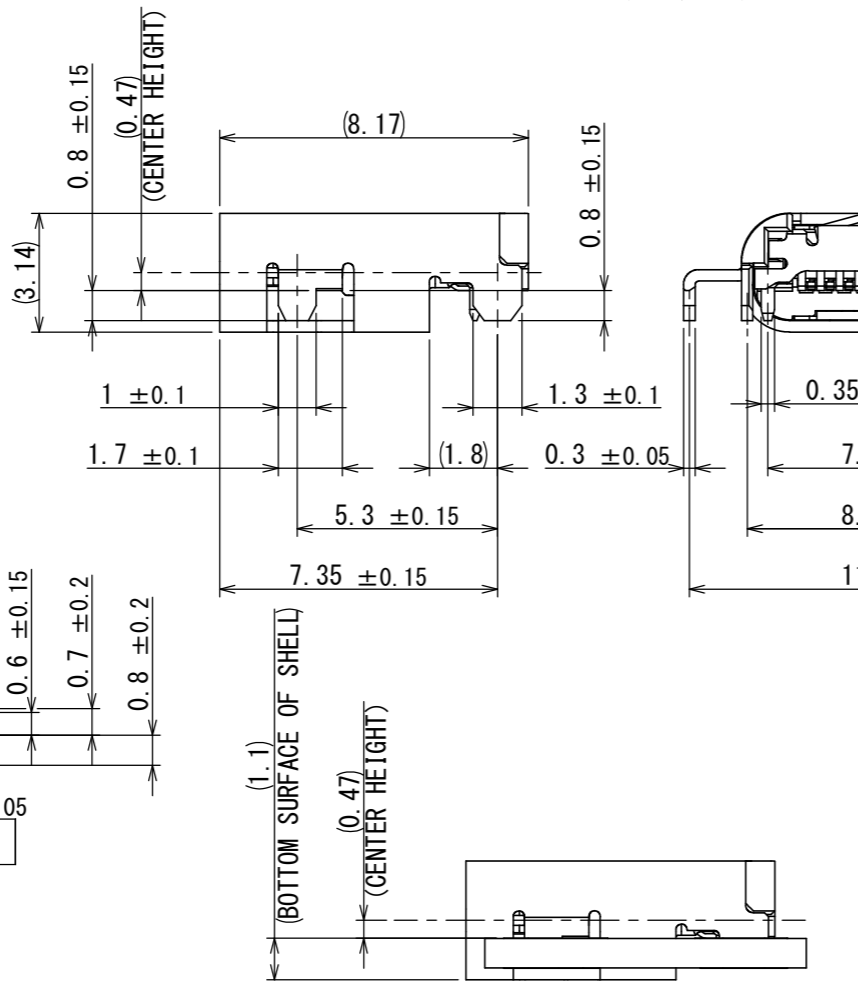
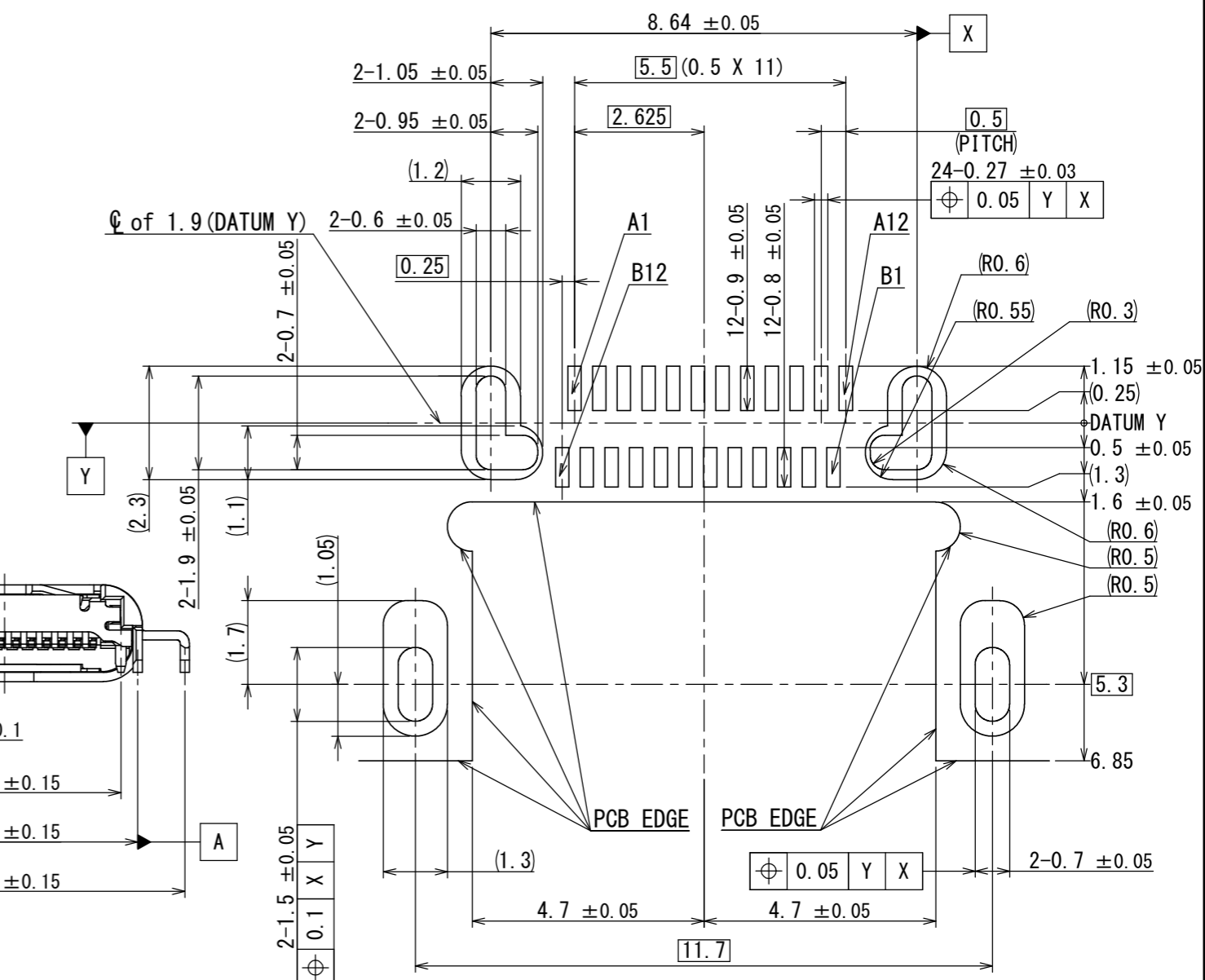
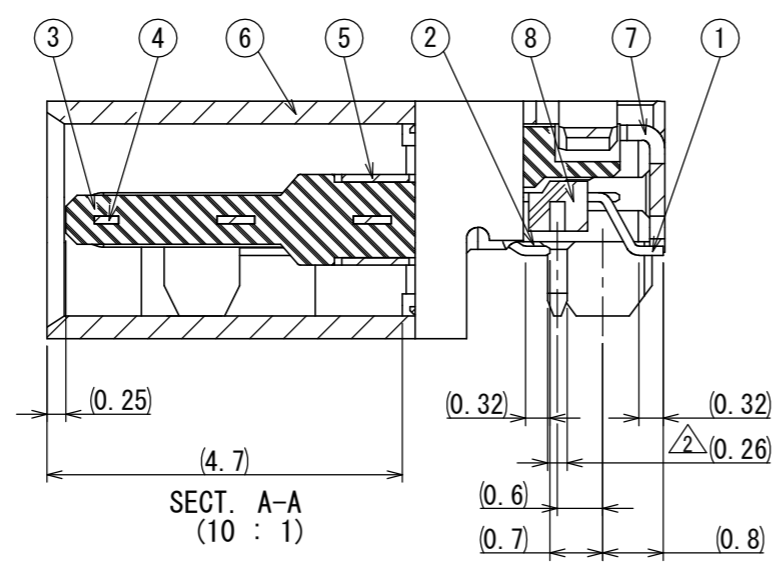
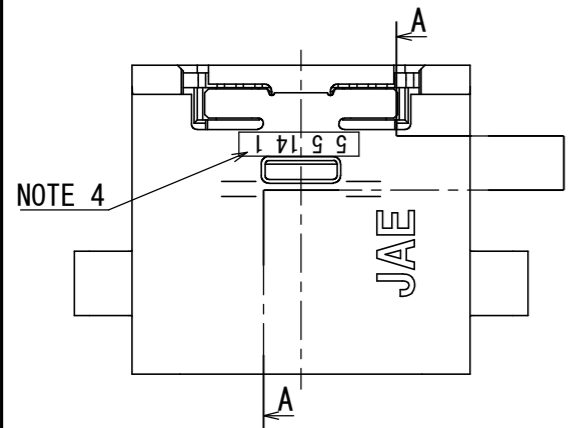


098511S
 (ON DRAWING NO.) 台異図

版数 VER.	年月日 DATE	CN NO.	変更内容 DESCRIPTION	製図 DR.	担当 CHK.	査閲 APPD.	承認 APPD.
2	25/JUN/2015	013535	ADDED DIMENSION	K. SAITOU	K. UEDA	—	Y. SAITOU



NOTE 1. THIS PRODUCT IS HALOGEN-FREE PRODUCT.
 NOTE 2. COPLANARITY OF SMT TERMINAL IS 0.1 MAX.
 NOTE 3. THE SHELL LENGTH IS LESS THAN THE MINIMUM REFERENCES IN THE USB TYPE C STANDARD.
 AS SUCH THE SYSTEM IMPREMENTER IS RESPONSIBLE FOR ACHIEVING PRODUCT RELIABILITY.
 THAT THE CONNECTOR BE MOUNTED SUCH THAT ALL FUNCTIONAL USB REQUIREMENTS ARE MET.
 NOTE 4. LOT NUMBER IS MARKED AS INDICATED.
 (EX) $\begin{matrix} 5 & 5 & 14 & 1 \\ | & | & | & | \\ \text{YEAR} & \text{MONTH} & \text{DAY} & \text{EQUIPMENT No.} \end{matrix}$
 (END OF ONE DIGIT AT CHRISTIAN ERA)
 (JAN. TO SEP.: 1 TO 9, OCT. : 0, NOV. : X, DEC. : Y)
 (TWO-DIGITS NUMBER)
 (NUMBER OR ALPHABET)

符号 NO.	名称 DESCRIPTION	個数 QTY.	材料 MATERIAL	仕上 FINISH	備考 REMARKS
8	INSULATOR2	1	HEAT RESISTING PLASTIC	COLOR:BLACK	
7	REAR SHIELD	1	STAINLESS STEEL	NICKEL PLATING	
6	SHELL	1	STAINLESS STEEL	NICKEL PLATING	
5	GND PLATE	2	STAINLESS STEEL	NICKEL PLATING	
4	MID PLATE	1	STAINLESS STEEL	NICKEL PLATING	
3	INSULATOR1	1	HEAT RESISTING PLASTIC	COLOR:BLACK	
2	CONTACT B	12	COPPER ALLOY	CONTACT AREA: GOLD FLASH OVER PALLADIUM-NICKEL OVER NICKEL	
1	CONTACT A	12	COPPER ALLOY	SOLDER TAILS: GOLD FLASH OVER NICKEL	

仕様書 (SPECIFICATION) JACS-30353 J AHL-30353	第1版 (ORIGINAL DATE) 14/MAY/2015	尺度 (SCALE) 5:1	シリーズ (SERIES) DX07	日本航空電子工業株式会社 JAE JAPAN AVIATION ELECTRONICS INDUSTRY, LTD.	図面番号 (DRAWING NO.) SJ115850	版数 (VER.) 2
一般公差 (GENERAL TOLERANCE) 寸法 (DIMENSION) × ± 0.8 × × ± 0.4 × × × ± 0.1 × × × × ±	角度 (ANGLES) ×° ± ×°×' ±	製図 DR. 担当 CHK. 査閲 APPD. 承認 APPD.	Y. SAITOU	名称 (TITLE) DX07B024JJ1	質量 (MASS)	

DCF-C-212H(12.08)

WISDOM承認 2015/06/30