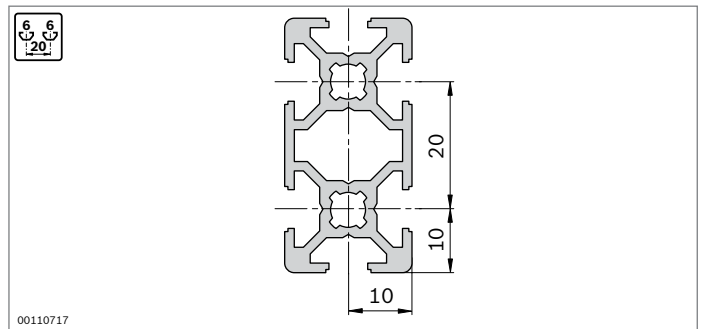
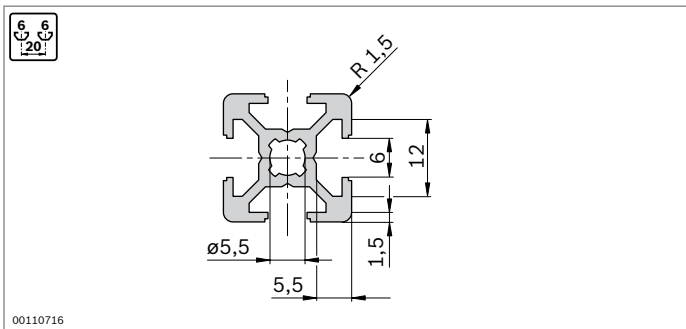


# Strut profiles with 6 mm slot

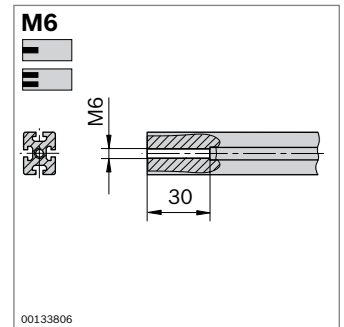
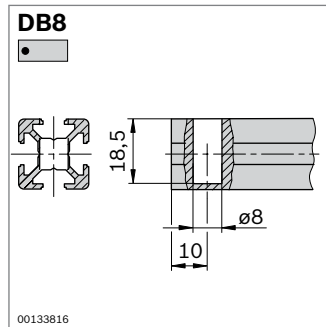
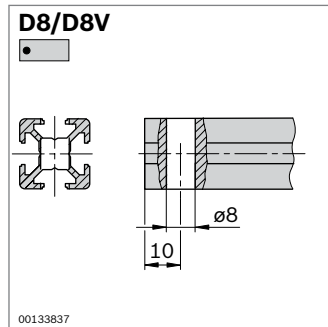
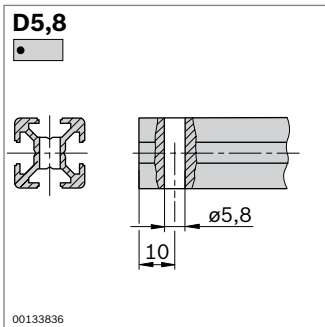
Strut profiles with 6 mm slot for light structures, such as supports and lab fixtures.

The 20x40 and 20x60 profiles are especially suitable for reinforcing; the 20x40x40 profile is suitable for constructing showcases, flow racks, and enclosures.

## Slot, modular dimensions, central bore



## Profile finishing

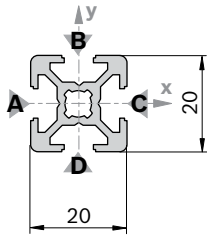


## Minimum profile lengths (mm) for Quick & Easy standard profile finishing on one or both sides

	-	M6	D5.8	D8/DB8
-	50	50	50	50
M6	50	70	50	70
D5.8	50	50	50	50
D8/DB8	50	70	50	50

**20x20**

A = 1,6 cm<sup>2</sup>  
 $I_x = 0,7 \text{ cm}^4$   
 $I_y = 0,7 \text{ cm}^4$   
 $W_x = 0,7 \text{ cm}^3$   
 $W_y = 0,7 \text{ cm}^3$   
 m = 0,4 kg/m

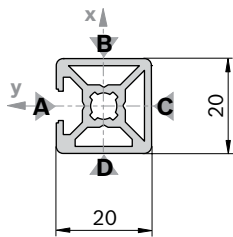


19168

Cover cap	Color	ESD	No.
20x20 (1x)	Signal gray		100 <b>3 842 548 742</b>
20x20 (1x)	Black		20 <b>3 842 548 743</b>
Material:	PP		

**20x20 1N**

A = 1,9 cm<sup>2</sup>  
 $I_x = 0,8 \text{ cm}^4$   
 $I_y = 0,8 \text{ cm}^4$   
 $W_x = 0,8 \text{ cm}^3$   
 $W_y = 0,8 \text{ cm}^3$   
 m = 0,5 kg/m

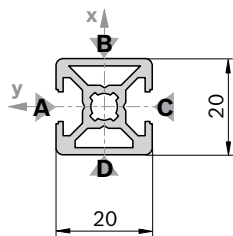


19169

Cover cap: See 20x20

**20x20 2N**

A = 1,8 cm<sup>2</sup>  
 $I_x = 0,7 \text{ cm}^4$   
 $I_y = 0,8 \text{ cm}^4$   
 $W_x = 0,7 \text{ cm}^3$   
 $W_y = 0,8 \text{ cm}^3$   
 m = 0,5 kg/m



19170

Cover cap: See 20x20

20x20	L (mm)	No.
1 pcs	50 ... 3000	<b>3 842 992 888 / L</b>
1 pcs M6	50 ... 3000	<b>3 842 993 230 / L</b>
1 pcs M6  M6	70 ... 3000	<b>3 842 993 231 / L</b>
1 pcs M6  D8	70 ... 3000	<b>3 842 993 494 / L</b>
1 pcs D8	50 ... 3000	<b>3 842 993 493 / L</b>
1 pcs D8  D8	50 ... 3000	<b>3 842 993 495 / L</b>
1 pcs D8  D8V	50 ... 3000	<b>3 842 993 496 / L</b>
20 pcs	3000	<b>3 842 517 179</b>

**Quick & Easy** (p. 2-8, see fold-out section)

20x20	No.
Length L (mm)	50 ... 3000
Standard profile finishing (note minimum length, p. 2-11)	M6 / D5.8 / D8 / DB8
Customized profile finishing (L <sub>max</sub> = 2300 mm)	DI / DIS / MT / MTS / MI / MIS / DG <sup>1)</sup>

<sup>1)</sup> DG<sub>max</sub> = 45°; L<sub>min1</sub> / L<sub>min2</sub> = 335 / 370 mm

20x20 1N	L (mm)	No.
1 pcs	50 ... 3000	<b>3 842 993 421 / L</b>
20 pcs	3000	<b>3 842 536 475</b>

**Quick & Easy** (p. 2-8, see fold-out section)

20x20 1N	No.
Length L (mm)	50 ... 3000
Standard profile finishing (note minimum length, p. 2-11)	M6 / D5.8 / D8 / DB8
Customized profile finishing (L <sub>max</sub> = 2300 mm)	DI / DIS / MT / MTS / MI / MIS / DG <sup>1)</sup>

<sup>1)</sup> DG<sub>max</sub> = 45°; L<sub>min1</sub> / L<sub>min2</sub> = 335 / 370 mm

20x20 2N	L (mm)	No.
1 pcs	50 ... 3000	<b>3 842 993 422 / L</b>
20 pcs	3000	<b>3 842 536 478</b>

**Quick & Easy** (p. 2-8, see fold-out section)

20x20 2N	No.
Length L (mm)	50 ... 3000
Standard profile finishing (note minimum length, p. 2-11)	M6 / D5.8 / D8 / DB8
Customized profile finishing (L <sub>max</sub> = 2300 mm)	DI / DIS / MT / MTS / MI / MIS / DG <sup>1)</sup>

<sup>1)</sup> DG<sub>max</sub> = 45°; L<sub>min1</sub> / L<sub>min2</sub> = 335 / 370 mm