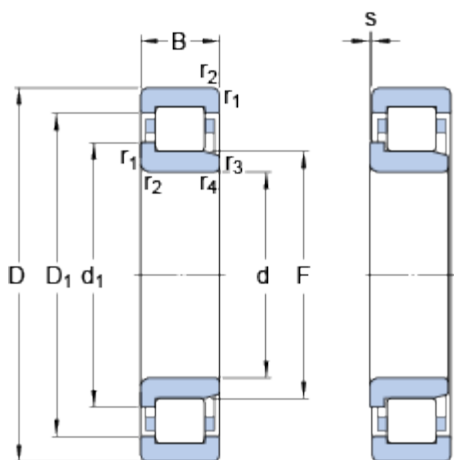


NJ 306 ECP

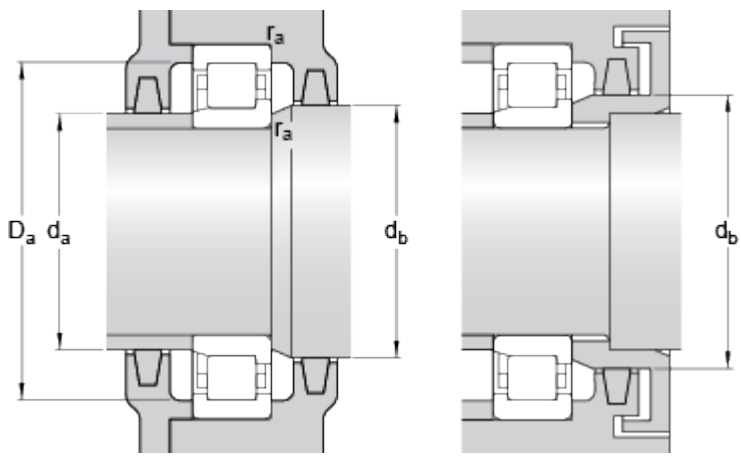
Popular item
SKF Explorer

Dimensions



d	30	mm
D	72	mm
B	19	mm
d ₁	≈ 45	mm
D ₁	≈ 58.35	mm
F	40.5	mm
r _{1,2}	min. 1.1	mm
r _{3,4}	min. 1.1	mm
s	max. 1.4	mm

Abutment dimensions



d _a	min. 37	mm
d _a	max. 39	mm
d _b	min. 47	mm
D _a	max. 65.1	mm
r _a	max. 1	mm

Calculation data

Basic dynamic load rating	C	58.5	kN
Basic static load rating	C ₀	48	kN
Fatigue load limit	P _u	6.2	kN
Reference speed		11000	r/min
Limiting speed		12000	r/min
Calculation factor	k _r	0.15	
Limiting value	e	0.2	
Axial load factor	Y	0.6	

Mass

Mass bearing		0.37	kg
--------------	--	------	----

Associated products

Angle ring

HJ 306 EC
