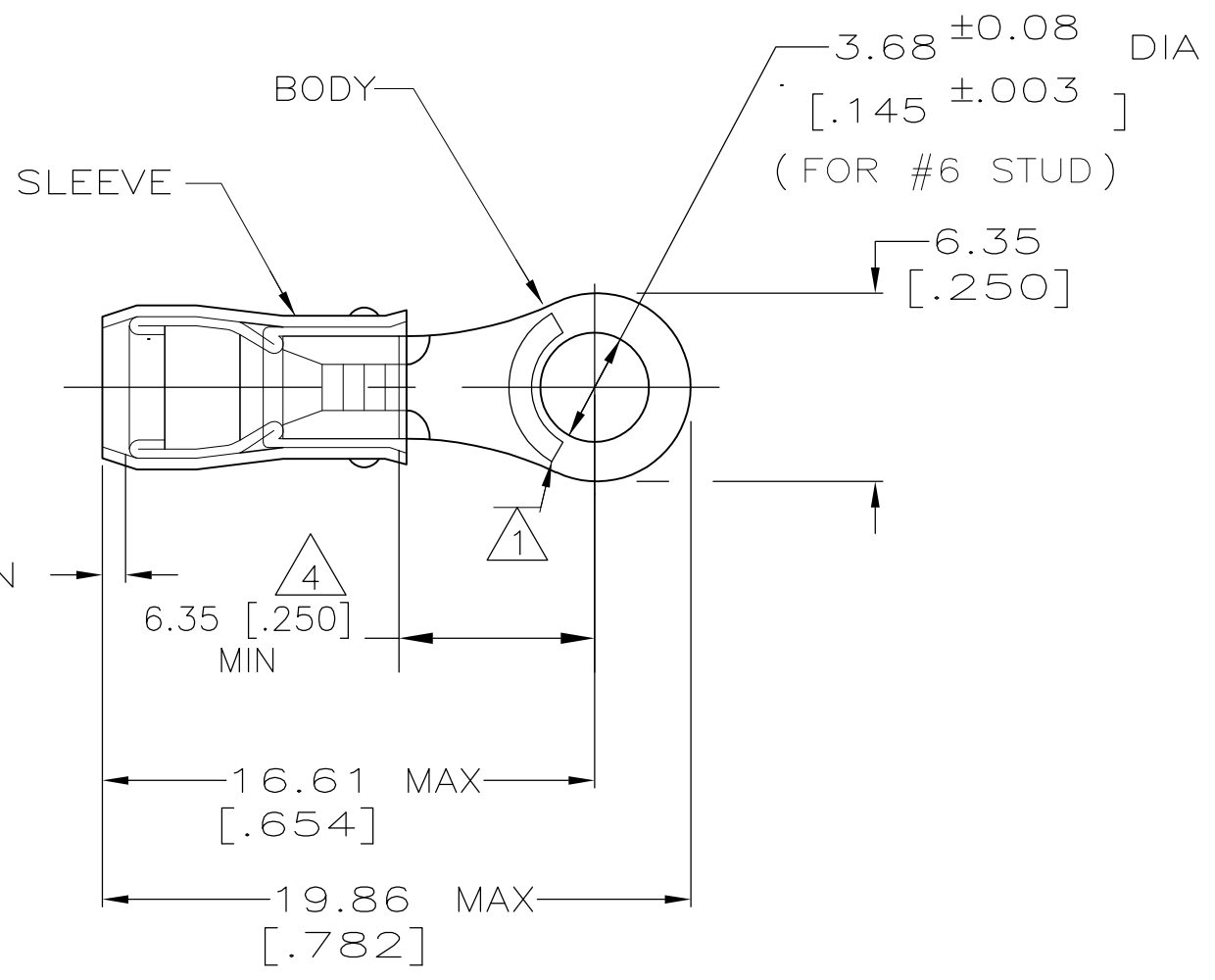


THIS DRAWING IS UNPUBLISHED. RELEASED FOR PUBLICATION
 © COPYRIGHT BY TYCO ELECTRONICS CORPORATION. ALL RIGHTS RESERVED.

| LOC | DIST | REVISIONS | | | | | |
|-----|------|-----------|-----|-----------------------|---------|-----|------|
| | | P | LTR | DESCRIPTION | DATE | DWN | APVD |
| G | 14 | | Z1 | REV PER ECR 07-029880 | 11DEC07 | JR | TM |

| | | |
|--------------------------------|--------------------------------|--------------------------------|
| AMP WIRE RANGE | Listed FILE E13288 | LR7189 Certified |
| 22-16 AWG SOLID OR STRANDED | 22-16 AWG SOLID OR STRANDED | 22-16 AWG SOLID OR STRANDED |



- 1 STAMP AMP 22-18* APPROX AS SHOWN
22-16 TERMINALS ARE STAMPED 22-18 IN ACCORDANCE WITH MILITARY SPEC MIL-T-7928
COMMERCIAL WIRE RANGE IS 22-16
- 2 WIRE INSULATION DIA: 2.03 - 3.18
[.080 - .125]
- 3 TONGUE MATERIAL THK: 0.79±0.05
[.031±.002]
- 4 DIMENSION APPLIES FROM EDGE OF METAL WIRE BARREL TO CENTER OF STUD HOLE.
- 5 BODY - COPPER PER ASTM B-152
SLEEVE - NYLON
- 6 BODY - TIN PLATE PER ASTM B545
SLEEVE - COLOR - RED

| MILITARY P/N AND CLASS | QTY | PACKAGE TYPE | PART NUMBER |
|----------------------------|------|------------------|-------------|
| -- | 100 | LOOSE PIECE, BOX | 7-51863-1 |
| MS25036-102 CLASS 2 | 5000 | ON TAPE, REEL | 51863-1 |
| MS25036-102 CLASS 1 & 2 | 1000 | LOOSE PIECE | 51863 |

| | | | | | | | | | |
|--|--|---|--|---|-----------------------------------|---|--------------------|-----------------------|--------------------|
| AMP INCORPORATED CUSTOMER SERVICE SYSTEMS | | MAX RECOMMENDED OPERATING TEMPERATURE: 105°C MAX | THIS DRAWING IS A CONTROLLED DOCUMENT. | | DWN DK SCHRUM 9/8/93 | Tyco Electronics Corporation Harrisburg, PA 17105-3608 | | | |
| FOR ADDITIONAL PRODUCT INFORMATION OR COPIES OF DRAWINGS AND TECHNICAL DOCUMENTS | PRODUCT INFORMATION CENTER 1-800-522-6752 | VOLTAGE RATING: 300V MAX | DIMENSIONS: MM [INCHES] | TOLERANCES UNLESS OTHERWISE SPECIFIED: | CHKY RE HERSEY 9/8/93 | NAME M BARNABA | | | |
| FOR APPLICATION TOOLING INFORMATION | TOOLING ASSISTANCE CENTER 1-800-722-1111 | CIRCULAR MIL AREA: 0.26-1.65mm² [509-3260] CIR MILS SOLID OR STRANDED | | 0 PLC ± - 1 PLC ± - 2 PLC ± 0.20 [.008] 3 PLC ± - 4 PLC ± - ANGLES ± - | APVD M BARNABA 9/8/93 | PRODUCT SPEC UL 486A | | | |
| FOR ORDER ENTRY | 1-800-526-5142 | THIS DRAWING IS A CONTROLLED DOCUMENT FOR AMP INCORPORATED. IT IS SUBJECT TO CHANGE AND THE CONTROLLING ENGINEERING ORGANIZATION SHOULD BE CONTACTED FOR THE LATEST REVISION. | MATERIAL - 5 | FINISH - 6 | APPLICATION SPEC NOT AVAILABLE | SIZE A3 | CAGE CODE 00779 | DRAWING NO C-51863 | RESTRICTED TO - |
| | | | | | CUSTOMER DRAWING | SCALE NTS | SHEET 1 OF 2 | REV Z1 | |

THIS DRAWING IS UNPUBLISHED. RELEASED FOR PUBLICATION
 © COPYRIGHT BY TYCO ELECTRONICS CORPORATION. ALL RIGHTS RESERVED.

| LOC | DIST | REVISIONS | | | | | |
|-----|------|-----------|-----|-------------|------|-----|------|
| G | 14 | P | LTR | DESCRIPTION | DATE | DWN | APVD |
| | | - | | SEE SHEET 1 | - | - | - |

AMP
WIRE RANGE

SEE TABLE
STRANDED

1 STAMP AMP APPROX AS SHOWN
SEE TABLE BELOW

2 WIRE INSULATION DIA:

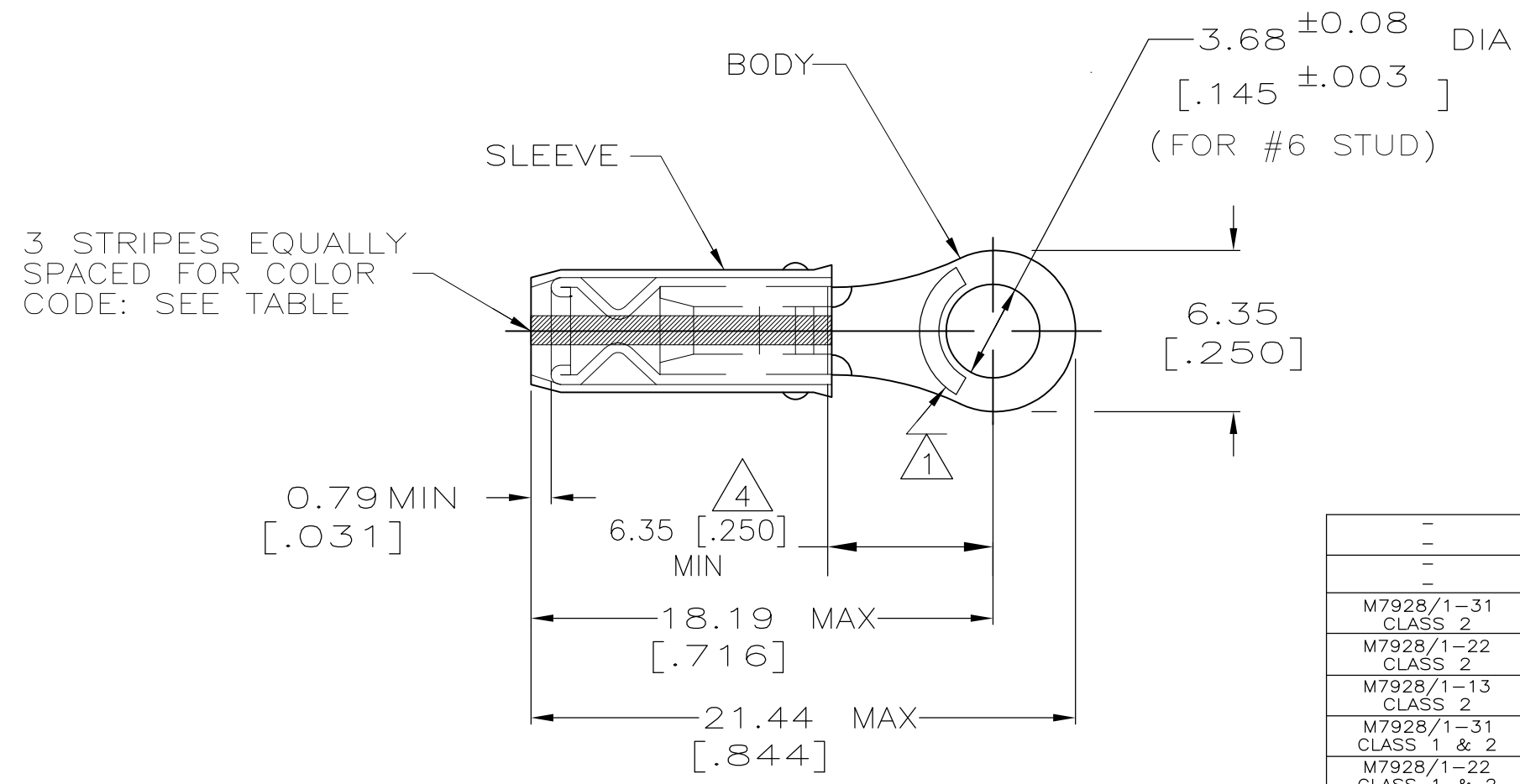
| | |
|---------------|------------|
| 0.97 - 2.79 | FOR 22 AWG |
| [.038 - .110] | |
| 1.17 - 2.79 | FOR 20 AWG |
| [.046 - .110] | |
| 1.42 - 2.79 | FOR 18 AWG |
| [.056 - .110] | |

3 TONGUE MATERIAL THK: 0.79±0.05
[.031±.002]

4 DIMENSION APPLIES FROM EDGE OF METAL
WIRE BARREL TO CENTER OF STUD HOLE.

5 BODY - COPPER PER ASTM B-152
SLEEVE - NYLON

6 BODY - TIN PLATE PER ASTM B545
SLEEVE - COLOR - RED



3 STRIPES EQUALLY
SPACED FOR COLOR
CODE: SEE TABLE

| MILITARY P/N AND CLASS | STRIPE COLOR | 1 STAMPING | WIRE SIZE | QTY | PACKAGE TYPE | PART NO. |
|------------------------|--------------|------------|-----------|------|------------------|-----------|
| - | WHITE | 18* | 18 | 100 | LOOSE PIECE, BOX | 9-51863-1 |
| - | GREEN | 22* | 22 | 100 | LOOSE PIECE, BOX | 8-51863-1 |
| M7928/1-31 CLASS 2 | WHITE | 18* | 18 | 5000 | ON TAPE, REEL | 51863-7 |
| M7928/1-22 CLASS 2 | RED | 20* | 20 | 5000 | ON TAPE, REEL | 51863-6 |
| M7928/1-13 CLASS 2 | GREEN | 22* | 22 | 5000 | ON TAPE, REEL | 51863-5 |
| M7928/1-31 CLASS 1 & 2 | WHITE | 18* | 18 | 1000 | LOOSE PIECE | 51863-4 |
| M7928/1-22 CLASS 1 & 2 | RED | 20* | 20 | 1000 | LOOSE PIECE | 51863-3 |
| M7928/1-13 CLASS 1 & 2 | GREEN | 22* | 22 | 1000 | LOOSE PIECE | 51863-2 |

| | | | | | | | | | | | |
|--|--|---|--|--|-----------------------------|---|--------------------|-----------------------|--------------|-----------------|-----------|
| AMP INCORPORATED CUSTOMER SERVICE SYSTEMS | | MAX RECOMMENDED OPERATING TEMPERATURE: 105°C | THIS DRAWING IS A CONTROLLED DOCUMENT. | | DWN DK SCHRUM 9/8/93 | Tyco Electronics Corporation Harrisburg, PA 17105-3608 | | | | | |
| FOR ADDITIONAL PRODUCT INFORMATION OR COPIES OF DRAWINGS AND TECHNICAL DOCUMENTS | PRODUCT INFORMATION CENTER 1-800-522-6752 | VOLTAGE RATING: 300V MAX | DIMENSIONS: MM [INCHES] | TOLERANCES UNLESS OTHERWISE SPECIFIED: | CHK RE HERSEY 9/8/93 | NAME M BARNABA | | | | | |
| FOR APPLICATION TOOLING INFORMATION | TOOLING ASSISTANCE CENTER 1-800-722-1111 | WIRE RANGE CIR MIL AREA: 22 0.38mm² [754] 20 0.60mm² [1,186] 18 0.96mm² [1,900] STRANDED | | 0 PLC ± - 1 PLC ± - 2 PLC ± 0.20[.008] 3 PLC ± - 4 PLC ± - ANGLES ± - | APVD M BARNABA 9/8/93 | TERMINAL, RING TONGUE, I.R., PIDG, WIRE SIZE 22-16 AWG | | | | | |
| FOR ORDER ENTRY | 1-800-526-5142 | THIS DRAWING IS A CONTROLLED DOCUMENT FOR AMP INCORPORATED. IT IS SUBJECT TO CHANGE AND THE CONTROLLING ENGINEERING ORGANIZATION SHOULD BE CONTACTED FOR THE LATEST REVISION. | MATERIAL - 5 | FINISH - 6 | PRODUCT SPEC - | APPLICATION SPEC NOT AVAILABLE | RESTRICTED TO - | | | | |
| | | | CUSTOMER DRAWING | | WEIGHT - | SIZE A3 | CAGE CODE 00779 | DRAWING NO G-51863 | SCALE NTS | SHEET 2 OF 2 | REV Z1 |