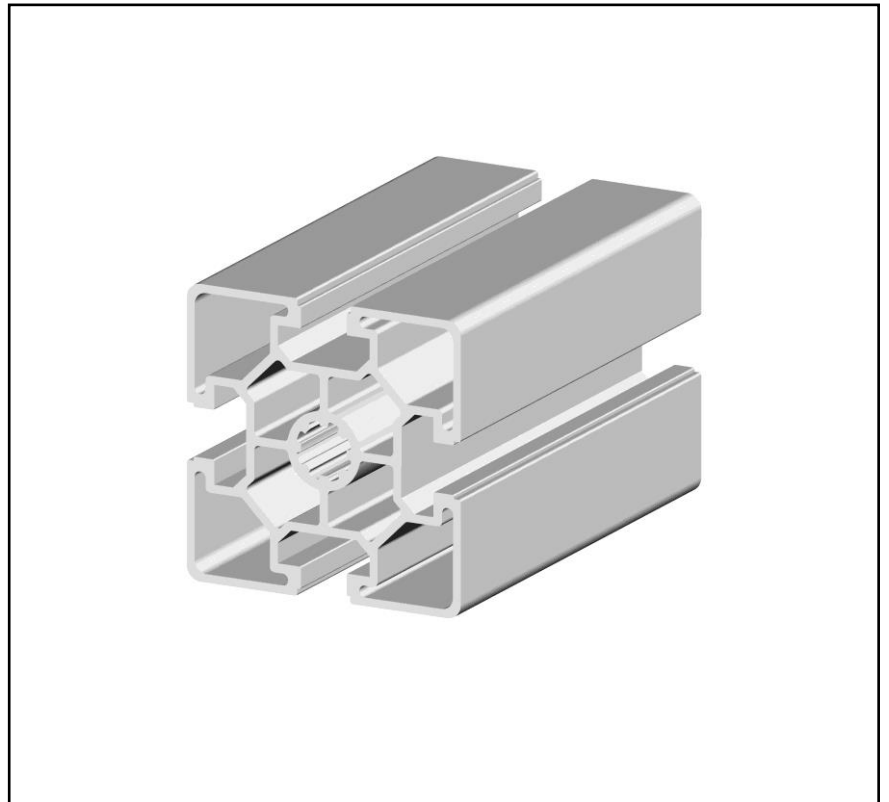


Features

- Light-weight aluminium alloy
- Suitable for cut to length application
- Structural element type: Strut Profile
- Compatible with support and connector accessories

RS PRO Strut Profile Type B, 60x60L, 10 mm Groove, 2000 mm Length

RS Stock No.: 0766826



RS Professionally Approved Products bring to you professional quality parts across all product categories. Our product range has been tested by engineers and provides a comparable quality to the leading brands without having a premium price.

Product Description

RS PRO aluminium profiles offer a modular solution for building structures, frameworks and workstations. A large number of components and connectors allow you to choose from a wide range of applications. The modular system includes different profile types and lengths of 1 m, 2 m and 3 m with different cross-sections and groove-sizes in grid dimensions from 20 mm to 90 mm.

General Specifications

Structural Element Type	Strut Profile / Aluminium Profile
Number of Grooves	4
Material	Aluminium anodized
Colour	Silver
Product System	Construction, Workstations, Industrial equipment, Automotive manufacturing

Mechanical Specifications

Strut Profile	60 x 60 mm
Length	2000 mm
Groove Size	10 mm
Mass (G)	2.57 kg/m
Moment of Inertia (Ix, Iy)	31.71 cm ⁴
Section Modulus (Wx, Wy)	10.57 cm ³

Compatible Accessories for Groove

Stock No.	Items
276-8159	RS PRO Uniblock 25, Black Slot 10
276-8160	RS PRO Slot 10, Roll in T-Slot Nut, with Spring, M5
276-8161	RS PRO Slot 10, Roll in T-Slot Nut, with Spring, M6
276-8162	RS PRO Slot 10, Roll in T-Slot Nut, with Spring, M8
276-8171	RS PRO Slot 10, Hammer Nut, M4
276-8172	RS PRO Slot 10, Hammer Nut, M5
276-8173	RS PRO Slot 10, Hammer Nut, M6
276-8176	Slot 10, Hammer Head Screw, M8x20
276-8177	Slot 10, Hammer Head Screw, M8x25
276-8178	Slot 10, Hammer Head Screw, M8x30
276-8179	Slot 10, Hammer Head Screw, M8x25
276-8181	Central Connector, Slot 10, 0°
276-8182	Central Connector, Slot 10, 90°
276-8187	Cover Profile, Slot 10, Black
276-8188	Cover Profile, Slot 10, Grey

Dimetional Diagram

